

5-1814821-3 **x** OBSOLETE

TE Internal #: 5-1814821-3

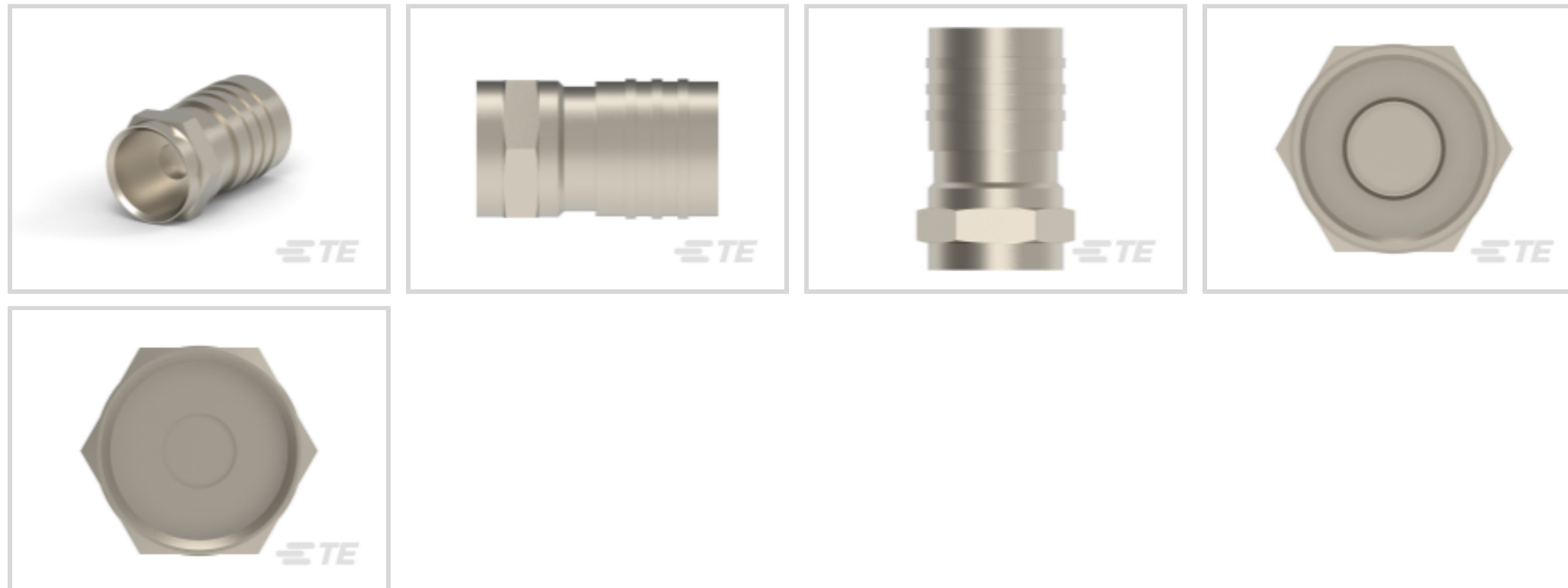
TE Internal Description: F Type Str Plg Hex 75 Ohm RG6/U

F Type Connector: Jack, Right-Angle, Elbow Jack PCB, 75 Ohm

[View on TE.com >](#)



Connectors > RF Connectors > Coax Connectors > F Type Connector: Jack, Right-Angle, Elbow Jack PCB, 75 Ohm



RF Interface: **F Type**

RF Connector Style: **Plug**

RF Connector Mated Outer Diameter (Approximate): **11.2 mm [.44 in]**

Impedance: **75 Ω**

Compatible With RF Cable Type: **RG 6**

[All F Type Connector: Jack, Right-Angle, Elbow Jack PCB, 75 Ohm \(0\)](#)

Features

Product Type Features

RF Interface	F Type
RF Connector Style	Plug
Compatible With RF Cable Type	RG 6
Connector System	Cable-to-Board
Sealable	No
Connector & Contact Terminates To	Wire & Cable

Configuration Features

Number of Positions	1
Number of Coaxial Contacts	1

Electrical Characteristics

Impedance	75 Ω
-----------	-------------

Body Features

Cable Connector Orientation	Straight
-----------------------------	----------



Body Material	Brass
---------------	-------

Body Plating Material	Nickel
-----------------------	--------

Contact Features

Crimp Type	Hexagonal Crimping
------------	--------------------

Termination Features

Termination Method to Wire & Cable	Crimp
------------------------------------	-------

Mechanical Attachment

RF Connector Coupling Mechanism	Screw
---------------------------------	-------

Connector Mounting Type	Panel Mount
-------------------------	-------------

RF Contact Captivation Method	Mechanical
-------------------------------	------------

Detent	Without
--------	---------

Dimensions

RF Connector Mated Outer Diameter (Approximate)	11.2 mm[.44 in]
---	-----------------

Usage Conditions

Operating Temperature Range	-55 – 85 °C[-67 – 185 °F]
-----------------------------	---------------------------

Operation/Application

Operating Frequency	1 GHz
---------------------	-------

Packaging Features

Packaging Method	Box
------------------	-----

Product Compliance

[For compliance documentation, visit the product page on TE.com>](#)

EU RoHS Directive 2011/65/EU	Compliant
------------------------------	-----------

EU ELV Directive 2000/53/EC	Compliant with Exemptions
-----------------------------	---------------------------

China RoHS 2 Directive MIIT Order No 32, 2016	No Restricted Materials Above Threshold
---	---

EU REACH Regulation (EC) No. 1907/2006	Current ECHA Candidate List: JUNE 2024 (241) Candidate List Declared Against: JUL 2021 (219) Does not contain REACH SVHC
--	--

Halogen Content	Low Halogen - Br, Cl, F, I < 900 ppm per homogenous material. Also BFR/CFR/PVC Free
-----------------	---

Solder Process Capability	Not applicable for solder process capability
---------------------------	--

Product Compliance Disclaimer

This information is provided based on reasonable inquiry of our suppliers and represents our current actual knowledge based on the information they provided. This information is subject to change. The part numbers that TE has identified as EU RoHS compliant have a maximum concentration of 0.1% by weight in homogenous materials for lead, hexavalent chromium, mercury, PBB, PBDE, DBP, BBP, DEHP, DIBP, and 0.01% for cadmium, or qualify for an exemption to these limits as defined in the Annexes of Directive 2011/65/EU (RoHS2). Finished electrical and electronic equipment products will be CE marked as required by Directive 2011/65/EU. Components may not be CE marked. Additionally, the part numbers that TE has identified as EU ELV compliant have a maximum concentration of 0.1% by weight in homogenous materials for lead, hexavalent chromium, and mercury, and 0.01% for cadmium, or qualify for an exemption to these limits as defined in the Annexes of Directive 2000/53/EC (ELV). Regarding the REACH Regulation, the information TE provides on SVHC in articles for this part number is based on the latest European Chemicals Agency (ECHA) 'Guidance on requirements for substances in articles' posted at this URL: <https://echa.europa.eu/guidance-documents/guidance-on-reach>

Customers Also Bought



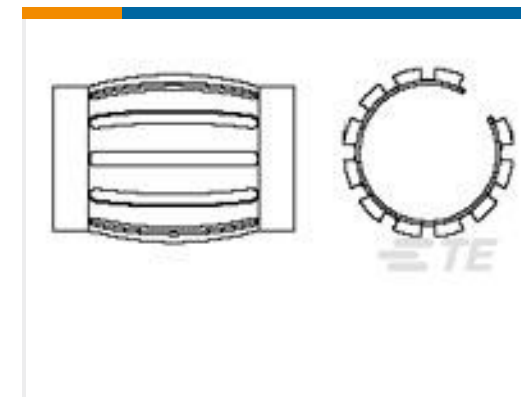
TE Part #537637P041
SCT-NO.3-E3-0-STK



TE Part #1393139-2
MDR-131-1=MDR



TE Part #843056-000
101A073-3-0



TE Part #2-192039-7
LA3S,.311,.008 UNPLATED



TE Part #4-2176364-1
RQ 0402 12K1 0.1% 10PPM 5K RL



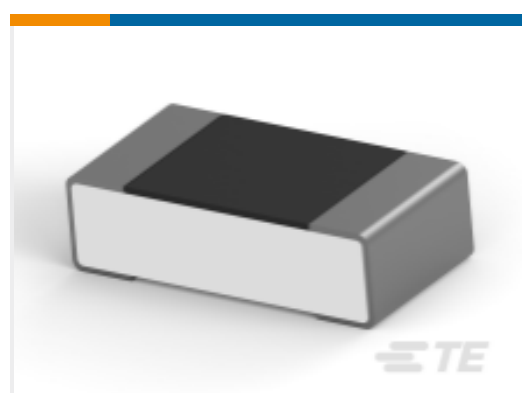
TE Part #6-2176378-0
RQ 0805 41R2 0.1% 10PPM 5K RL



TE Part #YDTS26W11-02SNV001
PLUG ASSY



TE Part #5-1814822-7
F Type Str Plg T/O 75 Ohm CT125



TE Part #3-2176368-7
RQ 0603 118K 0.1% 10PPM 1K RL



TE Part #6457567-4
ASSY, ADPTR, DUP, LC, SR BLUE

Documents

Product Drawings

F Type Str Plg Hex 75 Ohm RG6/U

English

CAD Files

Customer View Model



[ENG_CVM_CVM_5-1814821-3_B.2d_dxf.zip](#)

English

[3D PDF](#)

3D

Customer View Model

[ENG_CVM_CVM_5-1814821-3_B.3d_igs.zip](#)

English

Customer View Model

[ENG_CVM_CVM_5-1814821-3_B.3d_stp.zip](#)

English

By downloading the CAD file I accept and agree to the [Terms and Conditions](#) of use.

Product Specifications

[Economy RF Coaxial Connectors](#)

English

[Product Specification](#)

English