

5-1761184-1 ✓ ACTIVE



## AMPLIMITE

TE Internal #: 5-1761184-1

SDL Connectors, Plug, Flat Ribbon Cable, 24 AWG Wire Size, .2 mm<sup>2</sup> / .205 mm<sup>2</sup> Wire Size, Cable-to-Board, 4 Position, .05 in [1.27 mm] Centerline

[View on TE.com >](#)

Connectors > Audio & Video Connectors > SDL Connectors



Connector & Housing Type: **Plug**

Compatible With Wire & Cable Type: **Flat Ribbon Cable**

Wire Size: **.2 mm<sup>2</sup>, .205 mm<sup>2</sup>**

Connector System: **Cable-to-Board**

## Features

### Product Type Features

|                                   |                |
|-----------------------------------|----------------|
| Receptacle Configuration          | Standard       |
| Connector & Housing Type          | Plug           |
| Connector System                  | Cable-to-Board |
| Connector & Contact Terminates To | Wire & Cable   |

### Configuration Features

|                                   |                   |
|-----------------------------------|-------------------|
| Compatible With Wire & Cable Type | Flat Ribbon Cable |
| Number of Positions               | 4                 |

### Body Features

|                         |                 |
|-------------------------|-----------------|
| Shield Plating Material | Tin over Nickel |
| Shield Material         | Brass           |

### Contact Features

|                                      |              |
|--------------------------------------|--------------|
|                                      | 50 μin       |
| Contact Mating Area Plating Material | Gold         |
| Contact Base Material                | Copper Alloy |



|                              |       |
|------------------------------|-------|
| Contact Current Rating (Max) | 1.5 A |
|------------------------------|-------|

### Mechanical Attachment

|                         |                            |
|-------------------------|----------------------------|
| PCB Mount Retention     | Without                    |
| Polarization Code       | E                          |
| Connector Mounting Type | Cable Mount (Free-Hanging) |

### Housing Features

|                    |                  |
|--------------------|------------------|
| Housing Material   | Polycarbonate GF |
| Housing Color      | Smoke Gray       |
| Centerline (Pitch) | 1.27 mm [.05 in] |

### Dimensions

|                                     |   |
|-------------------------------------|---|
| Conductor Insulation Diameter Range | 1.27 mm [.05 in]                          |
| Wire Size                           | .2 mm <sup>2</sup> , .205 mm <sup>2</sup> |

### Usage Conditions

|                             |                           |
|-----------------------------|---------------------------|
| Operating Temperature Range | -20 – 80 °C [-4 – 176 °F] |
|-----------------------------|---------------------------|

### Operation/Application

|                     |        |
|---------------------|--------|
| Circuit Application | Signal |
|---------------------|--------|

## Product Compliance

[For compliance documentation, visit the product page on TE.com>](#)

|   |   |
|---|---|
| EU RoHS Directive 2011/65/EU                  | Compliant   |
| EU ELV Directive 2000/53/EC                   | Compliant   |
| China RoHS 2 Directive MIIT Order No 32, 2016 | No Restricted Materials Above Threshold   |
| EU REACH Regulation (EC) No. 1907/2006        | Current ECHA Candidate List: JUNE 2024 (241)<br>Candidate List Declared Against: JUNE 2024 (241)<br>Does not contain REACH SVHC |
| Halogen Content                               | Not Low Halogen - contains Br or Cl > 900 ppm.  |
| Solder Process Capability                     | Not applicable for solder process capability  |

#### Product Compliance Disclaimer

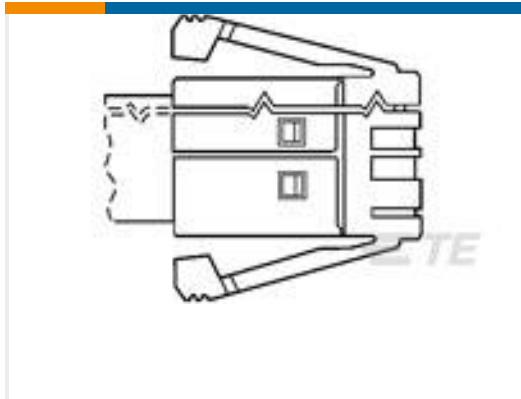
This information is provided based on reasonable inquiry of our suppliers and represents our current actual knowledge based on the information they provided. This information is subject to change. The part numbers that TE has identified as EU RoHS compliant have a maximum concentration of 0.1% by weight in homogenous materials for lead, hexavalent chromium, mercury, PBB, PBDE, DBP, BBP, DEHP, DIBP, and 0.01% for cadmium, or qualify for an exemption to these limits as defined in the Annexes of Directive 2011/65/EU (RoHS2). Finished electrical and electronic equipment products

will be CE marked as required by Directive 2011/65/EU. Components may not be CE marked. Additionally, the part numbers that TE has identified as EU ELV compliant have a maximum concentration of 0.1% by weight in homogenous materials for lead, hexavalent chromium, and mercury, and 0.01% for cadmium, or qualify for an exemption to these limits as defined in the Annexes of Directive 2000/53/EC (ELV). Regarding the REACH Regulation, the information TE provides on SVHC in articles for this part number is based on the latest European Chemicals Agency (ECHA) 'Guidance on requirements for substances in articles' posted at this URL: <https://echa.europa.eu/guidance-documents/guidance-on-reach>

## Compatible Parts



TE Part # 5-1761185-1  
4 SDL SE GRND RCPT ASSY



TE Part # 3-1761192-1  
4 SDL FLAT PLUG ASSY

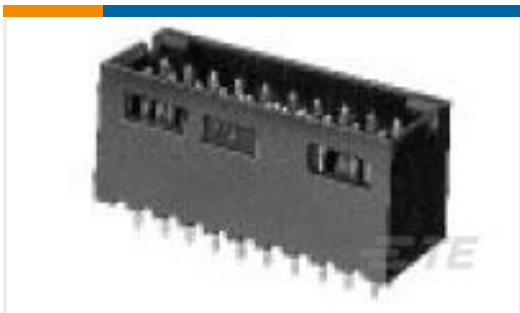
## Customers Also Bought



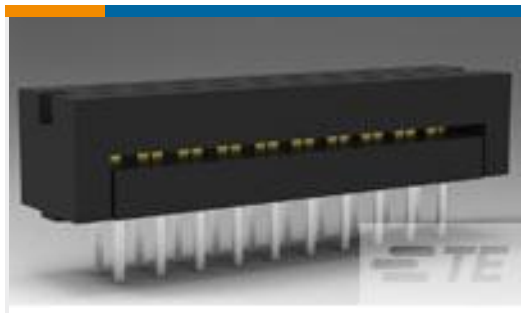
TE Part #5413879-1  
JACK ASSY, RTANG, BNC



TE Part #3-1879378-1  
TLR 2512 1.0W R0025 1% 150PPM 2K RL



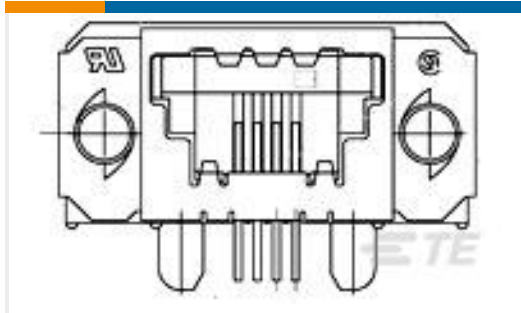
TE Part #5-102618-3  
10 MODII HDR DRST SHRD .100CL



TE Part #1-746610-4  
16 DIP PLUG, 100CL, LEAD FREE



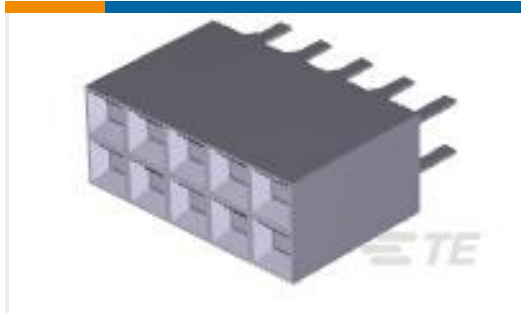
TE Part #5145098-1  
CONNECTOR ASSEMBLY, DUAL POSIT



TE Part #5-1761185-1  
4 SDL SE GRND RCPT ASSY



TE Part #9-1437657-8  
8PCV-06-006=#8 TRIBARRIER



TE Part #5-534206-5  
10 MODII VRT DR CE 100/115



TE Part #4-1393779-4  
V23101D1106B201(stronger packaging)

## Documents

### Product Drawings



#### 4 SDL FLAT PLUG ASSY

English

---

#### CAD Files

##### 3D PDF

3D

##### Customer View Model

[ENG\\_CVM\\_CVM\\_5-1761184-1\\_A.2d\\_dxf.zip](#)

English

##### Customer View Model

[ENG\\_CVM\\_CVM\\_5-1761184-1\\_A.3d\\_igs.zip](#)

English

##### Customer View Model

[ENG\\_CVM\\_CVM\\_5-1761184-1\\_A.3d\\_stp.zip](#)

English

By downloading the CAD file I accept and agree to the [Terms and Conditions](#) of use.

---

#### Product Specifications

##### Application Specification

English

---

#### Instruction Sheets

##### Instruction Sheet (U.S.)

English