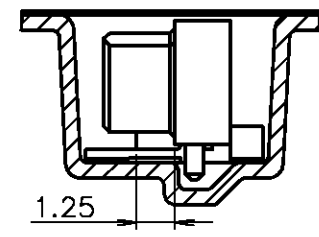
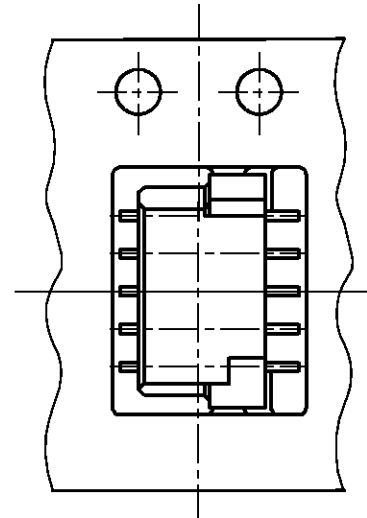
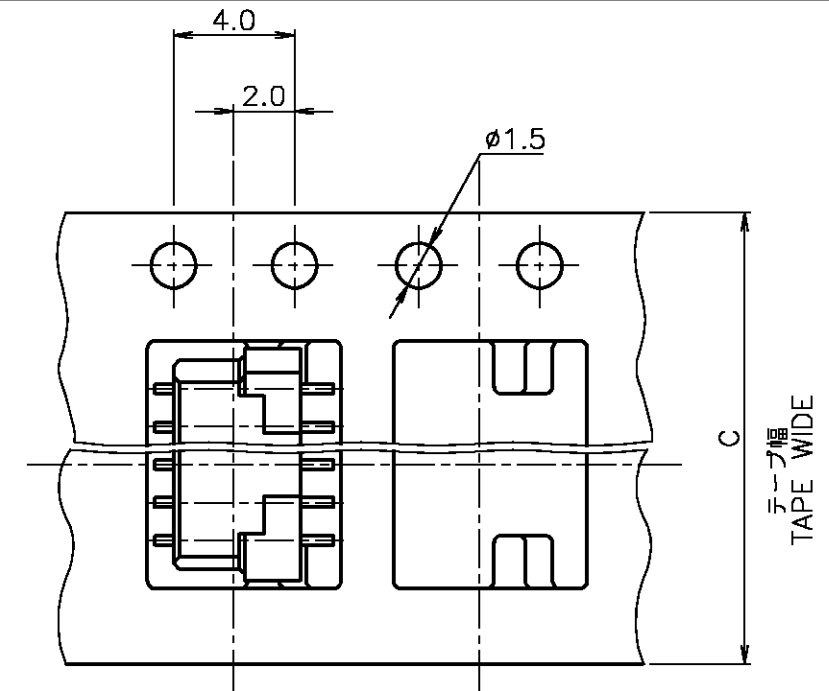
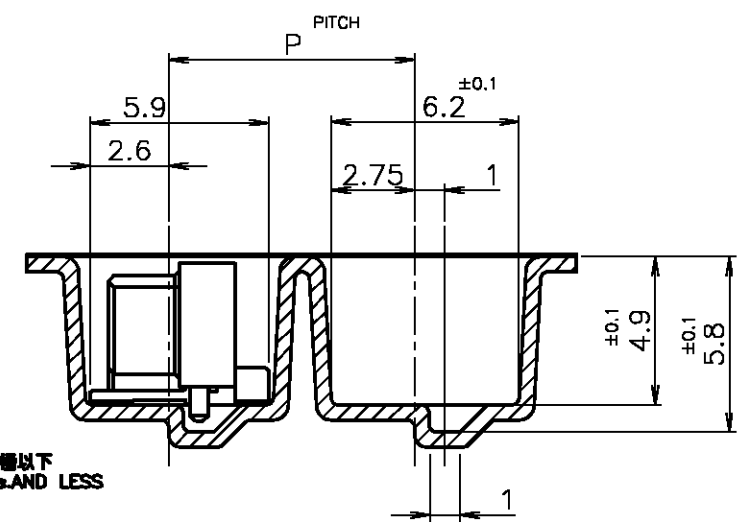


THIS DRAWING IS UNPUBLISHED. RELEASED FOR PUBLICATION
 © COPYRIGHT BY TYCO ELECTRONICS CORPORATION. ALL RIGHTS RESERVED.

LOC	DIST	REVISIONS			
P	LTR	DESCRIPTION	DATE	DWN	APVD
J		G REVISED	FJB0-0261-03	09MAY03	T.T.H.M

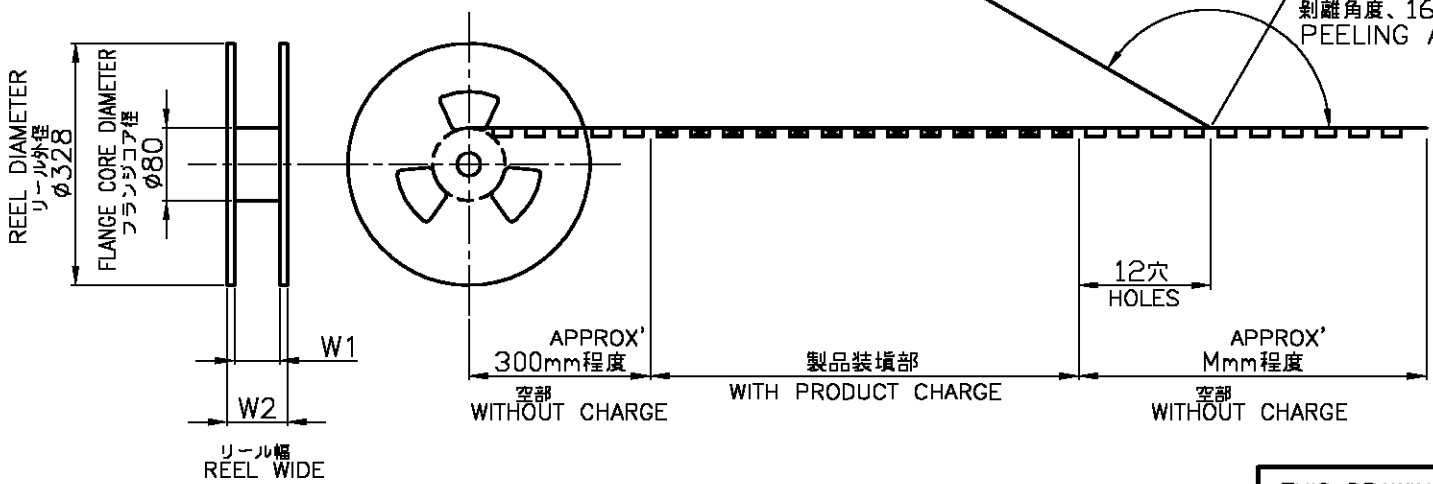


22,24 極リブ低背型
22,24 Pos.(IMPROVED TYPE)



20 個以下 20 Pos. AND LESS

Fig-1



								24	2-	-4	5-	-4	5-	-4
								22	2-	-2	5-	-2	5-	-2
								20	2-	-0	5-	-0	5-	-0
								18	1-	-8	4-	-8	4-	-8
29	26	600	12	24	1000	16	1-	-6	4-	-6	4-	-6	4-	-6
						14	1-	-4	4-	-4	4-	-4	4-	-4
						12	1-	-2	4-	-2	4-	-2	4-	-2
						10	1-912051-0	4-	-0	4-	-0	4-	-0	4-
21	18	300	8	16	1500	6	6-912053-6	3-174640-6	3-175639-6					
W ₂	W ₁	M	P	C	巻数 QTY/REEL	極数 Pos.	エンボステープ型番 EMBOSS TAPE P/N	コネクタ型番 (P/N) CONNCTOR P/N	リール巻 コネクタ型番 TAPING P/N					

注記:
 △ 包装規格 : 107-5123-1
 NOTES:
 △ PACKING SPEC : 107-5123-1

THIS DRAWING IS A CONTROLLED DOCUMENT.

DWN	J.TANIGAWA	28MAY88	 Tyco Electronics AMP K.K. Kawasaki, Japan
CHK	S.KIKUCHI	30MAY88	
APVD	N.ONOUE	30MAY88	
PRODUCT SPEC			
APPLICATION SPEC	NAME: ON TAPING (EMBOSS) 1.25 F-P CONNECTOR (B-TO-B) DOUBLE ROW REC HDR ASS'Y (H) SMT TYPE WITH BOSS		
MATERIAL	FINISH	WEIGHT	SIZE: A3 CAGE CODE: 00779 DRAWING NO: C-175639 RESTRICTED TO: -
CUSTOMER DRAWING			SCALE: NON SHEET: 1 OF 1 REV: G