

5-160555-1 ✓ ACTIVE

FASTON | FASTON 110

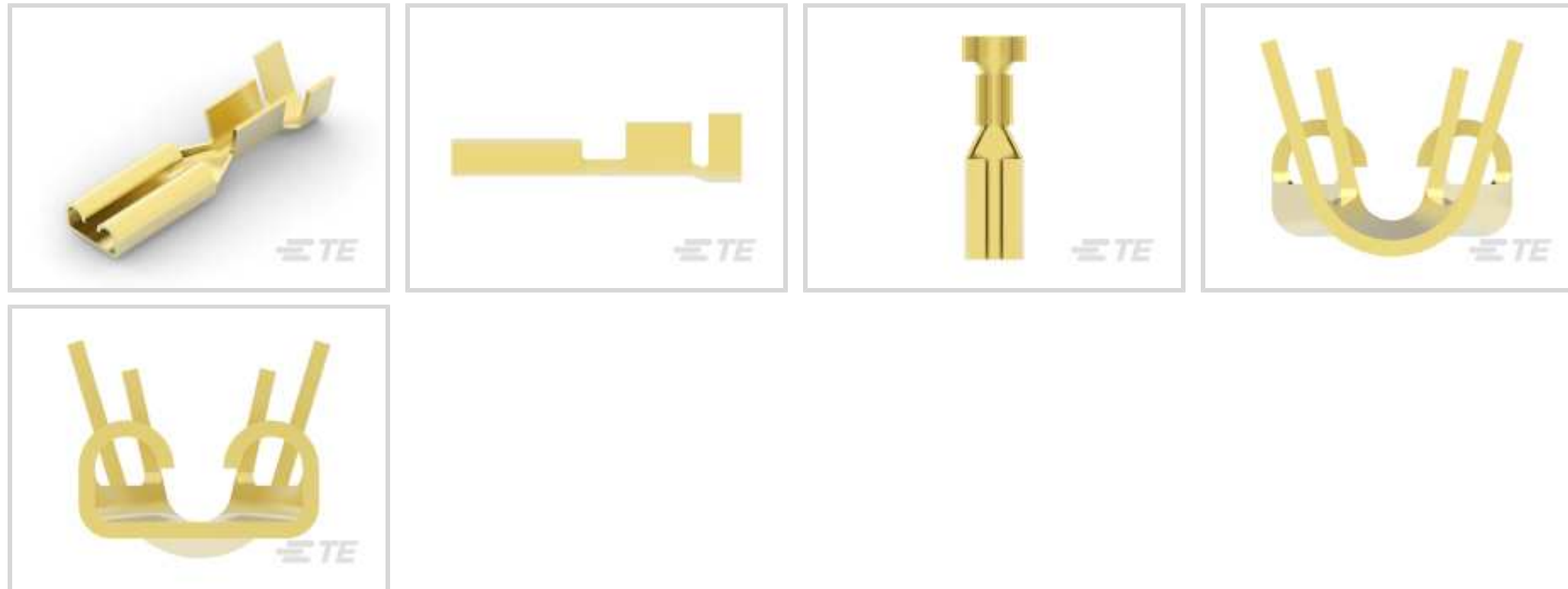
TE Internal #: 5-160555-1

FASTON 110, Quick Disconnects, Receptacle, 20 – 17 AWG, .51 – 1.03 mm<sup>2</sup>, Mating Tab Width 2.8 mm [.11 in], Mating Tab Thickness .81 mm [.032 in]

[View on TE.com >](#)



Terminals & Splices > Quick Disconnects



Terminal & Splice Type: **Receptacle**

Wire Size: .51 – 1.03 mm<sup>2</sup>

Mating Tab Width: 2.8 mm [.11 in]

Mating Tab Thickness: .81 mm [.032 in]

## Features

### Product Type Features

Wire Stop	No
Wire/Cable Type	Regular Wire
Terminates To	Wire & Cable
Insertion Force	Normal
Sealable	No
Insulated	No

### Configuration Features

Connection Capacity	Single
---------------------	--------

### Body Features

Fully Insulated	No
Plating Material	Unplated

### Contact Features

Terminal Type	Receptacle
Terminal & Splice Type	Receptacle



Terminal Orientation	Straight
Contact Base Material	Brass
Crimp Type	F-Crimp
Barrel Type	Open

### Mechanical Attachment

Mating Retention Type	Dimple
Wire Insulation Support	With

### Dimensions

Accepts Wire Insulation Diameter Range	2.03 – 3 mm [.08 – .118 in]
Overall Length	14 mm [.551 in]
Receptacle Terminal Stock Thickness	.25 mm [.01 in]
Wire Size	.51 – 1.03 mm <sup>2</sup>
Mating Tab Width	2.8 mm [.11 in]
Mating Tab Thickness	.81 mm [.032 in]

### Usage Conditions

Operating Temperature Range	-40 – 110 °C [-40 – 230 °F]
-----------------------------	-----------------------------

### Industry Standards

UL Rating	Listed
CSA Certified	Yes

### Packaging Features

Packaging Quantity	10000
Packaging Method	Strip/Reel

### Product Compliance

[For compliance documentation, visit the product page on TE.com>](#)

EU RoHS Directive 2011/65/EU	Compliant
EU ELV Directive 2000/53/EC	Compliant
China RoHS 2 Directive MIIT Order No 32, 2016	No Restricted Materials Above Threshold
EU REACH Regulation (EC) No. 1907/2006	Current ECHA Candidate List: JAN 2020 (205) Candidate List Declared Against: JUL 2019 (201) Does not contain REACH SVHC
EU REACH Regulation (EC) No. 1907/2006	



	Current ECHA Candidate List: JAN 2020 (205) Candidate List Declared Against: JUL 2019 (201)
Halogen Content	Low Halogen - Br, Cl, F, I < 900 ppm per homogenous material. Also BFR/CFR/PVC Free
Solder Process Capability	Not applicable for solder process capability

Product Compliance Disclaimer

This information is provided based on reasonable inquiry of our suppliers and represents our current actual knowledge based on the information they provided. This information is subject to change. The part numbers that TE has identified as EU RoHS compliant have a maximum concentration of 0.1% by weight in homogenous materials for lead, hexavalent chromium, mercury, PBB, PBDE, DBP, BBP, DEHP, DIBP, and 0.01% for cadmium, or qualify for an exemption to these limits as defined in the Annexes of Directive 2011/65/EU (RoHS2). Finished electrical and electronic equipment products will be CE marked as required by Directive 2011/65/EU. Components may not be CE marked. Additionally, the part numbers that TE has identified as EU ELV compliant have a maximum concentration of 0.1% by weight in homogenous materials for lead, hexavalent chromium, and mercury, and 0.01% for cadmium, or qualify for an exemption to these limits as defined in the Annexes of Directive 2000/53/EC (ELV). Regarding the REACH Regulations, TE's information on SVHC in articles for this part number is still based on the European Chemical Agency (ECHA) 'Guidance on requirements for substances in articles' (Version: 2, April 2011), applying the 0.1% weight on weight concentration threshold at the finished product level. TE is aware of the European Court of Justice ruling of September 10th, 2015 also known as O5A (Once An Article Always An Article) stating that, in case of 'complex object', the threshold for a SVHC must be applied to both the product as a whole and simultaneously to each of the articles forming part of its composition. TE has evaluated this ruling based on the new ECHA "Guidance on requirements for substances in articles" (June 2017, version 4.0) and will be updating its statements accordingly.

## Compatible Parts



TE Model / Part # 2150203-1  
OCEAN\_2.0\_APPLICATOR-E-070F120F



**KIT**  
REPRESENTATION ONLY

TE Model / Part # 7-2150203-7  
OCEAN\_2.0\_SPARE\_PART\_KIT-070F120F



TE Model / Part # 2-2150203-1  
OCEAN\_2.0\_APPLICATOR-E-070F120F



TE Model / Part # 2-2150203-2  
OCEAN\_2.0\_APPLICATOR-E-070F120FA



TE Model / Part # 2150203-2  
OCEAN\_2.0\_APPLICATOR-E-070F120FA

Also in the Series | **FASTON 110**



Crimp Terminal Housings(17)

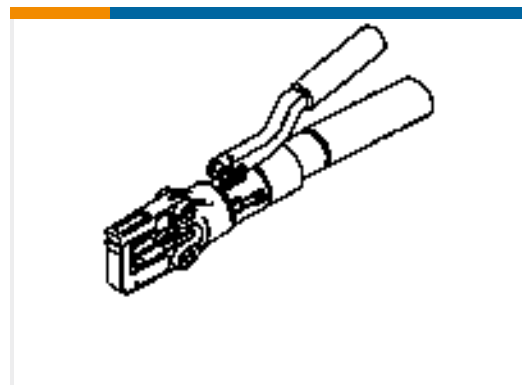
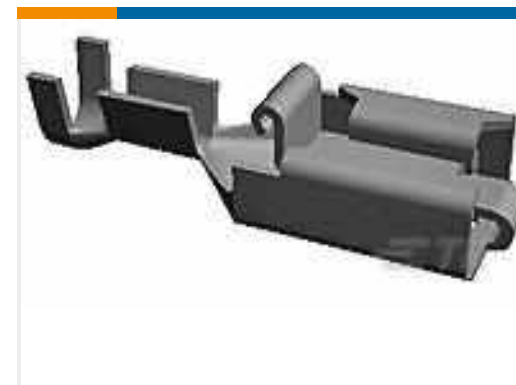
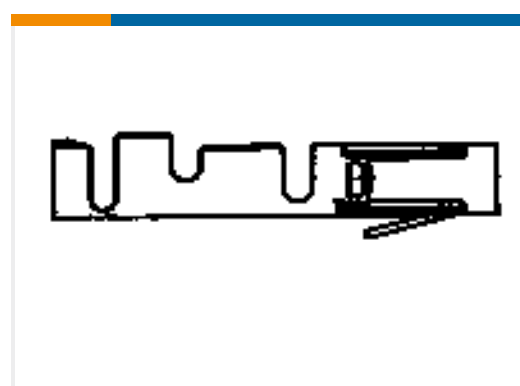
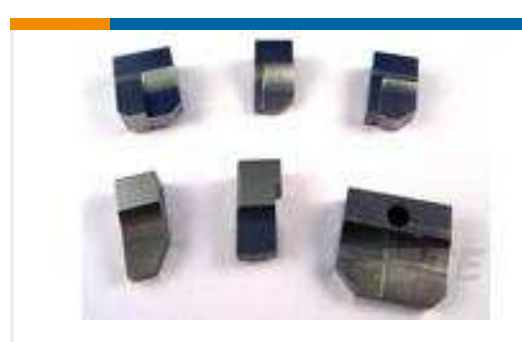


PCB Terminals(22)



Quick Disconnects(182)

## Customers Also Bought

TE Model / Part #1-539783-0  
DIE MCP9,5 16MM EDSTE Model / Part #142917-1  
MIC IV COSI TABTE Model / Part #142185-2  
MIC CONTACT RECEPTACLETE Model / Part #154718-2  
POSITIVE LOK RECEPTACLETE Model / Part #1377172-4  
SMP 0-0130017-0TE Model / Part #167419-1  
MOD-4 REC.CONT.SCPTE Model / Part #2151241-2  
OCEAN\_2\_0\_APPLICATOR-S-  
073F0830ATE Model / Part #4-683453-3  
CRIMPER INSUL "F"TE Model / Part #7-189717-9  
ANVIL, COMBINATIONTE Model / Part #7-2266037-7  
OC-080F1200-CRIMPTOOLINGKIT

## Documents

### Product Drawings

110 FASTON REC.

English

### CAD Files

Customer View Model

ENG\_CVM\_CVM\_5-160555-1\_AV\_c-5-160555-1-av.3d\_stp.zip

English

3D PDF



3D

Customer View Model

[ENG\\_CVM\\_CVM\\_5-160555-1\\_AV\\_c-5-160555-1-av.2d\\_dxf.zip](#)

English

Customer View Model

[ENG\\_CVM\\_CVM\\_5-160555-1\\_AV\\_c-5-160555-1-av.3d\\_igs.zip](#)

English

By downloading the CAD file I accept and agree to the [Terms and Conditions](#) of use.

---

## Product Specifications

[.110,.187 & 250 Series FASTON Terminals](#)

English

[Product Specification](#)

English

---

## Agency Approvals

[UL Report](#)

English