



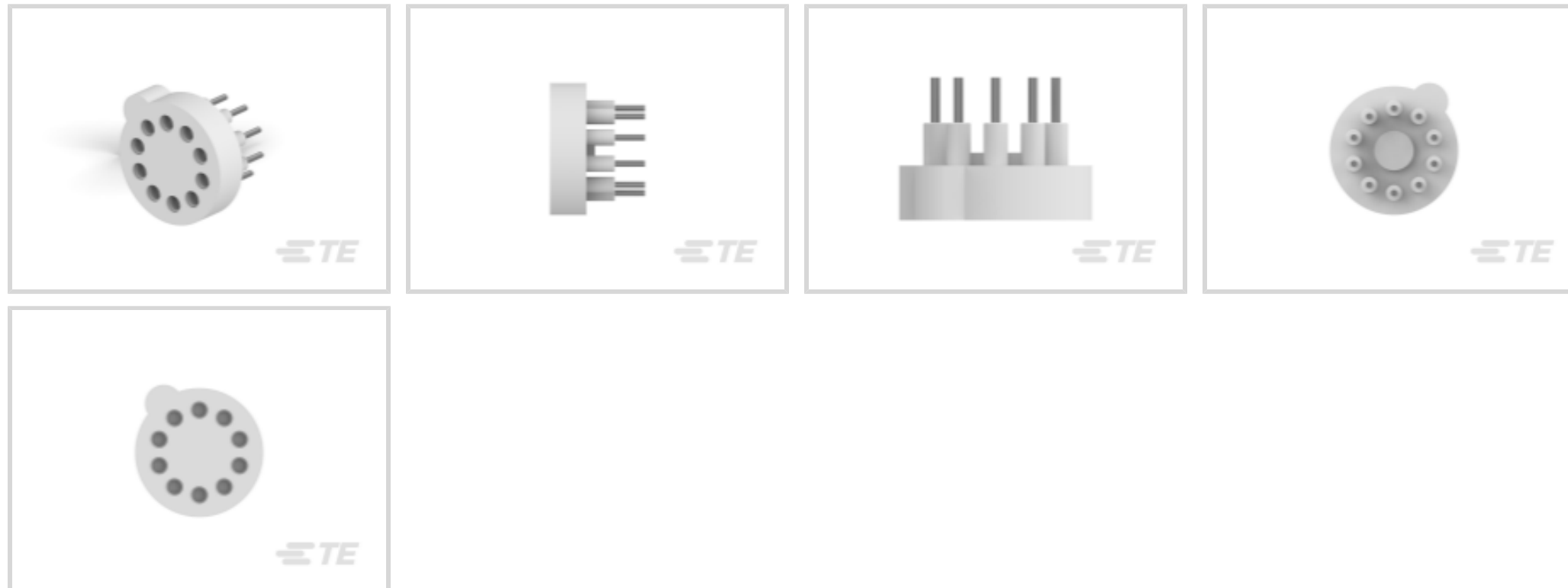
Augat

TE Internal #: 5-1437508-0

TE Internal Description: 8059-2G9=TO5 PC SOCKET 230 GOL

[View on TE.com >](#)

Connectors > Socket Connectors > Transistor Sockets



Number of Positions: **10**

Connector Profile: **Ultra-Low**

Lead Size (Accepted): **.41 mm [ .02 in ]**

Connector & Contact Terminates To: **Printed Circuit Board**

Contact Current Rating (Max): **3 A**

## Features

### Product Type Features

Package Outline Dimensions	TO-5
Terminal Configuration	Contact
Connector & Contact Terminates To	Printed Circuit Board

### Configuration Features

Number of Positions	10
---------------------	----

### Body Features

Insulator Material	Glass-Filled Polyamide Nylon
Primary Product Color	Yellow
Connector Profile	Ultra-Low
Lead Size (Accepted)	.41 mm [.02 in]

### Contact Features

Terminal Material	Beryllium Copper
Mating Pin Diameter	5.84 mm [.23 in]
Terminal Plating	Gold
Contact Current Rating (Max)	3 A

### Termination Features

Termination Method to Printed Circuit Board	Through Hole - Solder
---	-----------------------

### Mechanical Attachment

Connector Mounting Type	Board Mount
-------------------------	-------------

### Usage Conditions

Operating Temperature Range	-55 – 125 °C[-67 – 257 °F]
-----------------------------	----------------------------

### Operation/Application

Circuit Application	Signal
---------------------	--------

### Industry Standards

Insulator Flammability Rating	UL 94V-0
-------------------------------	----------

## Product Compliance

[For compliance documentation, visit the product page on TE.com>](#)

EU RoHS Directive 2011/65/EU	Not Compliant
EU ELV Directive 2000/53/EC	Not Compliant
China RoHS 2 Directive MIIT Order No 32, 2016	Restricted Materials Above Threshold
EU REACH Regulation (EC) No. 1907/2006	Current ECHA Candidate List: JUNE 2023 (235) Candidate List Declared Against: JAN 2021 (211) SVHC > Threshold: Cadmium oxide (1.53% in Component Part) <b>Article Safe Usage Statements:</b> Use personal protective equipment as required. Do not eat, drink or smoke when using this product. Recycle if possible and dispose of the article by following all applicable governmental regulations relevant to your geographic location.
Halogen Content	Low Halogen - Br, Cl, F, I < 900 ppm per homogenous material. Also BFR/CFR/PVC Free
Solder Process Capability	Wave solder capable to 265°C

#### Product Compliance Disclaimer

This information is provided based on reasonable inquiry of our suppliers and represents our current actual knowledge based on the information they provided. This information is subject to change. The part numbers that TE has identified as EU RoHS compliant have a maximum concentration of 0.1% by weight in homogenous materials for lead, hexavalent chromium, mercury, PBB, PBDE, DBP, BBP, DEHP, DIBP, and 0.01% for cadmium, or qualify for an exemption to these limits as defined in the Annexes of Directive 2011/65/EU (RoHS2). Finished electrical and electronic equipment products will be CE marked as required by Directive 2011/65/EU. Components may not be CE marked. Additionally, the part numbers that TE has identified as EU ELV compliant have a maximum concentration of 0.1% by weight in homogenous materials for lead, hexavalent chromium, and mercury, and 0.01% for cadmium, or qualify for an exemption to these limits as defined in the Annexes of Directive 2000/53/EC (ELV). Regarding the REACH Regulation, the information TE provides on SVHC in articles for this part number is based on the latest European Chemicals Agency (ECHA) 'Guidance on requirements for substances in articles' posted at this URL: <https://echa.europa.eu/guidance-documents/guidance-on-reach>

## Customers Also Bought



TE Part #C71645-000  
RMW-10/3-1200/ADH-0



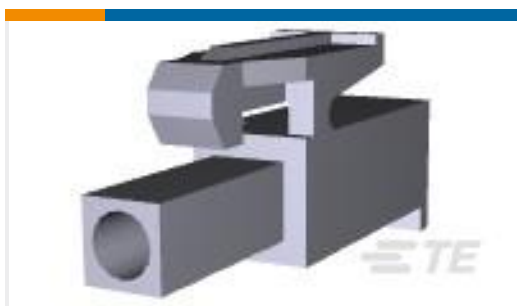
TE Part #794616-8  
FREE HANG DBL ROW HSG 8 POS



TE Part #794616-4  
FREE HANG DBL ROW HSG 4 POS



TE Part #2-34160-1  
TERMINAL,PG R 16-14 8, TAPE



TE Part #172164-1  
1 CIR UNIV M-N-L PLUG



TE Part #1-770902-0  
MINI UMNL SOK 26-22 AWG AU



TE Part #770902-1  
MINI UMNL SOCK 26-22 AWG SN



TE Part #170359-3  
MINI UNIVERSAL M-N-L PIN



TE Part #1-794606-2  
MICRO MNL RPT CNT STRP 30AU LF



TE Part #165295  
SOLIS DIN 1.5-2.5 R M3

## Documents

### Product Drawings

8059-2G9=TO5 PC SOCKET 230 GOL

English

### CAD Files

3D PDF

3D

Customer View Model

[ENG\\_CVM\\_CVM\\_5-1437508-0\\_C.2d\\_dxf.zip](#)

English

Customer View Model

[ENG\\_CVM\\_CVM\\_5-1437508-0\\_C.3d\\_igs.zip](#)

English

Customer View Model

[ENG\\_CVM\\_CVM\\_5-1437508-0\\_C.3d\\_stp.zip](#)



English

By downloading the CAD file I accept and agree to the [Terms and Conditions](#) of use.