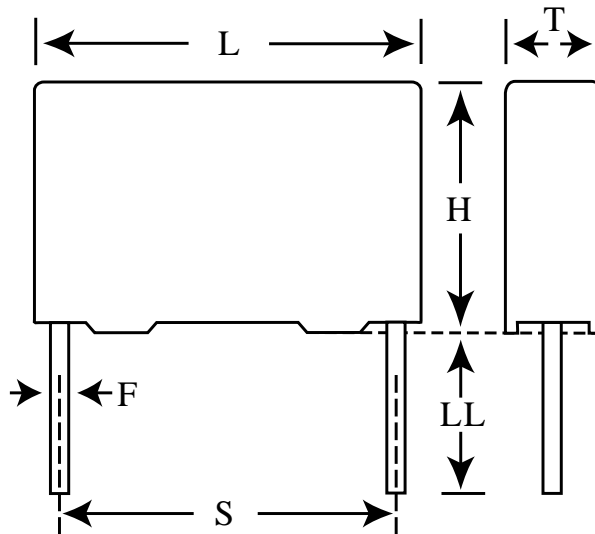


Capacitor, film, 3.3 uF, +/-5% Tol, -40/+85C, Power Electronic, 400V@85C, Lead Spacing=27.5 mm



**Dimensions (mm)**

**Specifications**

ID	Dimension	Tolerance	Manufacturer:	KEMET
L	32	nom	Brand:	Arcotronics
H	28	nom	Capacitance:	3.3 uF
T	14	nom	Temperature Range:	-40/+85C
S	27.5	+/-0.4	Rated Temperature:	85C
LL	6	-2	Voltage @ rated temp:	400V
F	1.2	nom	Voltage AC:	250VAC
			Tolerance:	+/-5%
			Body Type:	Radial Box
			Construction:	Wound
			Application:	Power Electronic
			Dissipation Factor @ 1 kHz:	0.05%
			Maximum dVdT:	74v/us
			Package Kind:	Bulk