

PLEASE CHECK WWW.MOLEX.COM FOR LATEST PART INFORMATION

Part Number: [49547-0392](#)
Status: **Active**
Description: 1.78mm Tab, 8.50mm Pitch Wire-to-Wire Female Housing TPA™, 3 Circuits, Vertical, Upper Type

Documents:

[3D Model](#) [Packaging Specification PK-49547-001 \(PDF\)](#)
[Drawing \(PDF\)](#) [RoHS Certificate of Compliance \(PDF\)](#)

General

Product Family	Accessories
Series	49547
Component Type	Retainer
Product Name	TPA™ - Term Pos Assurance
UPC	822350376518

Physical

Circuits (Loaded)	3
Lock to Mating Part	Yes
Net Weight	0.677/g
Number of Rows	1
Packaging Type	Bag
Temperature Range - Operating	-40°C to +120°C

Material Info

Reference - Drawing Numbers

Packaging Specification	PK-49547-001
Sales Drawing	SD-49547-001

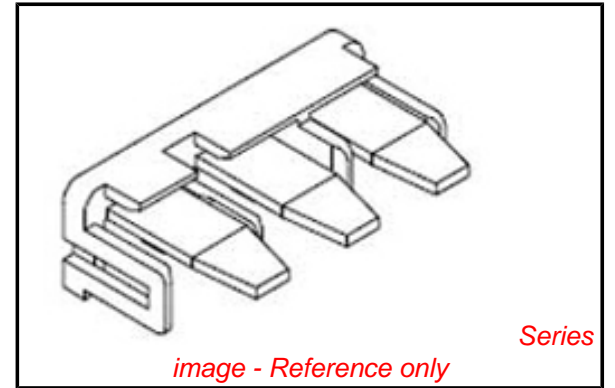


image - Reference only

EU RoHS

**ELV and RoHS
Compliant**

REACH SVHC

**Contains SVHC: No
Low-Halogen Status
Low-Halogen**

China RoHS



**Need more information on product
environmental compliance?**

Email productcompliance@molex.com
 For a multiple part number RoHS Certificate of Compliance, [click here](#)

Please visit the [Contact Us](#) section for any non-product compliance questions.

Search Parts in this Series

[49547Series](#)

Use With

[35965 Wire-to-Wire Female Housing](#)