

PLEASE CHECK WWW.MOLEX.COM FOR LATEST PART INFORMATION

Part Number: [49505-0215](#)
Status: **Active**
Description: Bulb Socket, Sealed, For W16W, 35.50mm Socket Length, 2 Circuits

Documents:

[3D Model](#) [Packaging Specification PK-49505-001 \(PDF\)](#)
[Drawing \(PDF\)](#) [RoHS Certificate of Compliance \(PDF\)](#)
[Product Specification PS-49505-001 \(PDF\)](#)

General

Product Family	Other Sockets
Series	49505
Comments	Sealed bulb socket for W16W
Component Type	Socket
Product Name	Bulb Socket
UPC	883906961220

Physical

Circuits (Loaded)	2
Circuits (maximum)	2
Color - Resin	Gray
Durability (mating cycles max)	Contact Molex
Entry Angle	Vertical
Keying to Mating Part	N/A
Material - Resin	Nylon
Net Weight	5.400/g
PCB Retention	None
Packaging Type	Bag
Pitch - Mating Interface	8.70mm
Temperature Range - Operating	-40°C to +80°C

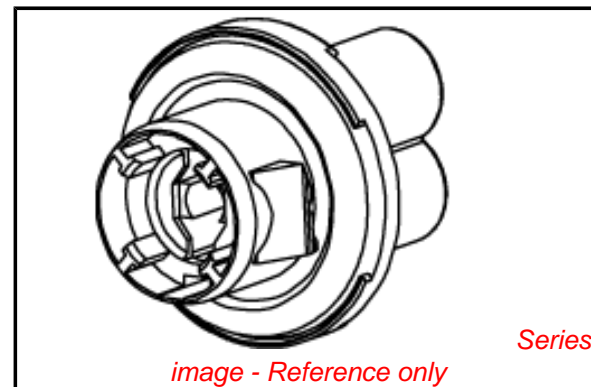
Electrical

Current - Maximum per Contact	7A
Voltage - Maximum	12V

Material Info

Reference - Drawing Numbers

Packaging Specification	PK-49505-001
Product Specification	PS-49505-001
Sales Drawing	SD-49505-002



EU RoHS

**ELV and RoHS
Compliant**
REACH SVHC
 Not Reviewed
Low-Halogen Status
Low-Halogen

China RoHS



**Need more information on product
environmental compliance?**

Email productcompliance@molex.com
 For a multiple part number RoHS Certificate of Compliance, [click here](#)

Please visit the [Contact Us](#) section for any non-product compliance questions.

Search Parts in this Series

49505Series

Mates With

Lamp

Use With

35477-9002