

PLEASE CHECK WWW.MOLEX.COM FOR LATEST PART INFORMATION

Part Number: [49102-1210](#)
Status: **Active**
Description: 2.50mm Pitch Male Housing, for 1.02mm Diameter Terminal, Used in Car Mirror Applications

Documents:

[3D Model](#) [Product Specification PS-104000-001 \(PDF\)](#)
[Drawing \(PDF\)](#) [RoHS Certificate of Compliance \(PDF\)](#)

General

| | |
|----------------|-----------------------|
| Product Family | Crimp Housings |
| Series | 49102 |
| Application | Power, Wire-to-Board |
| Product Name | N/A |
| UPC | 822348302758 |

Physical

| | |
|-------------------------------|-----------------|
| Circuits (maximum) | 12 |
| Color - Resin | Natural, Yellow |
| Gender | Male |
| Glow-Wire Compliant | No |
| Lock to Mating Part | Yes |
| Material - Resin | Polyester |
| Net Weight | 6.200/g |
| Number of Rows | 2 |
| Packaging Type | Bag |
| Panel Mount | Yes |
| Pitch - Mating Interface | 2.50mm |
| Polarized to Mating Part | Yes |
| Stackable | No |
| Temperature Range - Operating | -40°C to +120°C |

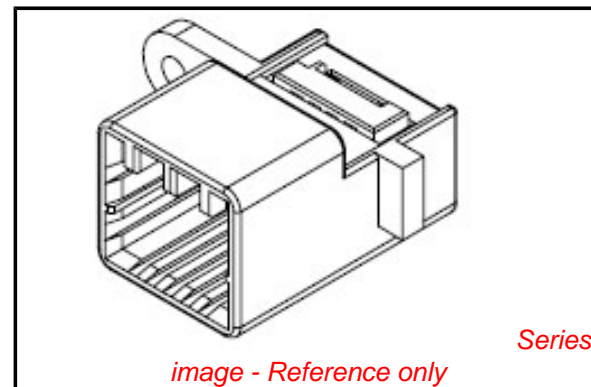
Electrical

| | |
|-------------------------------|----|
| Current - Maximum per Contact | 5A |
|-------------------------------|----|

Material Info

Reference - Drawing Numbers

| | |
|-----------------------|---------------|
| Product Specification | PS-104000-001 |
| Sales Drawing | SD-49102-001 |



EU RoHS

ELV and RoHS Compliant

REACH SVHC

Not Reviewed

Low-Halogen Status

Low-Halogen

China RoHS



Need more information on product environmental compliance?

Email productcompliance@molex.com
 For a multiple part number RoHS Certificate of Compliance, [click here](#)

Please visit the [Contact Us](#) section for any non-product compliance questions.

Search Parts in this Series

[49102Series](#)

Mates With

[640021215](#)

Use With

[506609001](#)