

PLEASE CHECK WWW.MOLEX.COM FOR LATEST PART INFORMATION

Part Number: [49034-0315](#)
Status: **Active**
Description: 3.80mm Pitch Wire-to-Wire Female Housing, 3 Circuits, for 090II Terminal, with TPA, Gray

Documents:

[3D Model](#) [Packaging Specification PK-49034-001 \(PDF\)](#)
[Drawing \(PDF\)](#) [RoHS Certificate of Compliance \(PDF\)](#)
[Product Specification PS-49033-001 \(PDF\)](#)

General

Product Family	Crimp Housings
Series	49034
Application	Power, Wire-to-Wire
Product Name	N/A
UPC	822348242276

Physical

Circuits (maximum)	3
Color - Resin	Black, Gray
Gender	Female
Glow-Wire Compliant	No
Lock to Mating Part	Yes
Material - Resin	Polyester
Net Weight	5.933/g
Number of Rows	1
Packaging Type	Bag
Panel Mount	No
Pitch - Mating Interface	3.81mm
Polarized to Mating Part	Yes
Stackable	No
Temperature Range - Operating	-40°C to +80°C

Electrical

Current - Maximum per Contact	10A
-------------------------------	-----

Material Info

Reference - Drawing Numbers

Packaging Specification	PK-49034-001
Product Specification	PS-49033-001
Sales Drawing	SD-49034-001

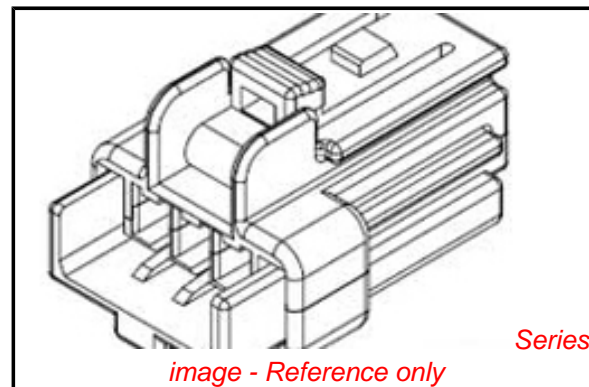


image - Reference only

EU RoHS

ELV and RoHS Compliant

REACH SVHC

Contains SVHC: No

Low-Halogen Status

Low-Halogen

China RoHS



Need more information on product environmental compliance?

Email productcompliance@molex.com
 For a multiple part number RoHS Certificate of Compliance, [click here](#)

Please visit the [Contact Us](#) section for any non-product compliance questions.

Search Parts in this Series

49034Series

Mates With

49033-0315

Use With

35421