

PLEASE CHECK WWW.MOLEX.COM FOR LATEST PART INFORMATION

Part Number: [49034-0310](#)
Status: **Active**
Description: 3.80mm Pitch Wire-to-Wire Female Housing, 3 Circuits, for 090II Terminal, with TPA

Documents:

[3D Model](#) [Packaging Specification PK-49034-001 \(PDF\)](#)
[Drawing \(PDF\)](#) [RoHS Certificate of Compliance \(PDF\)](#)
[Product Specification PS-49033-001 \(PDF\)](#)

General

Product Family	Crimp Housings
Series	49034
Application	Power, Wire-to-Wire
Product Name	N/A
UPC	822348163076

Physical

Circuits (maximum)	3
Gender	Female
Glow-Wire Compliant	No
Lock to Mating Part	Yes
Net Weight	2.800/g
Number of Rows	1
Packaging Type	Bag
Panel Mount	No
Pitch - Mating Interface	3.81mm
Polarized to Mating Part	Yes
Stackable	No
Temperature Range - Operating	-40°C to +80°C

Electrical

Current - Maximum per Contact	10A
-------------------------------	-----

Material Info

Reference - Drawing Numbers

Packaging Specification	PK-49034-001
Product Specification	PS-49033-001
Sales Drawing	SD-49034-001

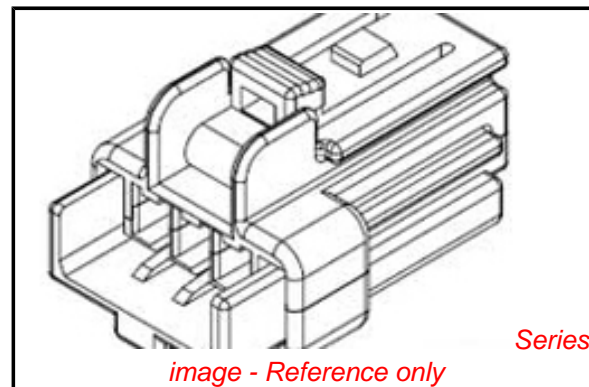


image - Reference only

EU RoHS

**ELV and RoHS
Compliant**
**REACH SVHC
Contains SVHC: No**
**Low-Halogen Status
Low-Halogen**

China RoHS



**Need more information on product
environmental compliance?**

Email productcompliance@molex.com
For a multiple part number RoHS Certificate of Compliance, [click here](#)

Please visit the [Contact Us](#) section for any non-product compliance questions.

Search Parts in this Series

49034Series

Mates With

49033-0310

Use With

35421

PLEASE CHECK WWW.MOLEX.COM FOR LATEST PART INFORMATION