

PLEASE CHECK WWW.MOLEX.COM FOR LATEST PART INFORMATION

Part Number: [49033-0310](#)
Status: **Active**
Description: 3.80mm Pitch Wire-to-Wire Male Housing, 3 Circuits, for 090II Terminal, with TPA

Documents:

[3D Model](#) [Packaging Specification PK-49033-001 \(PDF\)](#)
[Drawing \(PDF\)](#) [RoHS Certificate of Compliance \(PDF\)](#)
[Product Specification PS-49033-001 \(PDF\)](#)

General

Product Family	Crimp Housings
Series	49033
Application	Power, Wire-to-Wire
Product Name	N/A
UPC	822348254316

Physical

Circuits (maximum)	3
Color - Resin	Black, Natural
Gender	Male
Glow-Wire Compliant	No
Lock to Mating Part	Yes
Material - Resin	Polyester
Net Weight	4.700/g
Number of Rows	1
Packaging Type	Bag
Panel Mount	No
Pitch - Mating Interface	3.81mm
Polarized to Mating Part	Yes
Stackable	No
Temperature Range - Operating	-40°C to +80°C

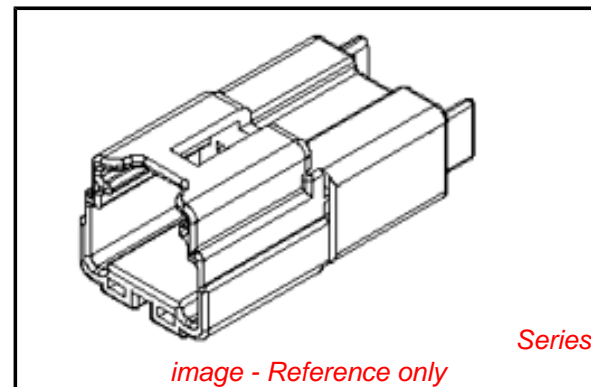
Electrical

Current - Maximum per Contact	10A
-------------------------------	-----

Material Info

Reference - Drawing Numbers

Packaging Specification	PK-49033-001
Product Specification	PS-49033-001
Sales Drawing	SD-49033-001



EU RoHS

**ELV and RoHS
Compliant**
**REACH SVHC
Contains SVHC: No**
**Low-Halogen Status
Low-Halogen**

China RoHS



**Need more information on product
environmental compliance?**

Email productcompliance@molex.com
For a multiple part number RoHS Certificate of Compliance, [click here](#)

Please visit the [Contact Us](#) section for any non-product compliance questions.

Search Parts in this Series

[49033Series](#)

Mates With

[49034-0310](#)

Use With

[35420-9702](#)