

DIN Connector, Socket, 6-pole, solder terminals for PCB



6-pole

**Description**

- PCB Mounting
- DIN Plug: 6-pole, straight

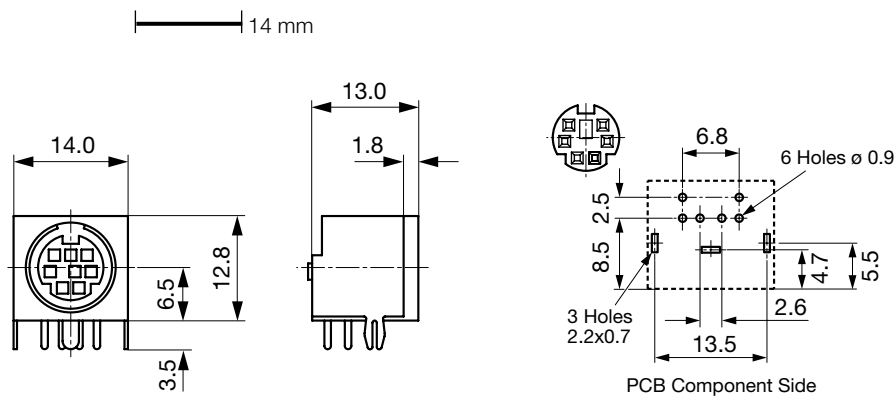
**Weblinks**

[pdf-datasheet](#), [html-datasheet](#), [General Product Information](#), [Approvals](#), [RoHS](#), [CHINA-RoHS](#), [Mating Connectors](#), [e-Shop](#), [SCHURTER-Stock-Check](#), [Distributor-Stock-Check](#)

**Technical Data**

Diameter	9.0 mm
Number of Poles	6-pole
Ratings DC	1 A / 12 VDC
Ratings AC	1 A / 100 VAC
Dielectric Strength	250 VAC
Insulation Resistance	> 50 MΩ @ 250 VDC

Allowable Operation Temp.	-20°C to 70°C
Terminal	PCB solder terminals silver plated
Lifetime	5000 Insertions

**Dimensions****Variants**

Product group	Diameter [mm]	Number of Poles	Terminal	Order Number
DIN Plug/Socket	9.0	6-pole	PCB solder terminals	4850.2610

**Packaging unit** 750 Pcs**Mating Inlets/Plugs**

Category / Description

[DIN Plug/Socket Overview complete](#)

DIN Connector, Plug, 6-pole, solder terminal

4850.1610

[DIN Plug/Socket further types to 4850 DIN-Stecker, verschiedene](#)

