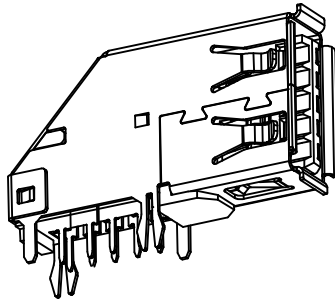


Pin Number	Signal Name	Description
1	VBUS	Power
2	D-	USB2.0 differential pair
3	D+	
4	GND	Ground for power return
5	StdA_SSRX-	SuperSpeed receiver differential pair
6	StdA_SSRX+	
7	GND_DRAIN	Ground for signal return
8	StdA_SSTX-	SuperSpeed transmitter differential pair
9	StdA_SSTX+	
Shell	Shield	Connector metal shell

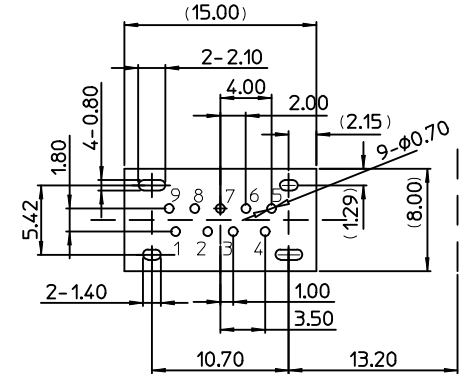
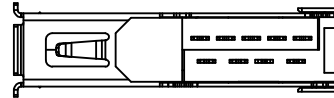
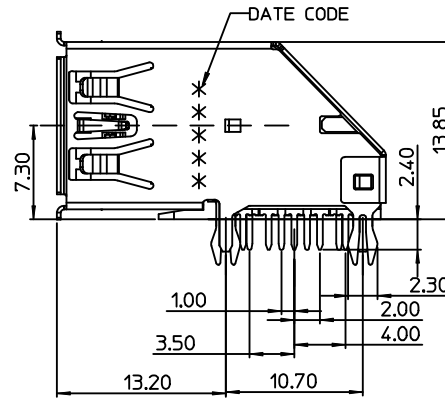
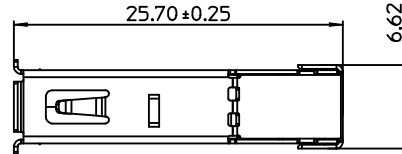
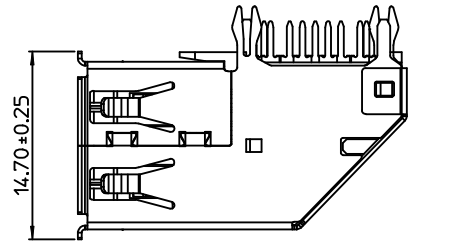
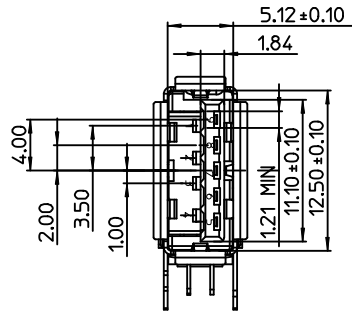
USB3.0 Standard-A Connector
Pin Assignments



NOTES:
 1.MATERIAL:
 HOUSING: THERMOPLASTIC, GLASS FIBER FILLED,
 HALOGEN FREE, UL94-HB, COLOR: BLUE,
 USB2.0 CONTACT: COPPER ALLOY,
 USB3.0 CONTACT: COPPER ALLOY,
 SHELL: STAINLESS STEEL.
 2.FINISH:
 CONTACT:
 SELECTIVE GOLD(Au) IN CONTACT AREA(SEE
 TABLE)
 SELECTIVE MATTE TIN(Sn) ALLOY IN SOLDER
 TAIL
 AREA THICKNESS=120 MICROINCH MINIMUM,
 NICKEL(Ni) OVERALL THICKNESS=80 MICROINCH

MINIMUM,
 SHELL=NICKEL(Ni) OVERALL THICKNESS=30
 MICROINCH
 MINIMUM,
 3. PRODUCT SPECIFICATION REFERS TO
 PS-48404-001
 4. PACKAGE SPECIFICATION REFERS TO
 PK-48404-001
 5. TEST SUMMARY REFERS TO TS-48404-001
 6. LEAD FREE AND RoHS COMPLIANT PRODUCT.
 7. DATE CODE:

X X X X X
 | | | | |
 YEAR WEEK DAY



RECOMMEND P.C.B
 LAYOUT(THICKNESS=1.2mm)
 (COMPONENT SIDE) TOLERANCE±0.05

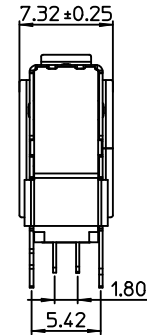
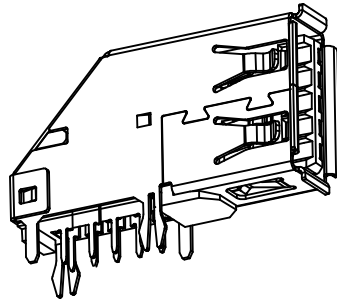


TABLE	
PLATING	P/N
30u" Au	48404-0001
2u" Au & 30u" Pd-Ni	48404-0002
15u" Au	48404-0003
GOLD FLASH(3u" Au MIN.)	48404-0004

RELEASE EC NO: DRWN: FYANG05 2013/10/20 CHKD: APPR: A	DESCRIPTION REV	QUALITY SYMBOLS	GENERAL TOLERANCES (UNLESS SPECIFIED)	DIMENSION STYLE	SCALE 1:1	DESIGN UNITS	THIRD ANGLE PROJECTION
		$\nabla = 0$ $\nabla = 0$ $\nabla = 0$	mm INCH 4 PLACES ± ± 3 PLACES ± ± 2 PLACES ± 0.20 ± 1 PLACE ± 0.25 ± ANGULAR ± °	DRAWN BY RUBY DATE 2013.9.18 CHECKED BY FYANG DATE 2013.9.18 APPROVED BY RZHANG DATE 2013.9.18	TITLE	USB 3.0 CONNECTOR A RECEPTACLE SIDE 90° DIP TYPE(H=7.3mm)	
		DRAFT WHERE APPLICABLE MUST REMAIN WITHIN DIMENSIONS	MATERIAL NO. SEE TABLE SIZE A3	MOLEX INCORPORATED DOCUMENT NO. SD-48404-001	SHEET NO. 1 OF 1		
		THIS DRAWING CONTAINS INFORMATION THAT IS PROPRIETARY TO MOLEX INCORPORATED AND SHOULD NOT BE USED WITHOUT WRITTEN PERMISSION					

Pin Number	Signal Name	Description
1	VBUS	Power
2	D-	USB2.0 differential pair
3	D+	
4	GND	Ground for power return
5	StdA_SSRX-	SuperSpeed receiver differential pair
6	StdA_SSRX+	
7	GND_DRAIN	Ground for signal return
8	StdA_SSTX-	SuperSpeed transmitter differential pair
9	StdA_SSTX+	
Shell	Shield	Connector metal shell

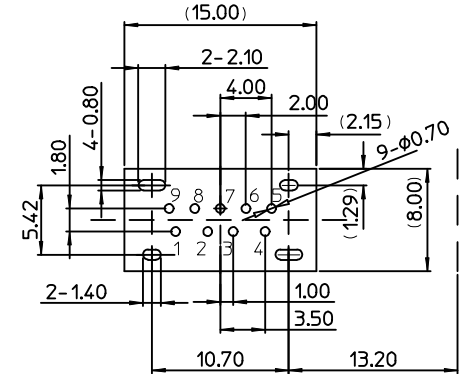
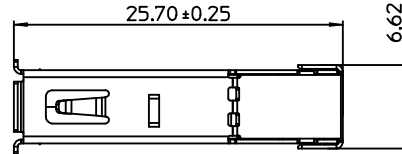
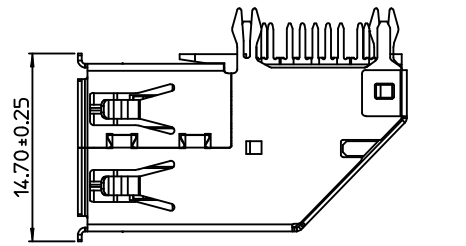
USB3.0 Standard-A Connector
Pin Assignments



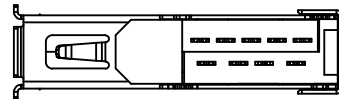
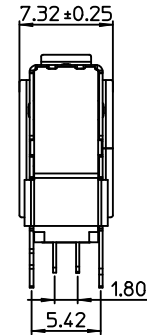
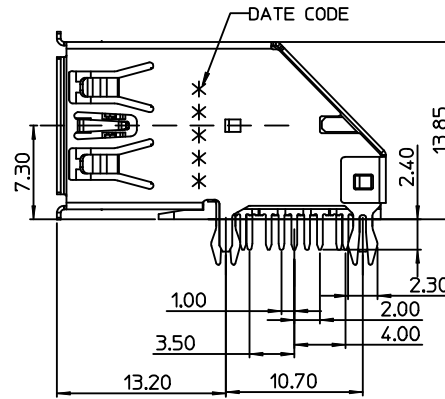
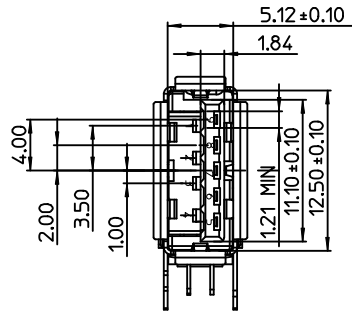
NOTES:
 1.MATERIAL:
 HOUSING: THERMOPLASTIC, GLASS FIBER FILLED, HALOGEN FREE, UL94-HB, COLOR: BLUE,
 USB2.0 CONTACT: COPPER ALLOY,
 USB3.0 CONTACT: COPPER ALLOY,
 SHELL: STAINLESS STEEL.
 2.FINISH:
 CONTACT:
 SELECTIVE GOLD(Au) IN CONTACT AREA(SEE TABLE)
 SELECTIVE MATTE TIN(Sn) ALLOY IN SOLDER TAIL
 AREA THICKNESS=120 MICROINCH MINIMUM,
 NICKEL(Ni) OVERALL THICKNESS=80 MICROINCH

MINIMUM,
 SHELL-NICKEL(Ni) OVERALL THICKNESS=30 MICROINCH
 MINIMUM,
 3. PRODUCT SPECIFICATION REFERS TO PS-48404-001
 4. PACKAGE SPECIFICATION REFERS TO PK-48404-001
 5. TEST SUMMARY REFERS TO TS-48404-001
 6. LEAD FREE AND RoHS COMPLIANT PRODUCT.
 7. DATE CODE:

X X X X X
 | | | | |
 YEAR WEEK DAY



RECOMMEND P.C.B
 LAYOUT(THICKNESS=1.2mm)
 (COMPONENT SIDE) TOLERANCE±0.05



PLATING	P/N
30u" Au	48404-0001
2u" Au & 30u" Pd-Ni	48404-0002
15u" Au	48404-0003
GOLD FLASH(3u" Au MIN.)	48404-0004

RELEASE EC NO: DRWN: FYANG05 2013/10/20 CHKD: APPR:	QUALITY SYMBOLS $\nabla/\square=0$ $\nabla/\square=0$ $\nabla/\square=0$	GENERAL TOLERANCES (UNLESS SPECIFIED)		DIMENSION STYLE		SCALE 1:1	DESIGN UNITS 	THIRD ANGLE PROJECTION	
		mm	INCH	DRAWN BY	DATE	TITLE USB 3.0 CONNECTOR A RECEPTACLE SIDE 90° DIP TYPE(H=7.3mm)			
		±	±	RUBY	2013.9.18	MOLEX INCORPORATED			
		±	±	CHECKED BY	DATE	DOCUMENT NO. SD-48404-001			
±	±	FYANG	2013.9.18	SHEET NO. 1 OF 1					
±	±	APPROVED BY	DATE	THIS DRAWING CONTAINS INFORMATION THAT IS PROPRIETARY TO MOLEX INCORPORATED AND SHOULD NOT BE USED WITHOUT WRITTEN PERMISSION					
±	±	RZHANG	2013.9.18						
±	±	MATERIAL NO.	DATE						
±	±	SEE TABLE	DATE						
±	±	DRAFT WHERE APPLICABLE MUST REMAIN WITHIN DIMENSIONS							
±	±	SIZE	A3						