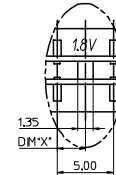
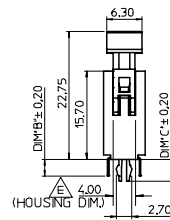
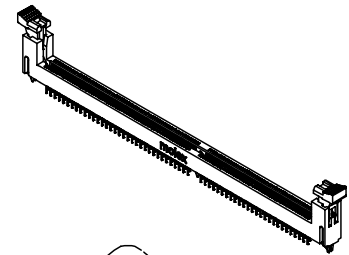
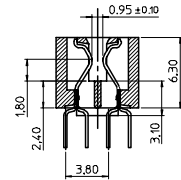
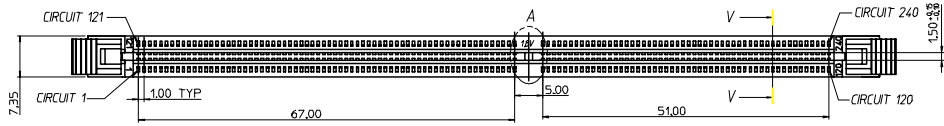
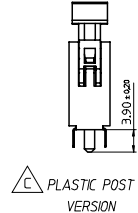
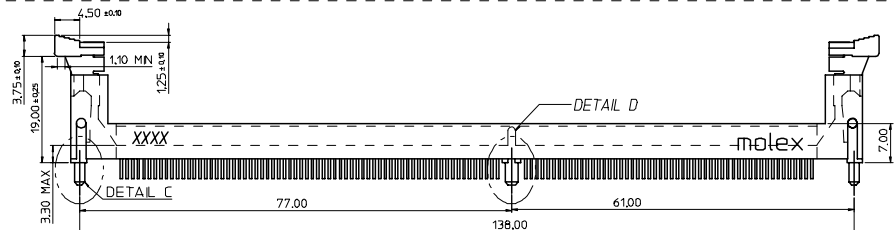
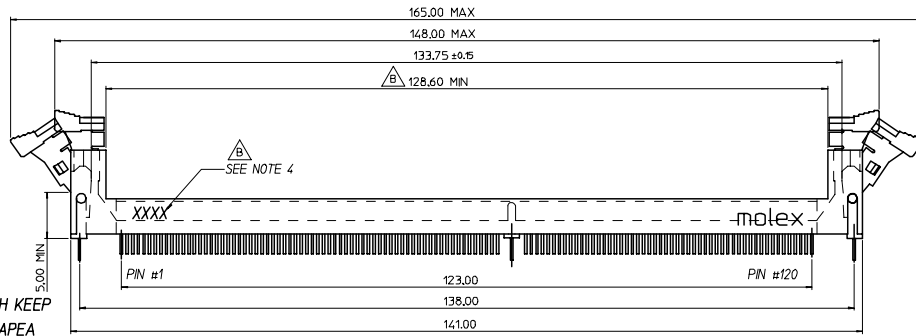


10 9 8 7 6 5 4 3 2 1

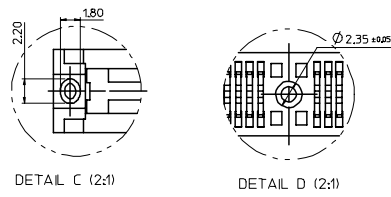


KEY LOCATION	VOLTAGE	DIM.'X'
CENTER	1.8V	2.50

KEY LOCATION	DIM.'B'	DIM.'C'	PCB THK
CENTER 1.8V	2.67	3.94	1.57
CENTER 1.8V	3.18	4.60	2.36

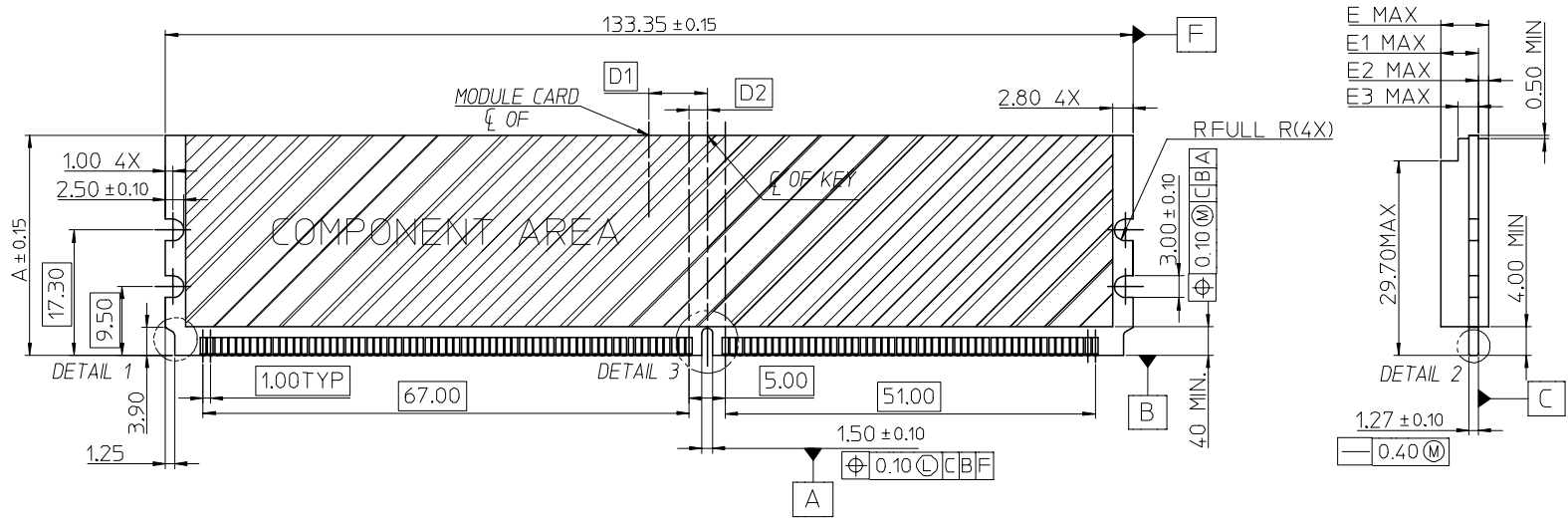


- NOTES:
- MATERIAL:
 - HOUSING: SEE TABLE, GLASS FIBER FILLED UL94V-0, COLOR: SEE TABLE.
 - LATCH: GLASS FIBER FILLED UL94V-0, COLOR: SEE TABLE.
 - BOARDLOCK: BRASS
 - CONTACT: PHOSPHOR BRONZE.
 - PLATING:
 - CONTACT AREA: GOLD PLATED, THICKNESS SEE TABLE.
 - SOLDER TAIL: 100 MICRON TIN OVER NICKEL OVERALL APPEARANCE: SEE TABLE.
 - FORKLOCK: 100 MICRON TIN OVER NICKEL OVERALL
 - VOLTAGE: 1.8V
 - DATE CODE= XXXX : YYWW
 - PRODUCT SPECIFICATION REFER TO PS-48206-001
 - PACKAGING SPECIFICATION REFER TO PK-48206-001
 - TEST SUMMARY: REFER TO TS-48206-001
 - LEAD-FREE AND ROHS COMPLIANCE PRODUCT.



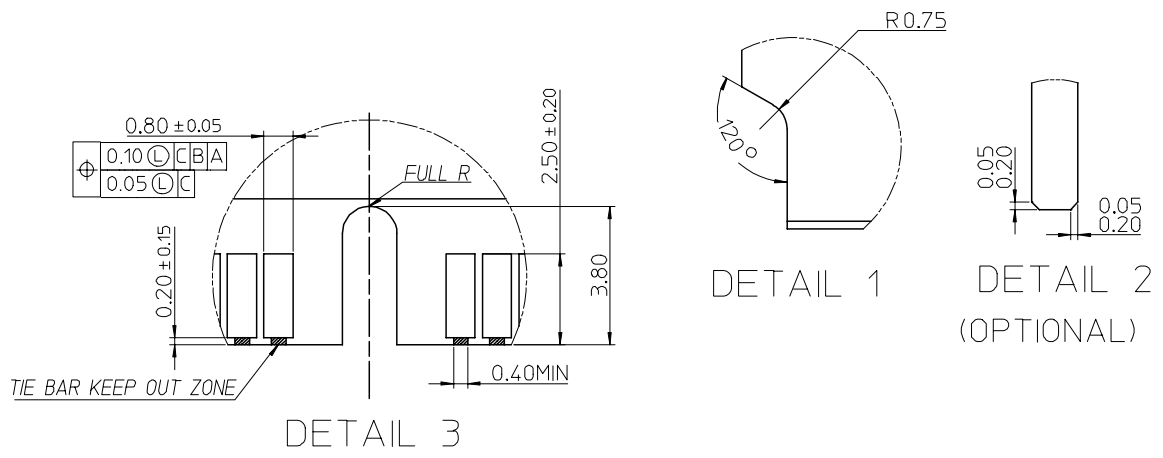
REVISED FOR TYPO EC NO: SH2008-0027 DRWN: ALLIN 2007/07/13 CHKD: 2007/07/13 APPR: WWSCHANG 2007/07/13	QUALITY SYMBOLS	GENERAL TOLERANCES (UNLESS SPECIFIED) DIMENSION STYLE MM ONLY SCALE 1:1 DESIGN UNITS METRIC THIRD ANGLE PROJECTION	DRAWN BY	DATE	TITLE	
	▽=0 ▽=0		4 PLACES	±---	±---	TOM 2005/03/26
			3 PLACES	±---	±---	CHECKED BY DATE
			2 PLACES	±0.25	±---	ALLEN LIN 2005/03/27
			1 PLACE	±0.25	±---	APPROVED BY DATE
			ANGULAR ± 3°		WILSON 2005/03/27	
			MATERIAL NO.		DOCUMENT NO.	
			SEE ATBLE		SD-48206-001	
			SIZE A3		SHEET NO. 1 OF 6	
			DRAFT WHERE APPLICABLE MUST REMAIN WITHIN DIMENSIONS			
			THIS DRAWING CONTAINS INFORMATION THAT IS PROPRIETARY TO MOLEX INCORPORATED AND SHOULD NOT BE USED WITHOUT WRITTEN PERMISSION			

9 8 7 6 5 4 3 2 1

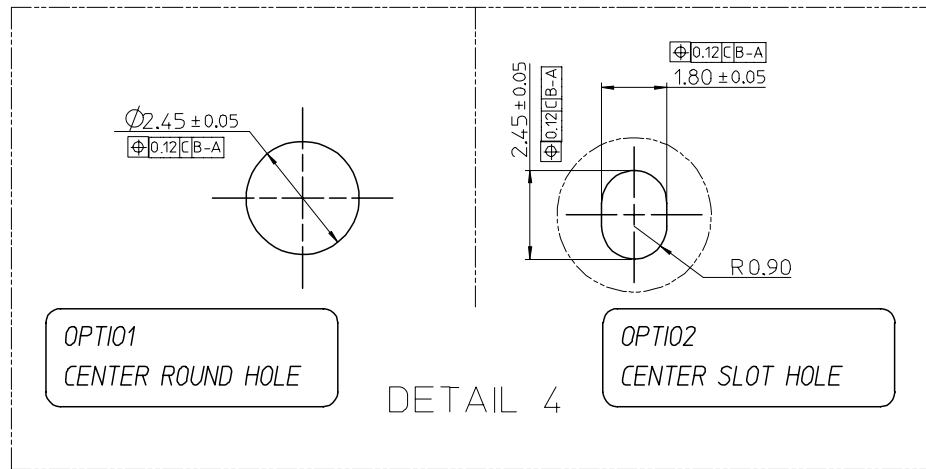
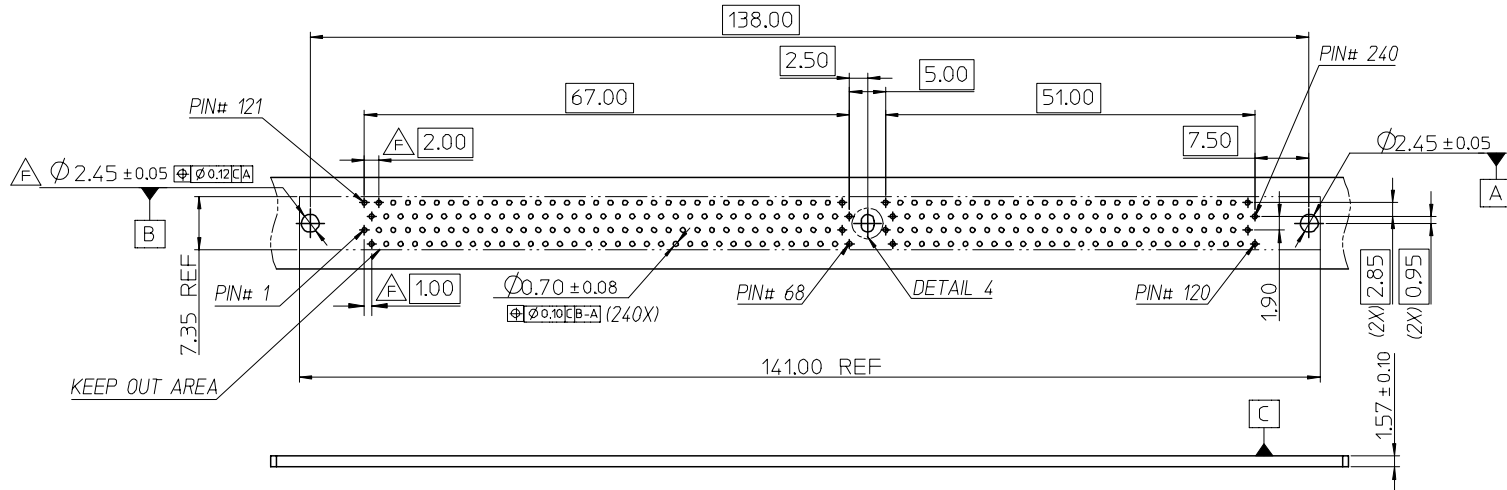


VAR	AB
A	30.35
D1	8.00 BASIC
D2	2.50 BASIC
E	8.20 MAX
E1	6.80 MAX
E2	1.40 MAX
E3	2.80 MAX

NOTES:
1. TOLERANCE ON ALL DIMENS ± 0.15
UNLESS OTHERWISE NOTED



SEE SHEET 1 EC NO: SH2008-0027 DRWN: ALLIN 2007/07/13 CHKD: 2007/07/13 APPR: WISCHANG 2007/07/13	QUALITY SYMBOLS	GENERAL TOLERANCES (UNLESS SPECIFIED)	DIMENSION STYLE	SCALE	DESIGN UNITS	THIRD ANGLE PROJECTION																					
	$\nabla=0$ $\sphericalangle=0$	<table border="1"> <thead> <tr> <th></th> <th>mm</th> <th>INCH</th> </tr> </thead> <tbody> <tr> <td>4 PLACES</td> <td>± ---</td> <td>± ---</td> </tr> <tr> <td>3 PLACES</td> <td>± ---</td> <td>± ---</td> </tr> <tr> <td>2 PLACES</td> <td>± 0.25</td> <td>± ---</td> </tr> <tr> <td>1 PLACE</td> <td>± 0.25</td> <td>± ---</td> </tr> <tr> <td colspan="3">ANGULAR ± 3 °</td> </tr> </tbody> </table>		mm	INCH	4 PLACES	± ---	± ---	3 PLACES	± ---	± ---	2 PLACES	± 0.25	± ---	1 PLACE	± 0.25	± ---	ANGULAR ± 3 °			MM ONLY	1:1	METRIC				
		mm	INCH																								
	4 PLACES	± ---	± ---																								
3 PLACES	± ---	± ---																									
2 PLACES	± 0.25	± ---																									
1 PLACE	± 0.25	± ---																									
ANGULAR ± 3 °																											
	DRAFT WHERE APPLICABLE MUST REMAIN WITHIN DIMENSIONS	<table border="1"> <tr> <td>DRAWN BY</td> <td>DATE</td> <td>TITLE</td> </tr> <tr> <td>TOM</td> <td>2005/03/26</td> <td>1.0MM PITCH FB DIMM</td> </tr> <tr> <td>CHECKED BY</td> <td>DATE</td> <td>240 CKTS VERTICAL SOCKET</td> </tr> <tr> <td>ALLEN LIN</td> <td>2005/03/27</td> <td></td> </tr> <tr> <td>APPROVED BY</td> <td>DATE</td> <td></td> </tr> <tr> <td>WILSON</td> <td>2005/03/27</td> <td></td> </tr> </table>	DRAWN BY	DATE	TITLE	TOM	2005/03/26	1.0MM PITCH FB DIMM	CHECKED BY	DATE	240 CKTS VERTICAL SOCKET	ALLEN LIN	2005/03/27		APPROVED BY	DATE		WILSON	2005/03/27		<table border="1"> <tr> <td>MATERIAL NO.</td> <td>DOCUMENT NO.</td> <td>SHEET NO.</td> </tr> <tr> <td></td> <td>SD-48206-001</td> <td>2 OF 6</td> </tr> </table>	MATERIAL NO.	DOCUMENT NO.	SHEET NO.		SD-48206-001	2 OF 6
DRAWN BY	DATE	TITLE																									
TOM	2005/03/26	1.0MM PITCH FB DIMM																									
CHECKED BY	DATE	240 CKTS VERTICAL SOCKET																									
ALLEN LIN	2005/03/27																										
APPROVED BY	DATE																										
WILSON	2005/03/27																										
MATERIAL NO.	DOCUMENT NO.	SHEET NO.																									
	SD-48206-001	2 OF 6																									
	SIZE A3	THIS DRAWING CONTAINS INFORMATION THAT IS PROPRIETARY TO MOLEX INCORPORATED AND SHOULD NOT BE USED WITHOUT WRITTEN PERMISSION																									



SEE SHEET 1	DESCRIPTION
EC NO: SH2008-0027	2007/07/13
DRWN: ALLIN	2007/07/13
CHKD:	
APPR: WWSCHANG	2007/07/13
REV	

QUALITY SYMBOLS	DESCRIPTION
$\nabla = 0$	
$\triangle = 0$	

GENERAL TOLERANCES (UNLESS SPECIFIED)	
mm	INCH
4 PLACES ± ---	± ---
3 PLACES ± ---	± ---
2 PLACES ± 0.25	± ---
1 PLACE ± 0.25	± ---
ANGULAR ± 3 °	
DRAFT WHERE APPLICABLE MUST REMAIN WITHIN DIMENSIONS	

DIMENSION STYLE	
MM ONLY	
DRAWN BY	DATE
TOM	2005/03/26
CHECKED BY	DATE
ALLEN LIN	2005/03/27
APPROVED BY	DATE
WILSON	2005/03/27
MATERIAL NO.	
SEE TABLE	
SIZE	
A3	

SCALE	DESIGN UNITS	THIRD ANGLE PROJECTION
1:1	METRIC	
TITLE		
1.0MM PITCH FB DIMM		
240 CKTS VERTICAL SOCKET		
MOLEX INCORPORATED		SHEET NO.
SD-48206-001		3 OF 6
THIS DRAWING CONTAINS INFORMATION THAT IS PROPRIETARY TO MOLEX INCORPORATED AND SHOULD NOT BE USED WITHOUT WRITTEN PERMISSION		

MOLEX P/N	HOUSING MATERIAL	HOUSING COLOR	LATCH COLOR	ALIGN MODE	CONTACT		PCB THICKNESS	SOLDER-TAIL APPEARANCE
					PLATING			
48206-0001	NYLON46/BLACK	WHITE	METAL FORK-LOCK		15 MICRONCH	157MM		
48206-0002					30 MICRONCH	157MM		
48206-0003					15 MICRONCH	2.36MM		
48206-0004					30 MICRONCH	2.36MM		
48206-0005					GOLD FLASH	157MM		
48206-0006	NYLON46/BLACK	WHITE	PLASTIC POST		15 MICRONCH	157MM		
48206-0011					30 MICRONCH	157MM		
48206-0012					15 MICRONCH	2.36MM		
48206-0013					30 MICRONCH	2.36MM		
48206-0014					GOLD FLASH	157MM		
48206-0015	NYLON46/BLACK	BLACK	METAL FORK-LOCK		15 MICRONCH	157MM	BRIGHT	
48206-0101					30 MICRONCH	157MM		
48206-0102					15 MICRONCH	2.36MM		
48206-0103					30 MICRONCH	2.36MM		
48206-0104					GOLD FLASH	157MM		
48206-0105	NYLON46/BLACK	BLACK	PLASTIC POST		15 MICRONCH	157MM		
48206-0106					30 MICRONCH	157MM		
48206-0111					15 MICRONCH	2.36MM		
48206-0112					30 MICRONCH	2.36MM		
48206-0113					GOLD FLASH	157MM		
48206-0114	NYLON46/WHITE	WHITE	METAL FORK-LOCK		15 MICRONCH	157MM		
48206-0115					30 MICRONCH	157MM		
48206-0116					15 MICRONCH	2.36MM		
48206-1001					30 MICRONCH	2.36MM		
48206-1002					GOLD FLASH	157MM		
48206-1003	NYLON46/WHITE	WHITE	PLASTIC POST		15 MICRONCH	157MM		
48206-1004					30 MICRONCH	157MM		
48206-1005					15 MICRONCH	2.36MM		
48206-1006					30 MICRONCH	2.36MM		
48206-1011					GOLD FLASH	157MM		
48206-1012	NYLON46/WHITE	BLACK	METAL FORK-LOCK		15 MICRONCH	157MM		
48206-1013					30 MICRONCH	157MM		
48206-1014					15 MICRONCH	2.36MM		
48206-1015					30 MICRONCH	2.36MM		
48206-1016					GOLD FLASH	157MM		
48206-1101	NYLON46/WHITE	BLACK	PLASTIC POST		15 MICRONCH	157MM		
48206-1102					30 MICRONCH	157MM		
48206-1103					15 MICRONCH	2.36MM		
48206-1104					30 MICRONCH	2.36MM		
48206-1105					GOLD FLASH	157MM		
48206-1106	NYLON46/WHITE	BLACK			15 MICRONCH	157MM		
48206-1111					30 MICRONCH	157MM		
48206-1112					15 MICRONCH	2.36MM		
48206-1113					30 MICRONCH	2.36MM		
48206-1114					GOLD FLASH	157MM		
48206-1115	NYLON46/WHITE	BLACK			15 MICRONCH	157MM		
48206-1116					30 MICRONCH	2.36MM		

MOLEX P/N	HOUSING MATERIAL	HOUSING COLOR	LATCH COLOR	ALIGN MODE	CONTACT		PCB THICKNESS	SOLDER-TAIL APPEARANCE
					PLATING			
48206-2001	NYLON46/GREEN (348C)	WHITE	METAL FORK-LOCK		15 MICRONCH	157MM		
48206-2002					30 MICRONCH	157MM		
48206-2003					15 MICRONCH	2.36MM		
48206-2004					30 MICRONCH	2.36MM		
48206-2005					GOLD FLASH	157MM		
48206-2006	NYLON46/GREEN (348C)	WHITE	PLASTIC POST		15 MICRONCH	157MM		
48206-2011					30 MICRONCH	157MM		
48206-2012					15 MICRONCH	2.36MM		
48206-2013					30 MICRONCH	2.36MM		
48206-2014					GOLD FLASH	157MM		
48206-2015	NYLON46/GREEN (348C)	BLACK	METAL FORK-LOCK		15 MICRONCH	157MM	BRIGHT	
48206-2101					30 MICRONCH	157MM		
48206-2102					15 MICRONCH	2.36MM		
48206-2103					30 MICRONCH	2.36MM		
48206-2104					GOLD FLASH	157MM		
48206-2105	NYLON46/GREEN (348C)	BLACK	PLASTIC POST		15 MICRONCH	157MM		
48206-2106					30 MICRONCH	157MM		
48206-2111					15 MICRONCH	2.36MM		
48206-2112					30 MICRONCH	2.36MM		
48206-2113					GOLD FLASH	157MM		
48206-2114	NYLON46/PURPLE (2736U)	WHITE	METAL FORK-LOCK		15 MICRONCH	157MM		
48206-2115					30 MICRONCH	157MM		
48206-2116					15 MICRONCH	2.36MM		
48206-3001					30 MICRONCH	2.36MM		
48206-3002					GOLD FLASH	157MM		
48206-3003	NYLON46/PURPLE (2736U)	WHITE	PLASTIC POST		15 MICRONCH	157MM		
48206-3004					30 MICRONCH	157MM		
48206-3005					15 MICRONCH	2.36MM		
48206-3006					30 MICRONCH	2.36MM		
48206-3011					GOLD FLASH	157MM		
48206-3012	NYLON46/PURPLE (2736U)	BLACK	METAL FORK-LOCK		15 MICRONCH	157MM		
48206-3013					30 MICRONCH	157MM		
48206-3014					15 MICRONCH	2.36MM		
48206-3015					30 MICRONCH	2.36MM		
48206-3016					GOLD FLASH	157MM		
48206-3101	NYLON46/PURPLE (2736U)	BLACK	PLASTIC POST		15 MICRONCH	157MM		
48206-3102					30 MICRONCH	157MM		
48206-3103					15 MICRONCH	2.36MM		
48206-3104					30 MICRONCH	2.36MM		
48206-3105					GOLD FLASH	157MM		
48206-3106	NYLON46/PURPLE (2736U)	BLACK			15 MICRONCH	157MM		
48206-3111					30 MICRONCH	157MM		
48206-3112					15 MICRONCH	2.36MM		
48206-3113					30 MICRONCH	2.36MM		
48206-3114					GOLD FLASH	157MM		
48206-3115	NYLON46/PURPLE (2736U)	BLACK			15 MICRONCH	157MM		
48206-3116					30 MICRONCH	2.36MM		

SEE SHEET 1 EC NO: SH2008-0027 DRWN: ALLIN 2007/07/13 CHKD: 2007/07/13 APPR: WWSCHANG 2007/07/13	QUALITY SYMBOLS ▽=0 ◁=0	GENERAL TOLERANCES (UNLESS SPECIFIED)		DIMENSION STYLE MM ONLY		SCALE 1:1	DESIGN UNITS METRIC	THIRD ANGLE PROJECTION			
						DRAWN BY TOM		DATE 2005/03/26		TITLE 1.0MM PITCH FB DIMM 240 CKTS VERTICAL SOCKET	
						CHECKED BY ALLEN LIN		DATE 2005/03/27			
						APPROVED BY WILSON		DATE 2005/03/27		MOLEX INCORPORATED DOCUMENT NO. SD-48206-001 SHEET NO. 4 OF 6	
DRAFT WHERE APPLICABLE MUST REMAIN WITHIN DIMENSIONS				SEE TABLE							

10 9 8 7 6 5 4 3 2 1

F

E

D

C

B

A

F

E

D

C

B

A

MOLEX P/N	HOUSING MATERIAL	HOUSING COLOR	LATCH COLOR	ALIGN MODE	CONTACT		PCB THICKNESS	SOLDER-TAIL APPEARANCE
					PLATING			
48206-4001	NYLON46/BLUE (287U)	WHITE	METAL FORK-LOCK		15 MICRONCH	1.57MM	BRIGHT	
48206-4002					30 MICRONCH	1.57MM		
48206-4003					15 MICRONCH	2.36MM		
48206-4004					30 MICRONCH	2.36MM		
48206-4005					GOLD FLASH	1.57MM		
48206-4006	NYLON46/BLUE (287U)	WHITE	PLASTIC POST		GOLD FLASH	2.36MM		
48206-4011					15 MICRONCH	1.57MM		
48206-4012					30 MICRONCH	1.57MM		
48206-4013					15 MICRONCH	2.36MM		
48206-4014					30 MICRONCH	2.36MM		
48206-4015	NYLON46/BLUE (287U)	BLACK	METAL FORK-LOCK		GOLD FLASH	1.57MM		
48206-4016					30 MICRONCH	2.36MM		
48206-4101					15 MICRONCH	1.57MM		
48206-4102					30 MICRONCH	1.57MM		
48206-4103					15 MICRONCH	2.36MM		
48206-4104	NYLON46/BLUE (287U)	BLACK	PLASTIC POST		30 MICRONCH	2.36MM		
48206-4105					GOLD FLASH	1.57MM		
48206-4106					30 MICRONCH	2.36MM		
48206-4111					15 MICRONCH	1.57MM		
48206-4112					30 MICRONCH	1.57MM		
48206-5001	NYLON66/BLACK	WHITE	METAL FORK-LOCK		15 MICRONCH	1.57MM		
48206-5002					30 MICRONCH	1.57MM		
48206-5003					15 MICRONCH	2.36MM		
48206-5004					30 MICRONCH	2.36MM		
48206-5005					GOLD FLASH	1.57MM		
48206-5011	NYLON66/BLACK	WHITE	PLASTIC POST		GOLD FLASH	2.36MM		
48206-5012					15 MICRONCH	1.57MM		
48206-5013					30 MICRONCH	1.57MM		
48206-5014					15 MICRONCH	2.36MM		
48206-5015					30 MICRONCH	2.36MM		
48206-5101	NYLON66/BLACK	BLACK	METAL FORK-LOCK		GOLD FLASH	1.57MM		
48206-5102					30 MICRONCH	1.57MM		
48206-5103					15 MICRONCH	2.36MM		
48206-5104					30 MICRONCH	2.36MM		
48206-5105					GOLD FLASH	1.57MM		
48206-5111	NYLON66/BLACK	BLACK	PLASTIC POST		GOLD FLASH	2.36MM		
48206-5112					15 MICRONCH	1.57MM		
48206-5113					30 MICRONCH	1.57MM		
48206-5114					15 MICRONCH	2.36MM		
48206-5115					30 MICRONCH	2.36MM		

MOLEX P/N	HOUSING MATERIAL	HOUSING COLOR	LATCH COLOR	ALIGN MODE	CONTACT		PCB THICKNESS	SOLDER-TAIL APPEARANCE
					PLATING			
48206-6001	NYLON66/WHITE	WHITE	METAL FORK-LOCK		15 MICRONCH	1.57MM	BRIGHT	
48206-6002					30 MICRONCH	1.57MM		
48206-6003					15 MICRONCH	2.36MM		
48206-6004					30 MICRONCH	2.36MM		
48206-6005					GOLD FLASH	1.57MM		
48206-6011	NYLON66/WHITE	WHITE	PLASTIC POST		GOLD FLASH	2.36MM		
48206-6012					15 MICRONCH	1.57MM		
48206-6013					30 MICRONCH	1.57MM		
48206-6014					15 MICRONCH	2.36MM		
48206-6015					30 MICRONCH	2.36MM		
48206-6101	NYLON66/WHITE	BLACK	METAL FORK-LOCK		GOLD FLASH	1.57MM		
48206-6102					30 MICRONCH	1.57MM		
48206-6103					15 MICRONCH	2.36MM		
48206-6104					30 MICRONCH	2.36MM		
48206-6105					GOLD FLASH	1.57MM		
48206-6111	NYLON66/WHITE	BLACK	PLASTIC POST		GOLD FLASH	2.36MM		
48206-6112					15 MICRONCH	1.57MM		
48206-6113					30 MICRONCH	1.57MM		
48206-6114					15 MICRONCH	2.36MM		
48206-6115					30 MICRONCH	2.36MM		
48206-7001	NYLON66/GREEN (348C)	WHITE	METAL FORK-LOCK		GOLD FLASH	1.57MM		
48206-7002					15 MICRONCH	1.57MM		
48206-7003					30 MICRONCH	1.57MM		
48206-7004					15 MICRONCH	2.36MM		
48206-7005					30 MICRONCH	2.36MM		
48206-7011	NYLON66/GREEN (348C)	WHITE	PLASTIC POST		GOLD FLASH	2.36MM		
48206-7012					15 MICRONCH	1.57MM		
48206-7013					30 MICRONCH	1.57MM		
48206-7014					15 MICRONCH	2.36MM		
48206-7015					30 MICRONCH	2.36MM		
48206-7101	NYLON66/GREEN (348C)	BLACK	METAL FORK-LOCK		GOLD FLASH	1.57MM		
48206-7102					30 MICRONCH	1.57MM		
48206-7103					15 MICRONCH	2.36MM		
48206-7104					30 MICRONCH	2.36MM		
48206-7105					GOLD FLASH	1.57MM		
48206-7111	NYLON66/GREEN (348C)	BLACK	PLASTIC POST		GOLD FLASH	2.36MM		
48206-7112					15 MICRONCH	1.57MM		
48206-7113					30 MICRONCH	1.57MM		
48206-7114					15 MICRONCH	2.36MM		
48206-7115					30 MICRONCH	2.36MM		

SEE SHEET 1	2007/07/13	2007/07/13	2007/07/13
EC NO: SH2008-0027	DRWN:ALLIN	CHKD:	APPR:WMSCHANG
REV	DESCRIPTION	QUALITY SYMBOLS	
		▽=0	
		△=0	

GENERAL TOLERANCES (UNLESS SPECIFIED)	
4 PLACES	± 0.25
3 PLACES	± 0.25
2 PLACES	± 0.25
1 PLACE	± 0.25
ANGULAR ± 3°	

DIMENSION STYLE	
MM ONLY	
DRAWN BY	DATE
TOM	2005/03/26
CHECKED BY	DATE
ALLEN LIN	2005/03/27
APPROVED BY	DATE
WILSON	2005/03/27
MATERIAL NO.	
SEE TABLE	

SCALE	DESIGN UNITS	THIRD ANGLE PROJECTION	
1:1	METRIC		
TITLE			
1.0MM PITCH FB DIMM			
240 CKTS VERTICAL SOCKET			
MOLEX INCORPORATED		SHEET NO.	
SD-48206-001		5 OF 6	
DRAFT WHERE APPLICABLE MUST REMAIN WITHIN DIMENSIONS			
THIS DRAWING CONTAINS INFORMATION THAT IS PROPRIETARY TO MOLEX INCORPORATED AND SHOULD NOT BE USED WITHOUT WRITTEN PERMISSION			

9 8 7 6 5 4 3 2 1

10 9 8 7 6 5 4 3 2 1

F

E

D

C

B

A

F

E

D

C

B

A

MOLEX P/N	HOUSING MATERIAL	HOUSING COLOR	LATCH COLOR	ALIGN MODE	CONTACT		SOLDER-TAIL APPEARANCE
					PLATING	PCB THICKNESS	
48206-8001	NYLON66/PURPLE (2736U)	WHITE	METAL FORK-LOCK		15 MICRONCH	157MM	BRIGHT
48206-8002					30 MICRONCH	157MM	
48206-8003					15 MICRONCH	2.36MM	
48206-8004					30 MICRONCH	2.36MM	
48206-8005					GOLD FLASH	157MM	
48206-8006					GOLD FLASH	2.36MM	
48206-8011	NYLON66/PURPLE (2736U)	WHITE	PLASTIC POST		15 MICRONCH	157MM	
48206-8012					30 MICRONCH	157MM	
48206-8013					15 MICRONCH	2.36MM	
48206-8014					30 MICRONCH	2.36MM	
48206-8015					GOLD FLASH	157MM	
48206-8016					GOLD FLASH	2.36MM	
48206-8101	NYLON66/PURPLE (2736U)	BLACK	METAL FORK-LOCK		15 MICRONCH	157MM	
48206-8102					30 MICRONCH	157MM	
48206-8103					15 MICRONCH	2.36MM	
48206-8104					30 MICRONCH	2.36MM	
48206-8105					GOLD FLASH	157MM	
48206-8106					GOLD FLASH	2.36MM	
48206-8111	NYLON66/PURPLE (2736U)	BLACK	PLASTIC POST		15 MICRONCH	157MM	
48206-8112					30 MICRONCH	157MM	
48206-8113					15 MICRONCH	2.36MM	
48206-8114					30 MICRONCH	2.36MM	
48206-8115					GOLD FLASH	157MM	
48206-8116					GOLD FLASH	2.36MM	
48206-9001	NYLON66/BLUE (287U)	WHITE	METAL FORK-LOCK		15 MICRONCH	157MM	
48206-9002					30 MICRONCH	157MM	
48206-9003					15 MICRONCH	2.36MM	
48206-9004					30 MICRONCH	2.36MM	
48206-9005					GOLD FLASH	157MM	
48206-9006					GOLD FLASH	2.36MM	
48206-9011	NYLON66/BLUE (287U)	WHITE	PLASTIC POST		15 MICRONCH	157MM	
48206-9012					30 MICRONCH	157MM	
48206-9013					15 MICRONCH	2.36MM	
48206-9014					30 MICRONCH	2.36MM	
48206-9015					GOLD FLASH	157MM	
48206-9016					GOLD FLASH	2.36MM	
48206-9101	NYLON66/BLUE (287U)	BLACK	METAL FORK-LOCK		15 MICRONCH	157MM	
48206-9102					30 MICRONCH	157MM	
48206-9103					15 MICRONCH	2.36MM	
48206-9104					30 MICRONCH	2.36MM	
48206-9105					GOLD FLASH	157MM	
48206-9106					GOLD FLASH	2.36MM	
48206-9111	NYLON66/BLUE (287U)	BLACK	PLASTIC POST		15 MICRONCH	157MM	
48206-9112					30 MICRONCH	157MM	
48206-9113					15 MICRONCH	2.36MM	
48206-9114					30 MICRONCH	2.36MM	
48206-9115					GOLD FLASH	157MM	
48206-9116					GOLD FLASH	2.36MM	

MOLEX P/N	HOUSING MATERIAL	HOUSING COLOR	LATCH COLOR	ALIGN MODE	CONTACT		SOLDER-TAIL APPEARANCE
					PLATING	PCB THICKNESS	
48206-0007	NYLON46/BLACK	WHITE	METAL FORK-LOCK		15 MICRONCH	157MM	MATT
48206-0008					15 MICRONCH	2.36MM	

SEE SHEET 1
 EC NO: SH2008-0027
 T DRWN: ALLIN 2007/07/13
 CHKD: 2007/07/13
 APPR: WWSCHANG 2007/07/13

QUALITY SYMBOLS
 ▽=0
 △=0

GENERAL TOLERANCES (UNLESS SPECIFIED)	
mm	INCH
4 PLACES ± .005	± .0004
3 PLACES ± .005	± .0004
2 PLACES ± 0.25	± .010
1 PLACE ± 0.25	± .010
ANGULAR ± 3°	

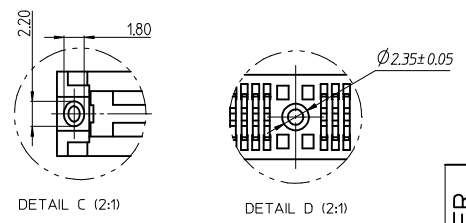
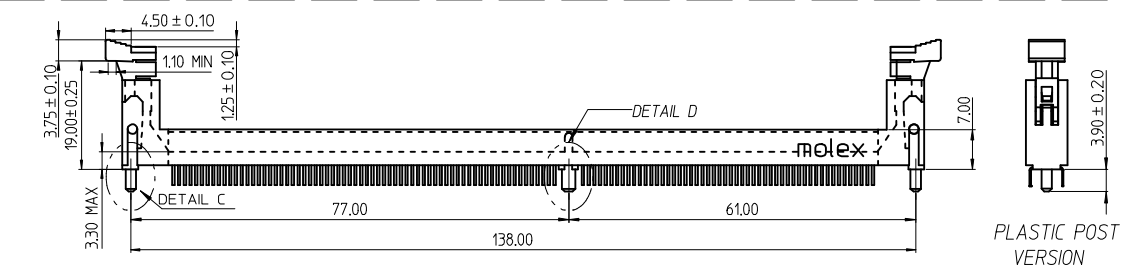
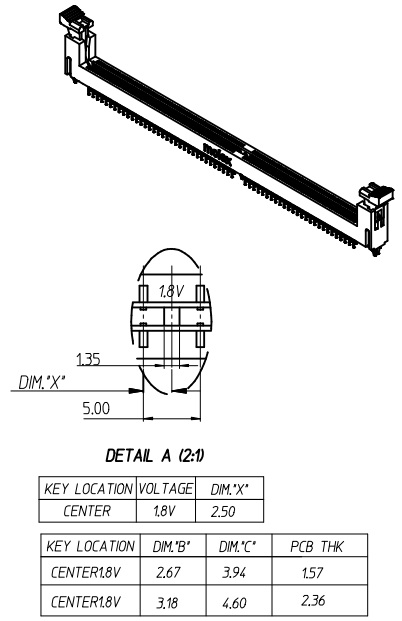
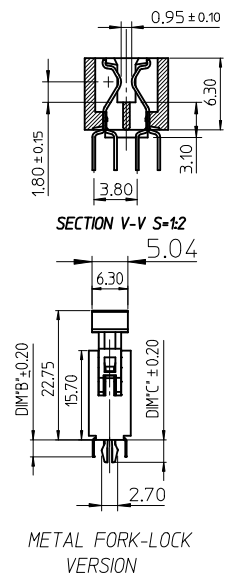
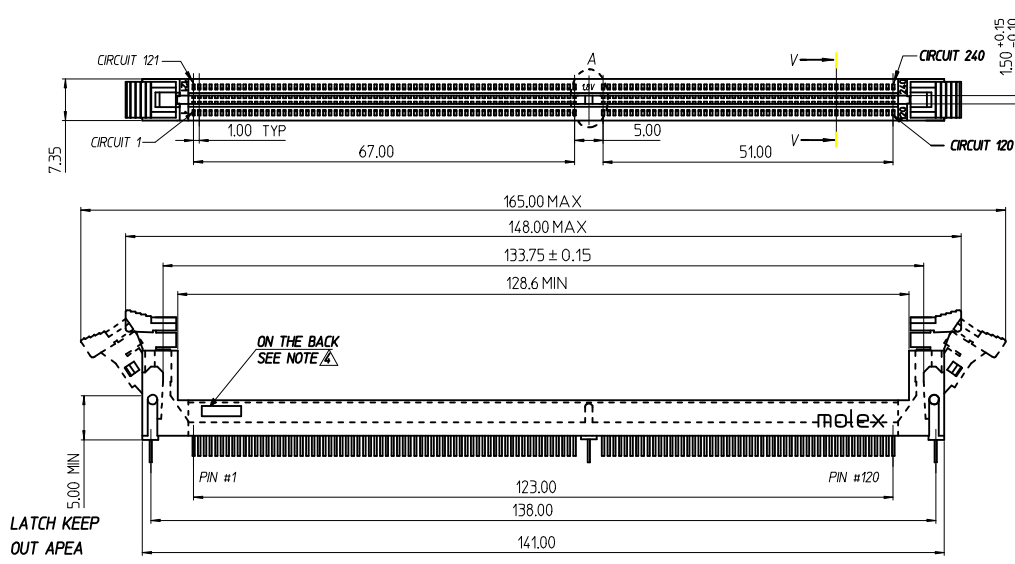
DIMENSION STYLE	
MM ONLY	
DRAWN BY	DATE
TOM	2005/03/26
CHECKED BY	DATE
ALLEN LIN	2005/03/27
APPROVED BY	DATE
WILSON	2005/03/27

SCALE	DESIGN UNITS	THIRD ANGLE PROJECTION
1:1	METRIC	☉
TITLE		
1.0MM PITCH FB DIMM		
240 CKTS VERTICAL SOCKET		
MATERIAL NO.		SHEET NO.
SEE TABLE		6 OF 6
DOCUMENT NO.		
SD-48206-001		

9 8 7 6 5 4 3 2 1

THIS DRAWING CONTAINS INFORMATION THAT IS PROPRIETARY TO MOLEX INCORPORATED AND SHOULD NOT BE USED WITHOUT WRITTEN PERMISSION

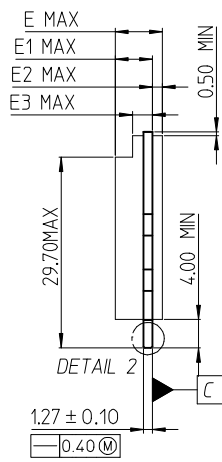
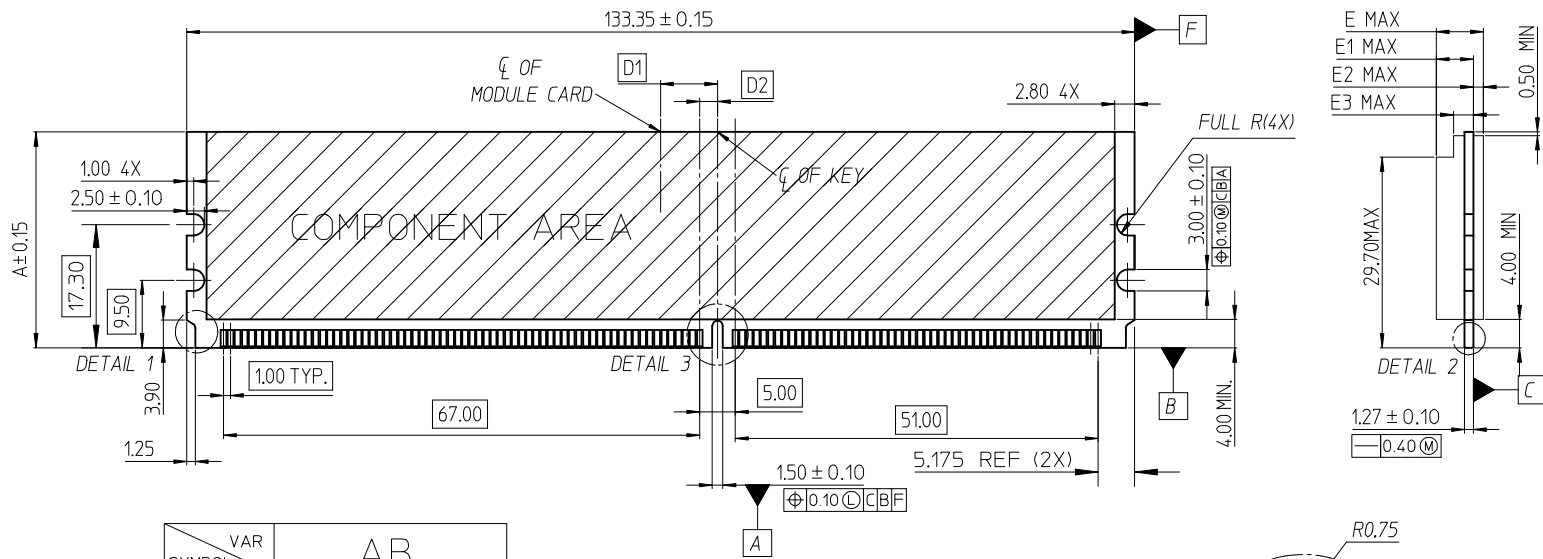
7 6 5 4 3 2 1



NOTES:
 1.MATERIAL:
 HOUSING: NYLON 46, GLASS FIBER FILLED UL94V-0,
 COLOR: SEE TBLE.
 LATCH: NYLON 46, GLASS FIBER FILLED UL94V-0,
 COLOR: SEE TABLE.
 BOARDLOCK: BRASS
 TERMINAL: PHOSPHOR BRONZE.
 2.PLATING:
 TERMINAL :
 CONTACT AREA: GOLD PLATED, THICKNESS : SEE TABLE.
 SOLDER TAIL: 100 MICROINCH MATT TIN OVER NICKEL PLATED OVERALL.
 FORKLOCK: 100 MICROINCH BRIGHT TIN OVER NICKEL PLATED OVERALL
 3.VOLTAGE:1.8V
 4.DATE CODE SHOULD BE LOADED ON THE BACK OF THIS AREA.
 5.PRODUCT SPECIFICATION REFER TO PS-48206-001.
 6.PACKAGING SPECIFICATION REFER TO PK-48206-001.
 7.TEST SUMMARY:REFER TO TS-48206-001.
 8.ELV AND RoHS COMPLIANT PRODUCT

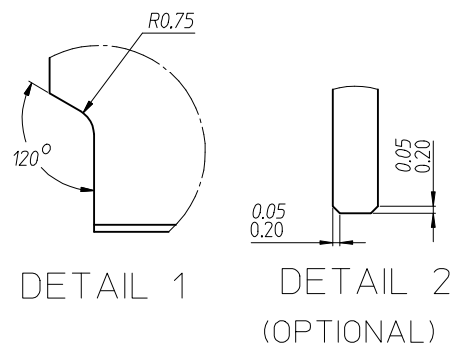
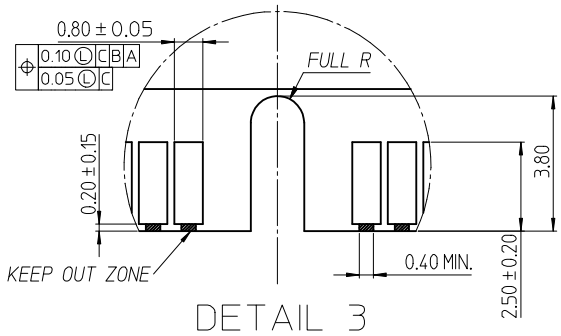
DEL PART NUMBER EC NO: SH2009-0209 DRWN:F.YANG05 CHKD: APPR:HWANG 2008/10/23 2008/10/23 2008/11/06	QUALITY SYMBOLS ▽=0 ▽=0	GENERAL TOLERANCES (UNLESS SPECIFIED)		DIMENSION STYLE MM ONLY		SCALE 2:1		DESIGN UNITS METRIC		THIRD ANGLE PROJECTION		
		4 PLACES ± --- ± ---	3 PLACES ± --- ± ---	2 PLACES ± 0.25 ± ---	1 PLACE ± 0.25 ± ---	DRAWN BY DXUE	DATE 2006/11/06	TITLE 1.0MM PITCH FB DIMM 240 CKTS VERTICAL SOCKET				
		ANGULAR ± 3 °		DRAFT WHERE APPLICABLE MUST REMAIN WITHIN DIMENSIONS		APPROVED BY JENNY	DATE 2006/11/06	MOLEX INCORPORATED				
		MATERIAL NO. SEE TABLE		SIZE A4		DOCUMENT NO. SD-48206-901			SHEET NO. 1 OF 4			

6 5 4 3 2 1

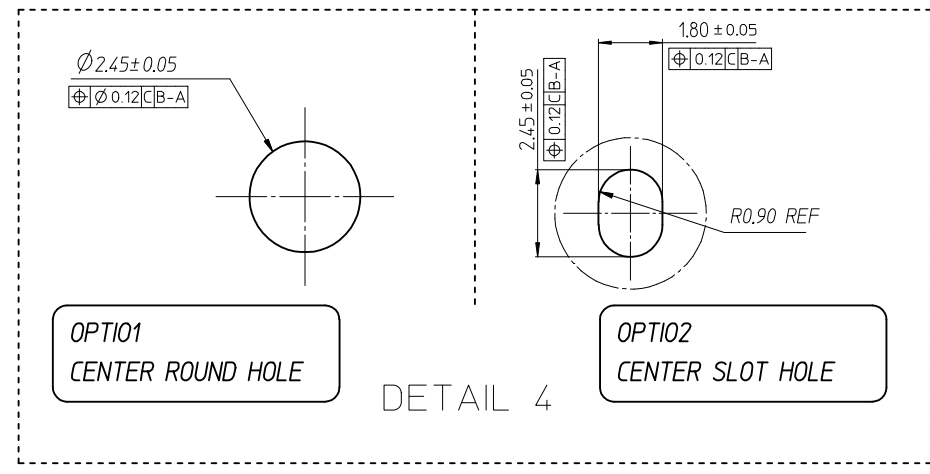
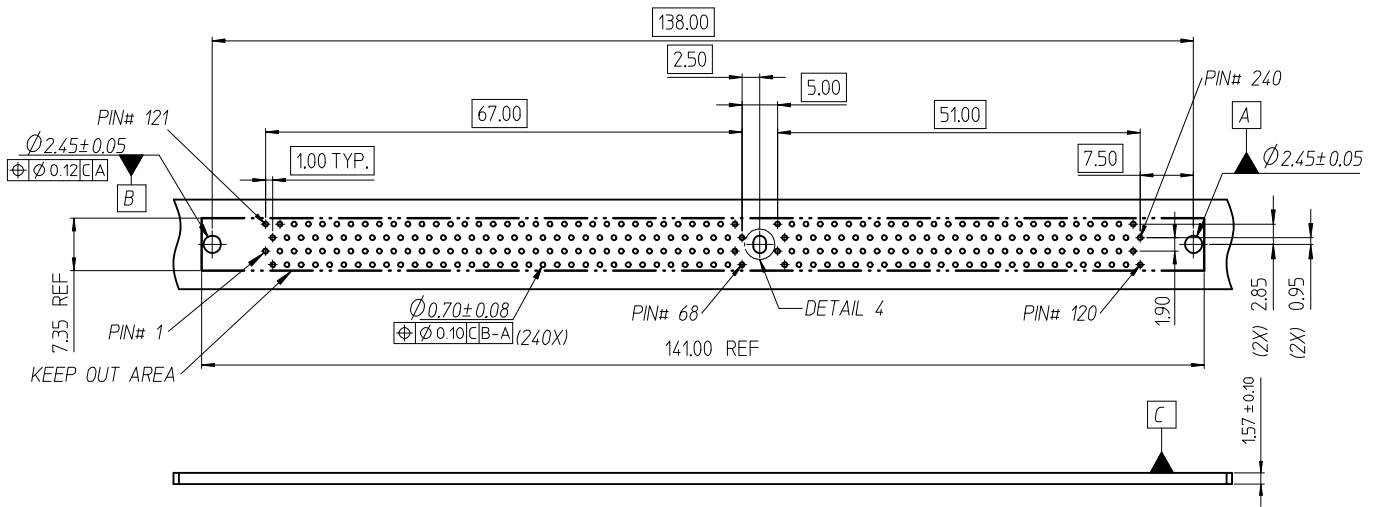


VAR SYMBOL	AB
A	30.35
D1	8.00 BASIC
D2	2.50 BASIC
E	8.20 MAX
E1	6.80 MAX
E2	1.40 MAX
E3	2.80 MAX

NOTES:
 1. TOLERANCE ON ALL DIMENS ± 0.15
 UNLESS OTHERWISE NOTED



SEE SHEET 1 EC NO: SH2009-0209 DRWN: FYANG05 CHKD: APPR: HWANG	2008/10/23 2008/10/23 2008/11/06	DESCRIPTION REV	QUALITY SYMBOLS	GENERAL TOLERANCES (UNLESS SPECIFIED)	DIMENSION STYLE MM ONLY		SCALE 1:1	DESIGN UNITS METRIC	THIRD ANGLE PROJECTION																										
			$\nabla=0$ $\sphericalangle=0$	<table border="1"> <thead> <tr> <th></th> <th>mm</th> <th>INCH</th> </tr> </thead> <tbody> <tr> <td>4 PLACES</td> <td>± ---</td> <td>± ---</td> </tr> <tr> <td>3 PLACES</td> <td>± ---</td> <td>± ---</td> </tr> <tr> <td>2 PLACES</td> <td>± 0.25</td> <td>± ---</td> </tr> <tr> <td>1 PLACE</td> <td>± 0.25</td> <td>± ---</td> </tr> </tbody> </table>		mm	INCH	4 PLACES	± ---	± ---	3 PLACES	± ---	± ---	2 PLACES	± 0.25	± ---	1 PLACE	± 0.25	± ---	<table border="1"> <thead> <tr> <th>DRAWN BY</th> <th>DATE</th> </tr> </thead> <tbody> <tr> <td>DXUE</td> <td>2006/11/06</td> </tr> <tr> <th>CHECKED BY</th> <th>DATE</th> </tr> <tr> <td>HARVEY</td> <td>2006/11/06</td> </tr> <tr> <th>APPROVED BY</th> <th>DATE</th> </tr> <tr> <td>JENNY</td> <td>2006/11/06</td> </tr> </tbody> </table>	DRAWN BY	DATE	DXUE	2006/11/06	CHECKED BY	DATE	HARVEY	2006/11/06	APPROVED BY	DATE	JENNY	2006/11/06	TITLE		MOLEX INCORPORATED DOCUMENT NO. SD-48206-901 SHEET NO. 2 OF 4
				mm	INCH																														
			4 PLACES	± ---	± ---																														
3 PLACES	± ---	± ---																																	
2 PLACES	± 0.25	± ---																																	
1 PLACE	± 0.25	± ---																																	
DRAWN BY	DATE																																		
DXUE	2006/11/06																																		
CHECKED BY	DATE																																		
HARVEY	2006/11/06																																		
APPROVED BY	DATE																																		
JENNY	2006/11/06																																		
DRAFT WHERE APPLICABLE MUST REMAIN WITHIN DIMENSIONS			MATERIAL NO. SEE TABLE																																
THIS DRAWING CONTAINS INFORMATION THAT IS PROPRIETARY TO MOLEX INCORPORATED AND SHOULD NOT BE USED WITHOUT WRITTEN PERMISSION			SIZE A 4																																



SEE SHEET 1
 EC NO: SH2009-0209
 DRWN: FYANG05
 CHKD:
 APPR: HWANG

2008/10/23
 2008/10/23
 2008/11/06

QUALITY SYMBOLS	GENERAL TOLERANCES (UNLESS SPECIFIED)	
	mm	INCH
$\nabla=0$	4 PLACES \pm ---	\pm ---
$\sphericalangle=0$	3 PLACES \pm ---	\pm ---
	2 PLACES ± 0.25	\pm ---
	1 PLACE ± 0.25	\pm ---
	ANGULAR $\pm 3^\circ$	

DIMENSION STYLE	
MM ONLY	
DRAWN BY	DATE
DXUE	2006/11/06
CHECKED BY	DATE
HARVEY	2006/11/06
APPROVED BY	DATE
JENNY	2006/11/06
MATERIAL NO.	
SEE TABLE	

SCALE	DESIGN UNITS	THIRD ANGLE PROJECTION
1:1	METRIC	
TITLE		
1.0MM PITCH FB DIMM 240 CKTS VERTICAL SOCKET		
MOLEX MOLEX INCORPORATED		
MATERIAL NO.	DOCUMENT NO.	SHEET NO.
	SD-48206-901	3 OF 4
THIS DRAWING CONTAINS INFORMATION THAT IS PROPRIETARY TO MOLEX INCORPORATED AND SHOULD NOT BE USED WITHOUT WRITTEN PERMISSION		

7

6

5

4

3

2

1

E

D

C

B

A

E

D

C

B

A

MOLEX P/N	HOUSING COLOR	LATCH COLOR	CONTACT PLATING	SOLDER TAIL APPEARANCE	SOLDERTAIL LENGTH "B"	FORKLOCK WIDTH "C"
48206-0001	BLACK	NATURE (WHITE)	15 MICROINCH GOLD	BRIGHT	2.67	3.94
48206-0003	BLACK	NATURE (WHITE)	15 MICROINCH GOLD	BRIGHT	3.18	4.60
48206-0007	BLACK	NATURE (WHITE)	15 MICROINCH GOLD	MATTE	2.67	3.94
48206-0008	BLACK	NATURE (WHITE)	15 MICROINCH GOLD	MATTE	3.18	4.60
48206-0103	BLACK	BLACK	15 MICROINCH GOLD	BRIGHT	3.18	4.60
48206-4003	BLUE	NATURE (WHITE)	15 MICROINCH GOLD	BRIGHT	3.18	4.60
48206-1001	NATURE (WHITE)	NATURE (WHITE)	15 MICROINCH GOLD	BRIGHT	2.67	3.94
48206-0101	BLACK	BLACK	15 MICROINCH GOLD	BRIGHT	2.67	3.94
48206-4103	BLUE	BLACK	15 MICROINCH GOLD	BRIGHT	3.18	4.60
48206-7318	BLUE	NATURE (WHITE)	15 MICROINCH GOLD	MATTE	3.18	4.60
48206-0002	BLACK	NATURE (WHITE)	30 MICROINCH GOLD	BRIGHT	2.67	3.94

SEE SHEET 1 EC NO: SH2009-0209 DRWN:FYANG05 2008/10/23 CHKD: 2008/10/23 APPR:HWANG 2008/11/06	DESCRIPTION REV	QUALITY SYMBOLS	GENERAL TOLERANCES (UNLESS SPECIFIED)		DIMENSION STYLE MM ONLY		SCALE 1:1	DESIGN UNITS METRIC	THIRD ANGLE PROJECTION			
		=0 =0			mm	INCH	DRAWN BY DXUE	DATE 2006/11/06	TITLE 1.0MM PITCH FB DIMM 240 CKTS VERTICAL SOCKET			
			4 PLACES	± ---	± ---		CHECKED BY HARVEY	DATE 2006/11/06				
			3 PLACES	± ---	± ---		APPROVED BY JENNY	DATE 2006/11/06				
			2 PLACES	± 0.25	± ---		MATERIAL NO.		DOCUMENT NO.		SHEET NO.	
			1 PLACE	± 0.25	± ---	SEE TABLE		SD-48206-901		4 OF 4		
DRAFT WHERE APPLICABLE MUST REMAIN WITHIN DIMENSIONS					SIZE A 4		THIS DRAWING CONTAINS INFORMATION THAT IS PROPRIETARY TO MOLEX INCORPORATED AND SHOULD NOT BE USED WITHOUT WRITTEN PERMISSION					

6

5

4

3

2

1