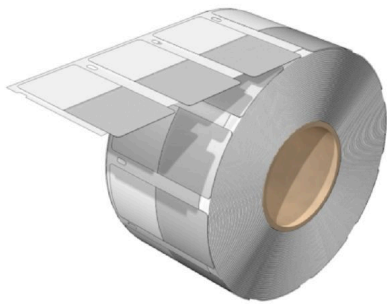


**THM WO-Q VIN 25/51.4 WS**

**Weidmüller Interface GmbH & Co. KG**  
Klingenbergstraße 26  
D-32758 Detmold  
Germany

www.weidmueller.com



THM WriteOn cable markers on reels are used for labelling conductors and cables with an outside diameter of up to 36 mm. The transparent adhesive strip fixes and protects the printing on the marker surface.

- Protection of the marking against dirt and abrasion by wrapping it with the transparent adhesive strip
- Simple and quick printing with the high-quality thermal transfer printers

**General ordering data**

Version	THM, Conductor and cable markers, 4.5 - 9 mm, 25 x 51.4 mm, white
Order No.	<a href="#">2711940000</a>
Type	THM WO-Q VIN 25/51.4 WS
GTIN (EAN)	4050118749991
Qty.	1000 items

## THM WO-Q VIN 25/51.4 WS

Weidmüller Interface GmbH & Co. KG  
Klingenbergstraße 26  
D-32758 Detmold  
Germany

www.weidmueller.com

## Technical data

## Approvals

ROHS	Conform
------	---------

## Dimensions and weights

Depth	0.08 mm	Depth (inches)	0.0031 inch
Height	25 mm	Height (inches)	0.9842 inch
Width	51.4 mm	Width (inches)	2.0236 inch
Net weight	0.27 g		

## Temperatures

Operating temperature range	-40...80 °C
-----------------------------	-------------

## Environmental Product Compliance

RoHS Compliance Status	Compliant without exemption
REACH SVHC	No SVHC above 0.1 wt%

## General data

Adhesive	Polyacrylate adhesive	
Orientation of print	horizontal and vertical	
Type of printing	neutral	
Width	51.4 mm	
UL 94 flammability rating	V-0	
Operating temperature range, max.	80 °C	
Operating temperature range, min.	-40 °C	
Colour	white	
Halogen	Yes	
Basic material	Vinyl film	
Printed characters	without	
Number of markers per packaging unit	Form of supply	Label reel
Approval acc. to UL 969	Yes	
compatible printer	<a href="#">THM MULTIMARK</a> , <a href="#">THM MULTIMARK PLUS</a>	
Number of markers per combination	1 Label reel = Conductor and cable markers	
Operating temperature range	-40...80 °C	
Number per roll	1000	

## Conductor and cable markers

Halogen	Yes	Conductor cross-section, max.	63 mm <sup>2</sup>
Conductor O.D., max.	9 mm	Conductor O.D., min.	4.5 mm
Conductor O.D.	4.5 - 9 mm	Cross-section for connected wire	63 mm <sup>2</sup>

## Classifications

ETIM 6.0	EC001530	ETIM 7.0	EC001530
ETIM 8.0	EC001530	ETIM 9.0	EC001530
ETIM 10.0	EC001530	ECLASS 9.0	27-40-04-01
ECLASS 9.1	27-40-04-01	ECLASS 10.0	27-40-04-01
ECLASS 11.0	27-28-11-02	ECLASS 12.0	27-28-11-02
ECLASS 13.0	27-28-11-02	ECLASS 14.0	27-28-11-02
ECLASS 15.0	27-28-11-02		

**Drawings**



## THM WO-Q VIN 25/51.4 WS

**Weidmüller Interface GmbH & Co. KG**  
Klingenbergstraße 26  
D-32758 Detmold  
Germany

[www.weidmueller.com](http://www.weidmueller.com)

## Accessories

### Ink ribbons



These printers produce excellent printing results thanks to the thermal transfer technique. Different materials and the user-friendly printing system under Windows optimise marking efforts.

### General ordering data

Type	RIBBON MM 76/360 SW	Version	
Order No.	<a href="#">2005080000</a>	Ink ribbon	
GTIN (EAN)	4050118389951		
Qty.	1 ST		
Type	RIBBON MM 110/360 SW	Version	
Order No.	<a href="#">2005070000</a>	Ink ribbon	
GTIN (EAN)	4050118390049		
Qty.	1 ST		