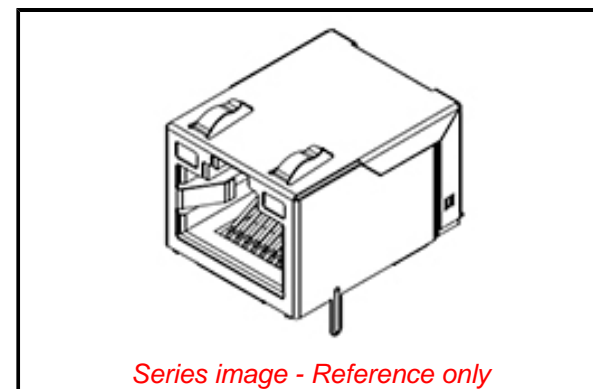


PLEASE CHECK WWW.MOLEX.COM FOR LATEST PART INFORMATION

Part Number: [0480749103](#)
Status: **Active**
Overview: [Magnetic Jacks](#)
Description: Modular Jack, Right-Angle, Surface Mount, with Integrated Magnetics and LED, with Top Panel Grounding Tabs, 8/8, Lead-Free

Documents:

[Drawing \(PDF\)](#) [Test Summary TS-48074-006-001 \(PDF\)](#)
[Product Specification PS-48074-006-001 \(PDF\)](#) [RoHS Certificate of Compliance \(PDF\)](#)
[Packaging Specification PK-48074-101 \(PDF\)](#)



General

Product Family	Modular Jacks/Plugs
Series	48074
Comments	With LED Surface Mount Type, With LED Surface Mount Type
Component Type	PCB Jack
Magnetic	Yes
Overview	Magnetic Jacks
Performance Category	5, 5e
Power over Ethernet (PoE)	Non-PoE
Product Name	Modular Jack 8/8, RJ45
UPC	887191646930

Physical

Boot Color	N/A
Color - Resin	Black
Durability (mating cycles max)	750
Inverted / Top Latch	Yes
Jack Height	13.30mm
Keying to Mating Part	Yes
Lightpipes/LEDs	LEDs
Material - Metal	Brass, Phosphor Bronze
Material - Plating Mating	Gold
Material - Plating Termination	Tin
Material - Resin	High Temperature Thermoplastic
Net Weight	5.650/g
Orientation	Right Angle (Side Entry)
PCB Locator	Yes
PCB Retention	Yes
PCB Thickness - Recommended	1.60mm
Packaging Type	Embossed Tape on Reel
Pitch - Mating Interface	1.02mm
Pitch - Termination Interface	1.02mm
Plating min - Mating	0.762µm
Plating min - Termination	2.540µm
Port Configuration	1x1
Positions / Loaded Contacts	8/8
Surface Mount Compatible (SMC)	Yes
Temperature Range - Operating	-40° to +85°C
Termination Interface: Style	Surface Mount
Waterproof / Dustproof	No
Wire/Cable Type	N/A

Electrical

Current - Maximum per Contact	1.5A
Grounding to PCB	Yes

EU ELV

Not Relevant

EU RoHS

Compliant

REACH SVHC

Not Contained Per
-ED/88/2018 (15
January 2019)

Halogen-Free

Status

Not Low-Halogen

For more information, please visit [Contact US](#)

China ROHS

ELV

RoHS Phthalates

China RoHS

Green Image

Not Relevant

Not Contained

Search Parts in this Series

[48074 Series](#)

Mates With

FCC 68 Plugs

Grounding to Panel
Shielded
Voltage - Maximum

Top Panel Ground Tabs
Yes
5.5V DC

Material Info

Reference - Drawing Numbers

Packaging Specification
Product Specification
Sales Drawing
Test Summary

PK-48074-101
PS-48074-006-001
SD-48074-103
TS-48074-006-001

This document was generated on 02/22/2020

PLEASE CHECK WWW.MOLEX.COM FOR LATEST PART INFORMATION