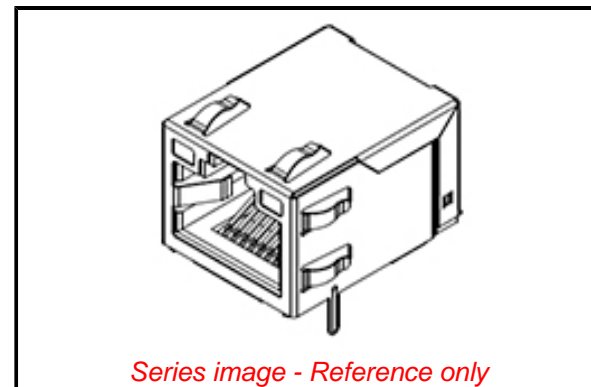


PLEASE CHECK WWW.MOLEX.COM FOR LATEST PART INFORMATION

Part Number: **0480749101**
Status: **Active**
Overview: Magnetic Jacks
Description: Modular Jack, Right-Angle, Surface Mount, with Integrated Magnetics and LED, with all Panel Grounding Tabs, 8/8, Lead-Free

Documents:

3D Model	Packaging Specification PK-48074-101 (PDF)
3D Model (PDF)	Test Summary TS-48074-006-001 (PDF)
Drawing (PDF)	RoHS Certificate of Compliance (PDF)
Product Specification PS-48074-006-001 (PDF)	



Series image - Reference only

General

Product Family	Modular Jacks/Plugs
Series	48074
Comments	With LED Surface Mount Type
Component Type	PCB Jack
Magnetic	Yes
Overview	<u>Magnetic Jacks</u>
Performance Category	5, 5e
Power over Ethernet (PoE)	Non-PoE
Product Name	Modular Jack 8/8, RJ45
UPC	887191646923

Physical

Boot Color	N/A
Color - Resin	Black
Durability (mating cycles max)	750
Inverted / Top Latch	Yes
Jack Height	13.30mm
Keying to Mating Part	Yes
Lightpipes/LEDs	LEDs
Material - Metal	Brass, Phosphor Bronze
Material - Plating Mating	Gold
Material - Plating Termination	Tin
Material - Resin	High Temperature Thermoplastic
Net Weight	5.600/g
Orientation	Right Angle (Side Entry)
PCB Locator	Yes
PCB Retention	Yes
PCB Thickness - Recommended	1.60mm
Packaging Type	Embossed Tape on Reel
Pitch - Mating Interface	1.02mm
Pitch - Termination Interface	1.02mm
Plating min - Mating	0.762µm
Plating min - Termination	2.540µm
Port Configuration	1x1
Positions / Loaded Contacts	8/8
Surface Mount Compatible (SMC)	Yes
Temperature Range - Operating	-40° to +85°C
Termination Interface: Style	Surface Mount
Waterproof / Dustproof	No
Wire/Cable Type	N/A

Electrical

Current - Maximum per Contact	1.5A
Grounding to PCB	Yes

EU ELV

Not Relevant

EU RoHS

Compliant

REACH SVHC

Not Contained Per -
D(2020)4578-DC (25
June 2020)

Halogen-Free

Status

Not Low-Halogen

For more information, please visit [Contact US](#)

China ROHS

ELV

RoHS Phthalates

China RoHS

Green Image

Not Relevant

Not Contained

Search Parts in this Series

48074 Series

Mates With

FCC 68 Plugs

Grounding to Panel
Shielded
Voltage - Maximum

With All Panel Grounding Tabs
Yes
5.5V DC

Material Info

Reference - Drawing Numbers

Packaging Specification
Product Specification
Sales Drawing
Test Summary

PK-48074-101
PS-48074-006-001
SD-48074-102
TS-48074-006-001

This document was generated on 09/23/2020

PLEASE CHECK WWW.MOLEX.COM FOR LATEST PART INFORMATION