

THIS DRAWING IS UNPUBLISHED.

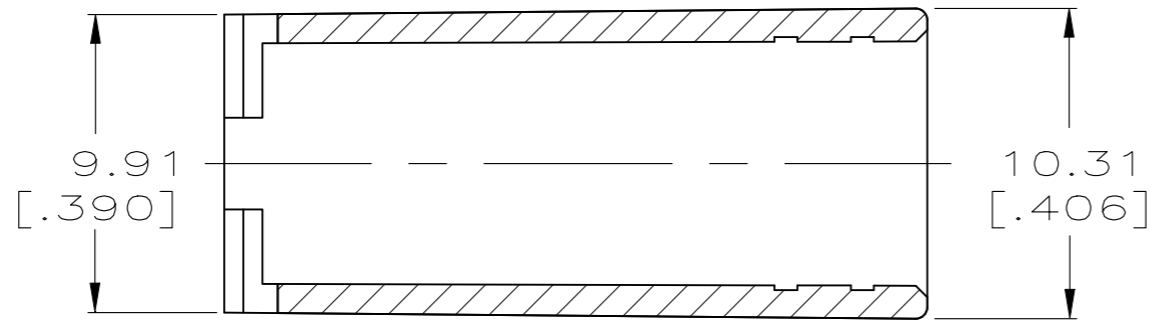
RELEASED FOR PUBLICATION

REVISIONS

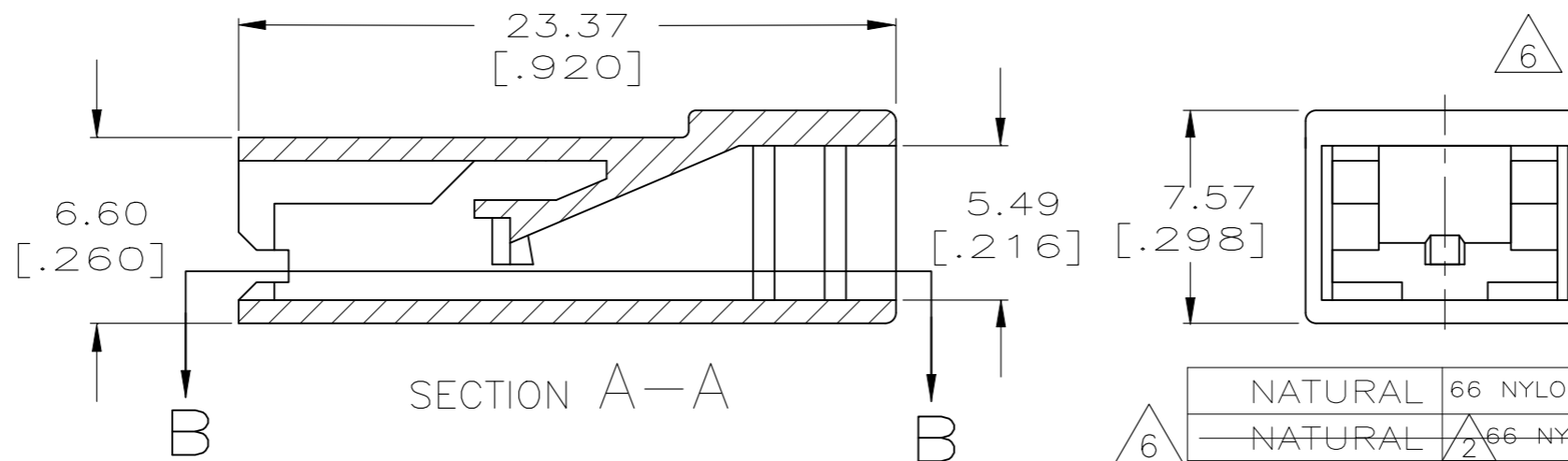
© COPYRIGHT - By -

ALL RIGHTS RESERVED.

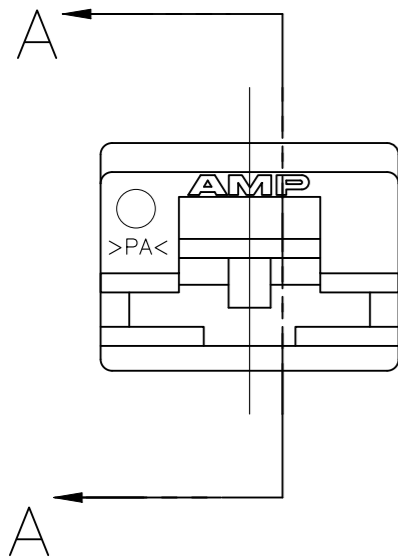
P	LTR	DESCRIPTION	DATE	DWN	APVD
AS1		REVISED PER ECR-23-190819	23NOV2023	DB	RE



SECTION B-B



SECTION A-A



1 SPECIAL PACKAGING QUANTITIES.

2 POLYAMIDE ACCORDING TO IEC 60335-1, GLOW WIRE.

3 PRELIMINARY - NOT FOR PRODUCTION

5 CONTACT PRODUCT ENGINEERING FOR TERMINAL RECOMMENDATIONS WHEN USING THIS INSULATOR WITH 10 AWG WIRE

6 SUPERSEDED BY 2-480416-5

	NATURAL	66 NYLON, UL94 V0 150C		2-480416-4
	NATURAL	66 NYLON, UL94 V0		2-480416-3
	NATURAL	UL94 V2		2-480416-2
	NATURAL	6/6 NYLON		2-480416-1
	NATURAL	UL94 5VA RATED		2-480416-0
	NATURAL	4/6 NYLON UL 150		1-480416-8
	NATURAL	66 NYLON, V0		1-480416-7
	NATURAL	POLYESTER		1-480416-6
	RED	6/6 NYLON		1-480416-4
	BLUE			1-480416-3
	BLACK			1-480416-1
	NATURAL			1-480416-0
	FINISH	MATERIAL		PART NO

SUPERSEDED BY 2-480416-5

SUPERSEDED BY 1-480416-0

OBSOLETE

SUPERSEDED BY 1-480416-0

THIS DRAWING IS A CONTROLLED DOCUMENT.

DWN JR RUTH 2/4/91

CHK P FORTNEY 2/4/91

APVD C MEYERS 2/4/91

PRODUCT SPEC

APPLICATION SPEC

WEIGHT

CUSTOMER DRAWING

STE TE Connectivity

HOUSING, RECEPTACLE, FASTON, 6.35 [.250] SERIES

SIZE CAGE CODE DRAWING NO RESTRICTED TO

A3 00779 C-480416

SCALE 4:1 SHEET 1 OF 1 REV AS1

2	NATURAL	66 UL NYLON V0 NATURAL	2-480416-5
	BLACK	66/6 V0 BLACK	480416-2
	NATURAL	66/6 V0 NATURAL	480416-1
	FINISH	MATERIAL	PART NO

DIMENSIONS: mm [INCHES]		TOLERANCES UNLESS OTHERWISE SPECIFIED:	
	0 PLC	± -	
	1 PLC	± -	
	2 PLC	± 0.38 [.015]	
	3 PLC	± -	
	4 PLC	± -	
	ANGLES	± -	
MATERIAL	FINISH		
SEE TABLE	SEE TABLE		