

- ▶ Products
- ▶ Design Resources
- ▶ Technical Info
- ▶ Global Sales

---Useful Links---

Quick Reference

Search by part #

Check distributor part inventory

Stock Check

[CLICK HERE!](#)

[Products](#) / [Bonded Fin](#) / [Standard Parts](#)

Standard Parts



Products

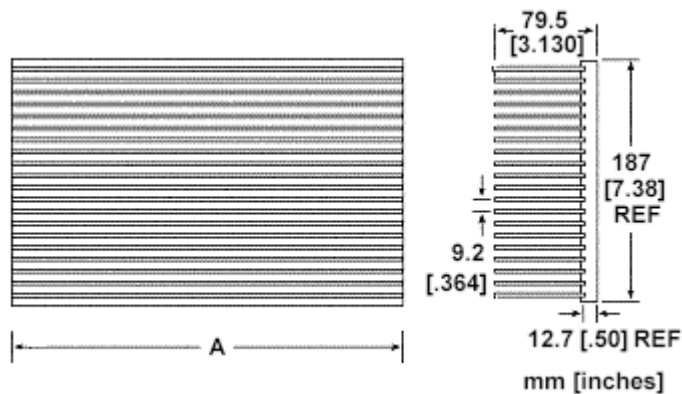
Browse Heat sinks

- By Device -
- By Product Line -
- Attachment Methods -
- Interface Materials -
- Accessories -

Natural Convection Models

Part Number	Figure	Flanges	A Dimension	B Dimension	C/W
476700	1	None	178 mm [7.0"]	n/a	0.30
476800	1	None	305 mm [12.0"]	n/a	0.22
476900	2	25 mm [1"] wide	178 mm [7.0"]	64 mm [2.50"]	0.30
477000	2	25 mm [1"] wide	305 mm [12.0"]	127 mm [5.00"]	0.22

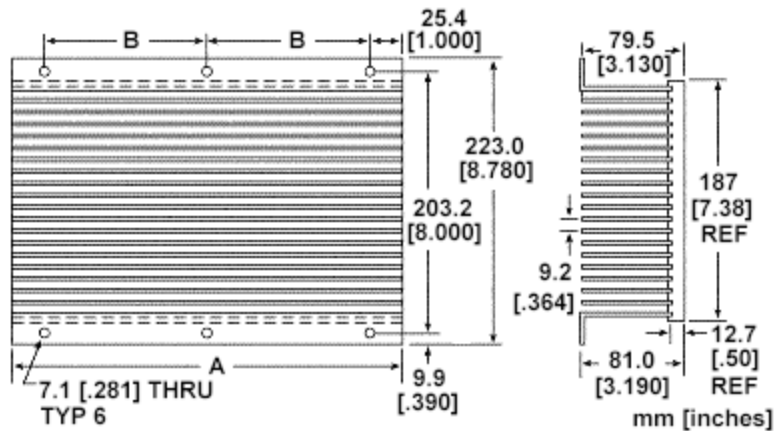
Figure 1: Unflanged Mechanical Drawing



Useful Links

- [MSDS Safety Sheets](#)
- [How to order?](#)
- [Find Sales Rep](#)
- [Find Distributor](#)
- [Sample Request](#)
- [Quote Request](#)
- [Catalog Request](#)
- [Building a part #](#)
- [Part # Cross Ref](#)

Figure 2: Flanged Mechanical Drawing



Forced Convection Models

Part Number	Figure	A Dimension	B Dimension	C Dimension	° C/W*
476200	3	178 mm [7.0"]	241 mm [9.50"]	95 mm [3.75"]	0.08
476300	3	305 mm [12.0"]	368 mm [14.50"]	159 mm [6.25"]	0.06
476400	4	305 mm [12.0"]	371 mm [14.59"]	152 mm [6.00"]	0.028
476500	4	358 mm [14.0"]	421 mm [16.59"]	178 mm [7.00"]	0.025
476600	4	406 mm [16.0"]	472 mm [18.59"]	203 mm [8.00"]	0.024

* Thermal performance based on 100 CFM fan(s). Mounting pattern shown fits standard "muffin" fan(s)

Figure 3: Single Fan Mount Mechanical Drawing

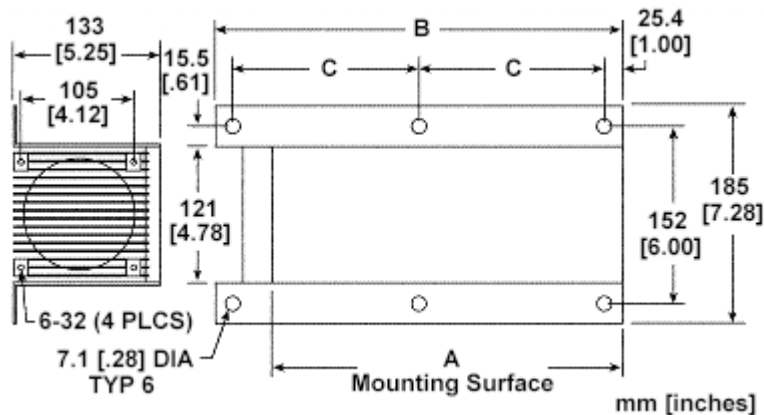
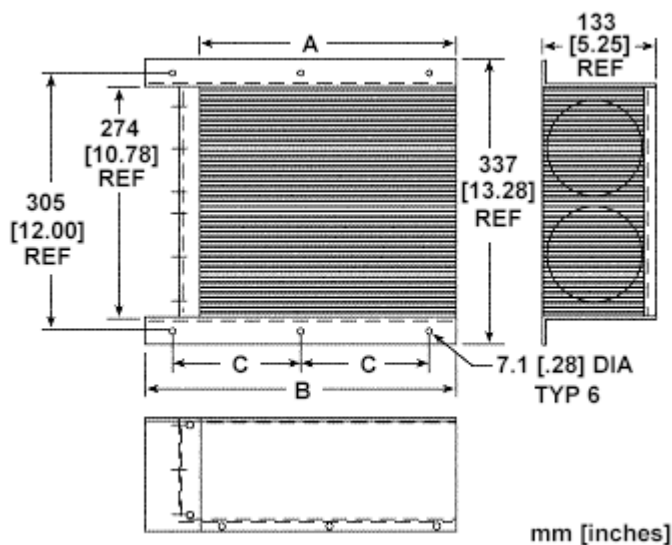


Figure 4: Dual Fan Mount Mechanical Drawing



Options

Standard bonded fin heat sinks are available finished or unfinished. When ordering, add the following letter designations as the seventh position in the part number.

Finish	Designation
Unfinished	U
Gold Chromate	C
Clear Chromate	L

Example:

To order forced convection part #476700 with a gold chromate finish, use 476700C.

120 VAC fans may also be added to the bonded fin heat sink. When ordering, add the following number designation to the end of the part number.

Number of Fans	Designation
1	01100
2	02200

Example:

To order the forced convection part #476700 with a gold chromate finish and two 120 VAC fans, use 476700C02200.

[Home](#) • [Aavid's Family of Companies](#) • [Sitemap](#)
[Disclaimer Statement](#) • ©2004 Aavid Thermalloy, LLC