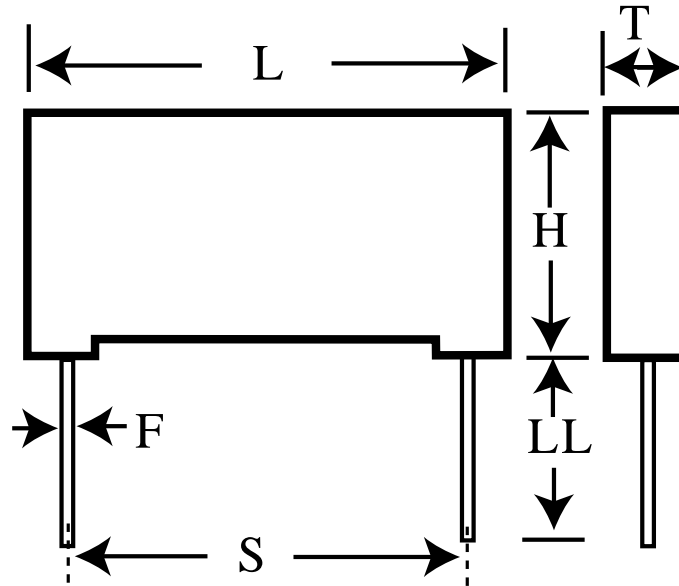


Capacitor, film, 0.033 uF, +/-10% Tol, -40/+110C, Safety: X2, 440VAC, Lead Spacing=15 mm



Dimensions (mm)

Specifications

ID	Dimension	Tolerance
L	18	+0.3
H	12	+0.1
T	6	+0.2
S	15	
LL	4	+2
F	0.6	+/-0.05

Manufacturer:	KEMET
Brand:	Arcotronics
Capacitance:	0.033 uF
Temperature Range:	-40/+110C
Rated Temperature:	110C
Voltage @ rated temp:	1000V
Voltage AC:	440VAC
Tolerance:	+/-10%
Body Type:	Radial Box
Construction:	Wound
Application:	Safety: X2
Dissipation Factor @ 1 kHz:	0.1%
Insulation Resistance:	100 GOhm
Maximum dVdT:	600v/us
UL_1414:	250V
UL_1283:	440V
IEC_60384-14:	440V
Package Kind:	Bulk
Package Type:	Bag
Package Quantity:	1750