

4700-4800 series

Momentary or alternate action
pushbutton switches



DISTINCTIVE FEATURES

Momentary or alternate

Butt action contacts

UL, CSA and VDE (EN 61058-1) approved



ELECTRICAL SPECIFICATIONS

- Max. current/voltage rating with resistive load :
 - silver contacts (A) : 3 A 250 VAC - 6 A 125 VAC
 - copper contacts (C) : 2 A 250 VAC - 4 A 125 VAC
- Initial contact resistance : 10 mΩ max.
- Insulation resistance : 1,000 MΩ min. at 500 VDC
- Dielectric strength : 2,000 Vrms 50 Hz min. between terminals
3,000 Vrms 50 Hz min. between terminals and frame
- Electrical life : 10,000 cycles at full load



GENERAL SPECIFICATIONS

- Torque : 0.95 Nm (.70 Ft.lb) max. applied to nut
- Panel thickness : 5 mm (.196) max. between 2 nuts
- Total travel : 4.5 mm (.177) +/- 0,5 (.019)
- Operating temperature : -20 °C to +65 °C (-4 °F to +149 °F)
- Hand soldering : 270 °C (518 °F) max. for 10 seconds max. -
Iron Ø 3 mm (.118)



MATERIALS

- Case : melamine-phenolic
- Plunger : polyamide
- Bushing : polyamide
- Contacts :
 - A : silver
 - C : copper, silver plated

APEM products may be recycled at end-of-life for the re-claiming of valuable metal components.

The company reserves the right to change specifications without notice.



4700-4800 series

Momentary or alternate action pushbutton switches



MOUNTING

- Panel cut-out : Ø 12.2 mm (.480)

AGENCY APPROVALS



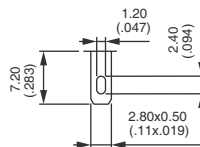
Models 4731A, 4736A, 4741A, 4746A are UL, CSA and VDE (EN 61058-1) approved.

Models 4831A, 4836A, 4841A, 4846A are VDE (EN 61058-1) approved.

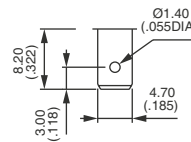
Marking : to order switches marked UL/CSA, complete appropriate box of ordering format. VDE is standard marked.



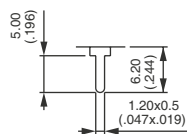
TERMINALS



Solder lug



Quick-connect

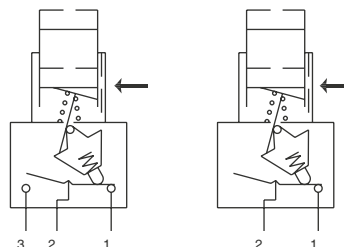


Straight PC terminals



ELECTRICAL FUNCTIONS

→ KEYWAY



Function 6 (ON-ON)

Functions 1 and 3

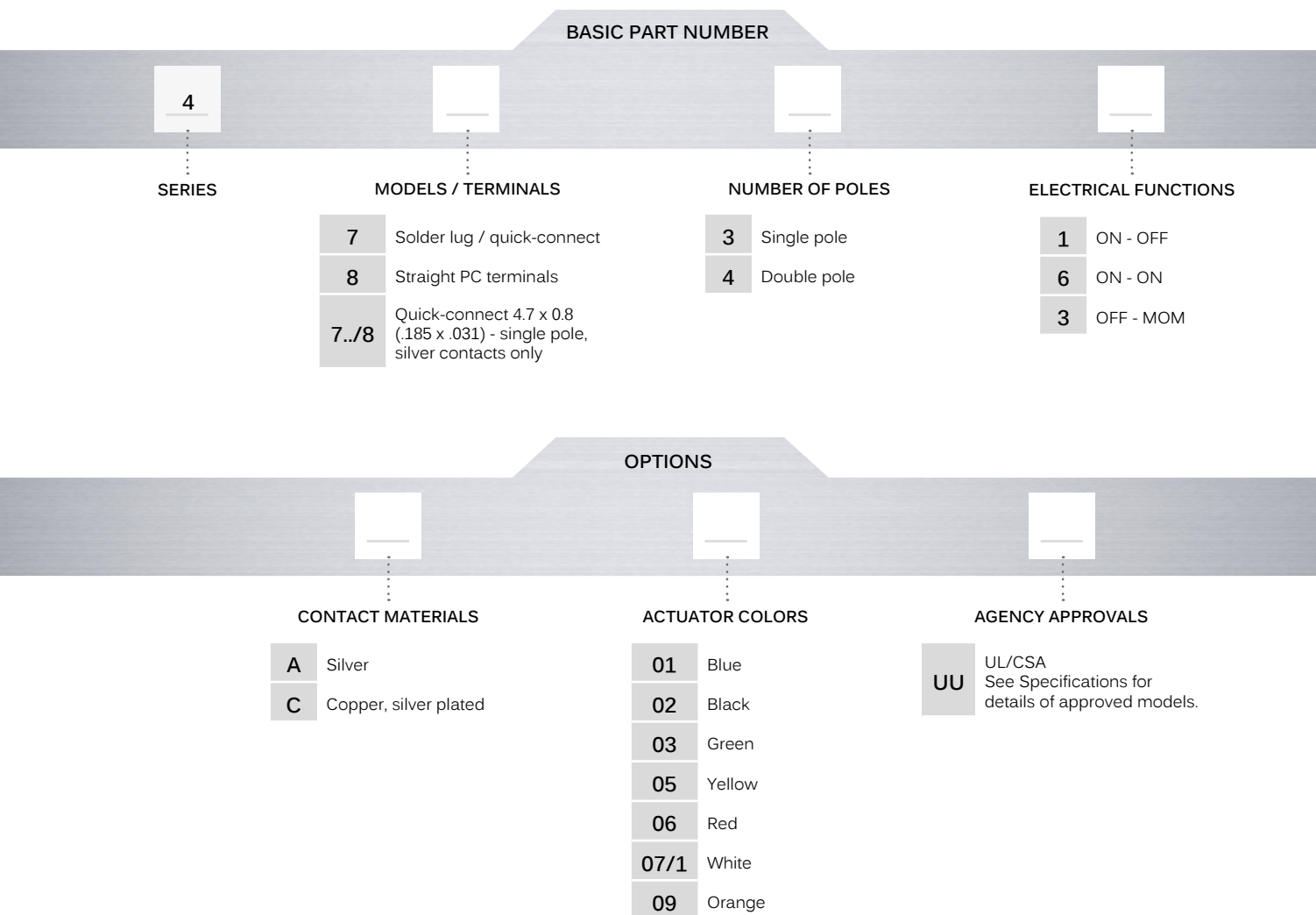
- Button returns in upper position after actuation

4700-4800 series

Momentary or alternate action pushbutton switches



BUILD YOUR PART NUMBER



ABOUT THIS SERIES

On the following pages, you will find successively basic part numbers of switches and options in the same order as in above chart.

- Notice** : please note that not all combinations of above numbers are available. Refer to the following pages for further information.
- Sealing boots** are available to protect the switches against dust and water. See "Sealing Boots" section of website.
- Mounting accessories** : standard hardware supplied with all models : 1 hex nut U166 and 1 knurled nut U520 in the same color as the plunger. Standard hardware is presented in the "Hardware" section of website.

4700-4800 series

Momentary or alternate action pushbutton switches

SOLDER LUG/QUICK-CONNECT TERMINALS



Single pole	Double pole		
4731	4741	ON	- OFF
4736	4746	ON	- ON
4733	4743	OFF	- MOM

STRAIGHT PC TERMINALS



Single pole	Double pole		
4831	4841	ON	- OFF
4836	4846	ON	- ON
4833	4843	OFF	- MOM

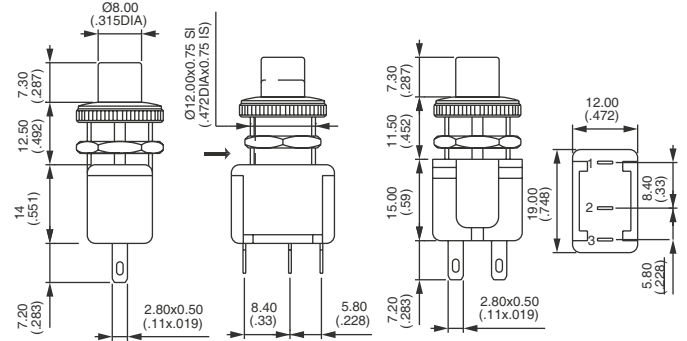
QUICK-CONNECT TERMINALS 4.7 x 0.8 (.185 x .031)



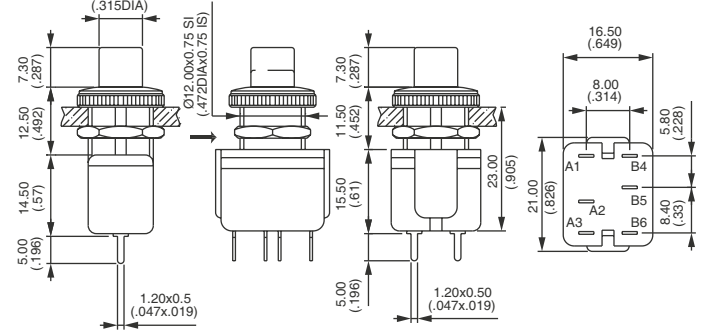
4731/8	ON	- OFF
4736/8	ON	- ON
4733/8	OFF	- MOM

Available with silver contact only.
Minimum order : 1,000 pieces per type in one shipment.

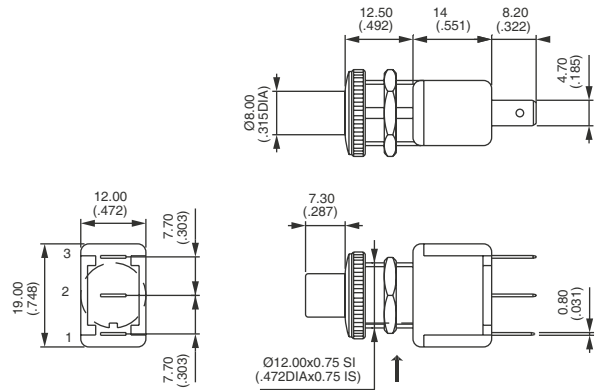
→ KEYWAY



→ KEYWAY



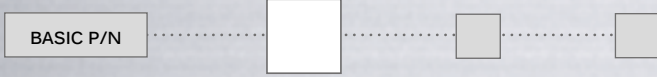
→ KEYWAY



4700-4800 series

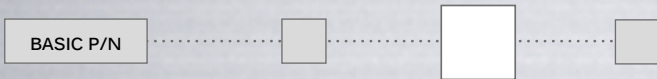
Momentary or alternate action
pushbutton switches

CONTACT MATERIALS



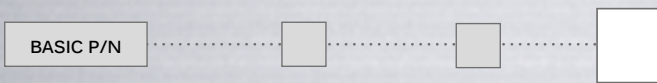
- A Silver
- C Copper, silver plated (not available on models with quick-connect terminals /8)

ACTUATOR COLORS



- 01 Blue
- 02 Black
- 03 Green
- 05 Yellow
- 06 Red
- 07/1 White
- 09 Orange

AGENCY APPROVALS



- UU UL-CSA

Availability : see specifications for details or approved models.

Marking : to order switches marked UL-CSA, complete above box with "UU".

VDE approval is standard marked.

Mouser Electronics

Authorized Distributor

Click to View Pricing, Inventory, Delivery & Lifecycle Information:

[Apem:](#)

[4746A02UU](#) [4836A02](#) [4843A02](#) [4731A02UU](#) [4731A06UU](#) [4733A02UU](#) [4736A02UU](#) [4741A02UU](#) [4741A06UU](#)
[4743A02UU](#) [47318A06](#) [4736A02UUX2016](#) [4743C02](#) [4833A02](#)