

IEC Plug E, Cord Connector (Rewireable), Straight, max. cable Diameter 8.5 mm



4732/4735



Description

- Cord Connectors (rewireable):
Screw-on mounting
- Appliance Inlet, Pin temperature 70 °C, Protection class I
- Cable

Approvals

- VDE Certificate Number: 40010731
- UL File Number: E96454
- CSA File Number: 56242

References

Substitute for type 8143

Weblinks

[General Product Information](#), [Approvals](#), [RoHS](#), [CHINA-RoHS](#), [Mating Connectors](#), [e-Store](#), [SCHURTER-Stock-Check](#), [Distributor-Stock-Check](#), [Accessories](#)

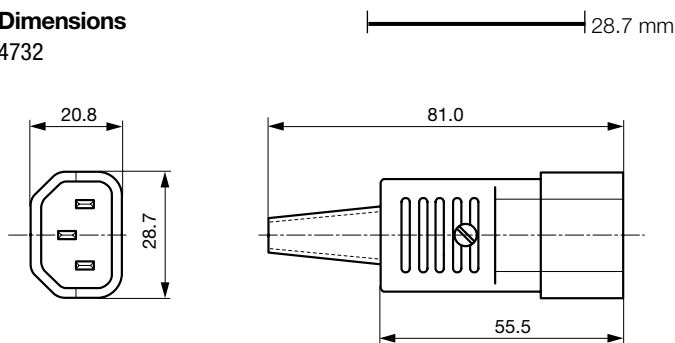
Technical Data

Ratings IEC	10 A / 250 VAC; 50 Hz
Ratings UL/CSA	10 A / 250 VAC; 60 Hz
Dielectric Strength	> 2 kVAC between L-N > 2 kVAC between L/N-PE (1 min/50 Hz)
Allowable Operation Temp.	-25 °C to 70 °C
Protection Class	Suitable for appliances with protection class 1 acc. to IEC 61140
Terminal	Cable
Material: Housing	Thermoplastic, black, UL 94V-0

Plug	E acc. to IEC/EN 60320-2-2, UL 498, CSA C22.2 no. 42 (for cold conditions) pin-temperature 70 °C, 10A, Protection Class 1
------	--

Dimensions

4732



Variants

Color	Max. cable diameter	Max. wire size	Order Number
black	8.5 mm	3 x 1 mm ² / 3 x 18 AWG	4732.0000

Max. torque for screws: Terminal: 0.5 Nm, Cable clamp: 0.3 Nm, Cover: 0.3 Nm

Cord retaining clamp see accessories

Packaging unit

100 Pcs

Accessories

Description



Cord retaining kits
Cord retaining strain relief

Countersunk, D	4700.0004
Flat head, E	4700.0005

Mating Outlets/Connectors

Category / Description

Appliance Outlet Overview complete



IEC Appliance Outlet F, Screw-on Mounting, Front Side, Solder Terminal	4787
IEC Appliance Outlet F, Snap-in Mounting, Front Side, Solder or Quick-connect Terminal	4788
IEC Appliance Outlet F, Screw-on Mounting, Front Side, Solder or Quick-connect Terminal	6600-3
IEC Appliance Outlet F, Snap-in Mounting, Front Side, Solder or Quick-connect Terminal	6600-4

Appliance Outlet further types to 4732

Appliance Outlet shuttered Overview complete



IEC Appliance Outlet F Shuttered, Screw-on Mounting, Front Side, Solder or Quick-connect Terminal	4721
IEC Appliance Outlet F Shuttered, Snap-in Mounting, Front Side, Solder or Quick-connect Terminal	4723

Appliance Outlet shuttered further types to 4732

Connector Overview complete



IEC Connector C15, Rewireable, Straight	0101
IEC Connector C15A, Rewireable, Straight	0102
IEC Connector C15A, Rewireable, Straight	0102-G
IEC Connector C15A, Rewireable, Angled	0112
IEC Connector C13, Rewireable, Angled	4012

Connector further types to 4732

Distribution Unit Overview complete



Distribution Unit for Snap-in Mounting with 1 IEC Appliance Inlet C14 and 1 Appliance Outlet F	0712
Strip Block for Snap-in Mounting with up to 7 IEC Appliance Outlets F	0909
Distribution Unit with 1 IEC Appliance Inlet C14 or Power Cord, 4 IEC Appliance Outlets F and Extra Components	4740
Distribution Unit with 1 IEC Appliance Inlet C14 and 2 Appliance Outlets F, Shuttered	4741
Distribution Unit with 1 IEC Appliance Inlet C14 and 4 Appliance Outlets F	4747

Distribution Unit further types to 4732

Power Cord Overview complete



Power Cord with IEC Connector C13, Angled	0311
Power Cord with IEC Connector C13, Angled	3011
Power Cord with IEC Connector C13, Angled	3012
Power Cord with IEC Connector C13, Angled	3013
Power Cord with IEC Connector C13	3020

Power Cord further types to 4732

Category / Description

Power Entry Module [Overview complete](#)

IEC Appliance Outlet F with Fuseholder 1-pole	4719
IEC Appliance Inlet C14 with modular extended Components	Felcom 64
IEC Appliance Inlet C14 with Appliance Outlet F	KP (Outlet)
IEC Appliance Inlet C14 with Appliance Outlet F, Line Switch 2-pole and Voltage Selector	PMM

[Power Entry Module further types to 4732](#)

Power Entry Module with line filter [Overview complete](#)

IEC Appliance Inlet C14 Modular Assembling Options	Felcom 54
--	-----------

[Power Entry Module with line filter further types to 4732](#)

Power Supply or Interconnection Cord [Overview complete](#)

Divers Power Supply and Interconnection Cords 10 A	Kabelverbindung/10 A
--	----------------------

[Power Supply or Interconnection Cord further types to 4732](#)