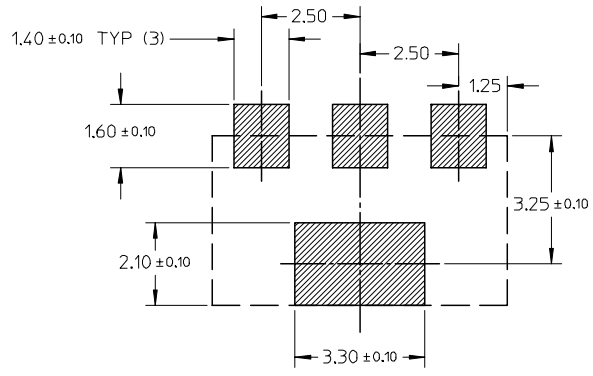
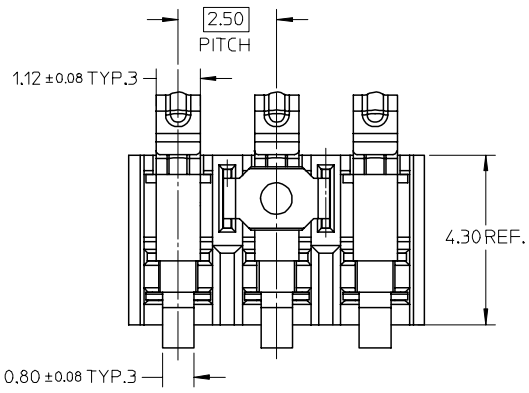
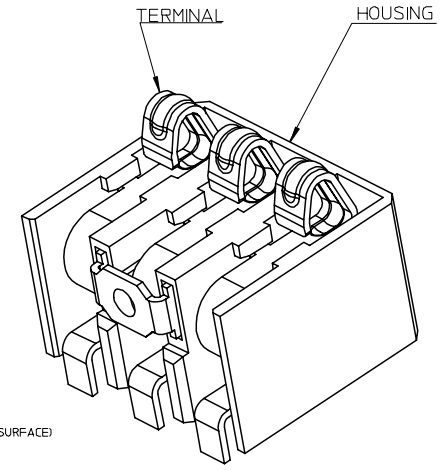
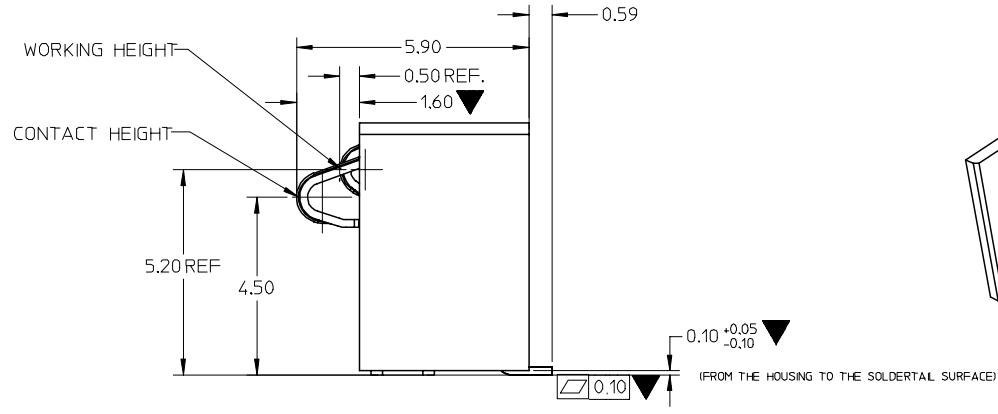
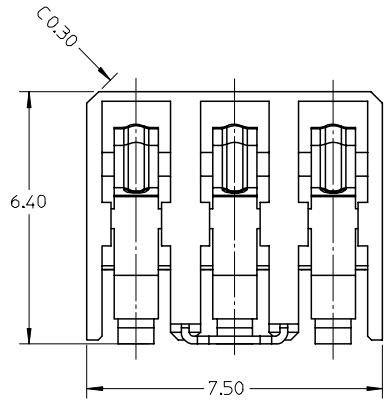


10 9 8 7 6 5 4 3 2 1

F
E
D
C
B
A

F
E
D
C
B
A



RECOMMENDED PCB LAYOUT
TOLERANCE +/-0.05

- NOTES:
- MATERIALS
 TERMINAL: COPPER ALLOY
 FITTING NAIL: STAINLESS STEEL
 HOUSING: HIGH TEMPERATURE THERMOPLASTIC, UL94 V-0
 - FINISHS
 TERMINAL: GOLD PLATING 0.75 MICROMETERS MIN. ON CONTACT AREA
 GOLD FLASH 0.05 MICROMETERS MIN. PLATING ON SOLDER TAIL
 1.25 MICROMETERS MIN. NICKEL UNDERPLATING OVERALL
 FITTING NAIL: 1.25 MICROMETERS MIN. TIN PLATING AND
 1.25 MICROMETERS MIN. NICKEL UNDERPLATING OVERALL

9 8 7 6 5 4 3 2 1

NEW RELEASE	EC NO:	2006/06/20	QUALITY SYMBOLS ▽=3 ▽C=0	GENERAL TOLERANCES (UNLESS SPECIFIED)		DIMENSION STYLE MM ONLY		SCALE 10:1	DESIGN UNITS METRIC	THIRD ANGLE PROJECTION	
	DRWN:	LHSHEN		mm	INCH	DRAWN BY LHSHEN	DATE 2005/07/25	TITLE 3 PIN BATTERY CONNECTOR SALES DRAWING			
	CHKD:	XIXU		4 PLACES	± ---	± ---	CHECKED BY				
	APPR:	JNCHEN		3 PLACES	± ---	± ---	APPROVED BY	DATE			
A	REV	DESCRIPTION	1 PLACE	± 0.2	± ---	ANGULAR ± 3 °		MATERIAL NO. 472750001		DOCUMENT NO. SD-47275-001	SHEET NO. 1 OF 1
DRAFT WHERE APPLICABLE MUST REMAIN WITHIN DIMENSIONS			MOLEX INCORPORATED THIS DRAWING CONTAINS INFORMATION THAT IS PROPRIETARY TO MOLEX INCORPORATED AND SHOULD NOT BE USED WITHOUT WRITTEN PERMISSION								