

**General Specifications**

Motor Protection: Auto Restart  
 Insulation Resistance: 10M Ohm or over with a DC500V Megger  
 Dielectric Withstand Voltage: AC 700V 1st  
 Allowable Ambient Temperature Range:  
 -10 degree C ~ +70 degree C (Operating)  
 -40 degree C ~ +70 degree C (Storage)  
 (non-condensing environment)

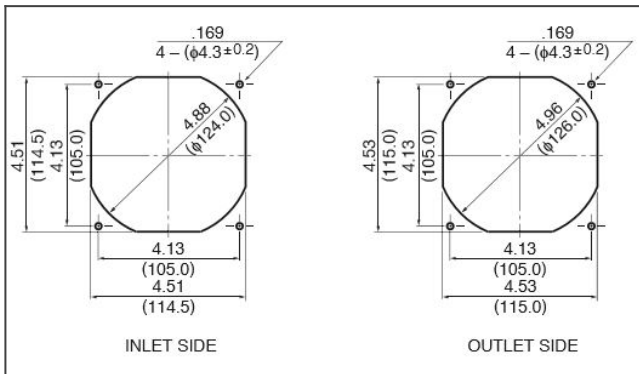
**Material**

Casing: Plastic (Black) UL94V-0  
 Impeller: Plastic (Black) UL94V-0  
 Lead Wire: UL10368, AWG26, +Red, -Black

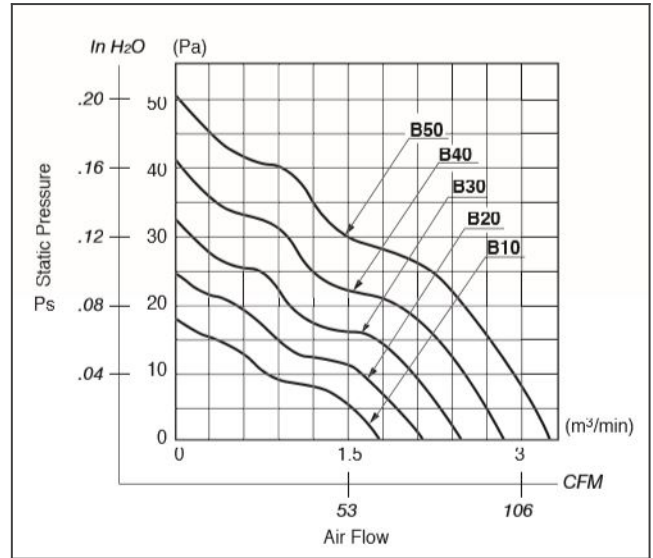
**order part 4710KL-05W-B49-E00 Ball Bearing Fan DC Fans**



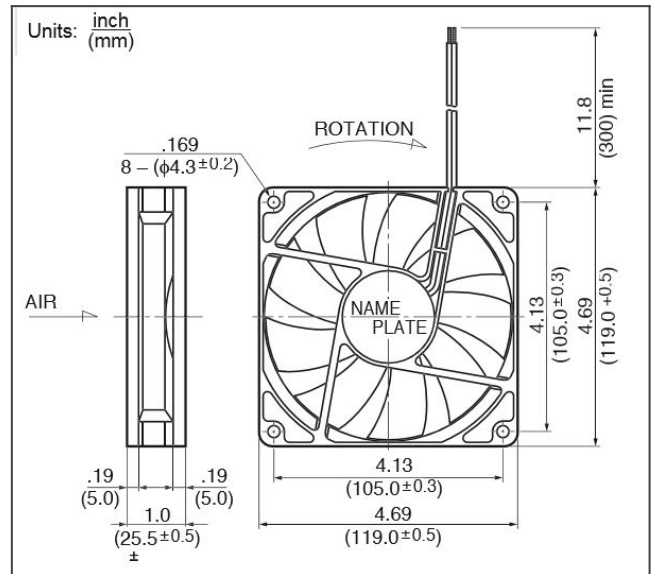
**4710KL panel cut out**



**4710KL characteristic curve**



**4710KL product drawing**



DC Fans

## Detailed Specifications

<b>Expected Life:</b>	40 degree C 50,000 Hours (L10)
<b>DC Fan:</b>	Ball Bearing Fan
<b>Nominal Voltage:</b>	24[V]
<b>Operating Voltage Lower:</b>	10[V]
<b>Operating Voltage Upper:</b>	27.6[V]
<b>Current:</b>	0.22[A]
<b>Input Power:</b>	5.28[W]
<b>Speed:</b>	2500[ $\text{min}^{-1}$ ]
<b>Max. Air Flow:</b>	2.85[m <sup>3</sup> /min]
<b>Max. Air Flow:</b>	100.6[CFM]
<b>Max. Static Pressure:</b>	41.9[Pa]
<b>Max. Static Pressure:</b>	0.16[In H <sub>2</sub> O]
<b>Noise:</b>	38.5[dB]
<b>Mass:</b>	180[g]
<b>Fan Size:</b>	119[mm]
<b>Fan Width:</b>	25[mm]

DC Fans