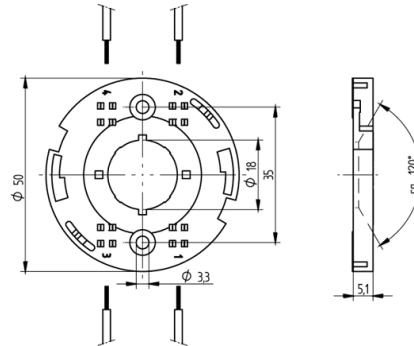
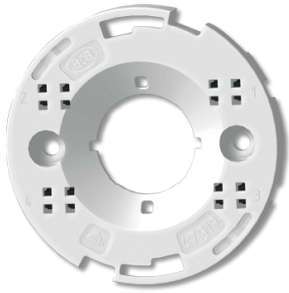




Technology for Light

COB connector Ø 50 mm for LED array 20 x 24 mm 47.319.2051.50



T 130



0,25 - 0,5 mm²



0,5 mm²



COB connector Ø 50 mm for LED array 20 x 24 mm 47.319.2051.50

Technology for Light

DESCRIPTION

With integrated reflector interface
Screw mounting: for screws M3 and locking washer
Max. torque for screw fixing 0.5 Nm*
Strip length: 7-1 mm
Polarity of LED must be observed
Specifications of LED manufacturer must be observed
cURus: For limited applications
VDE-Reg. No. E289
*Please note the max torque of the COB manufacturer

Mounting method 1:	Screw mount
Weight:	5
Approval:	cURus
Material:	Housing: PBT Contacts: CuSn
cULus file no.:	E-345385
Mounting method 2:	P2F fixing with 28.902.-102
Pkg.:	504
Rating:	3A / 150 VDC
LED manufacturer:	Luminus, Sharp
LED Typ:	Tiger Zenigata, CTM-14 / CTM-18
Prefixation of COB:	No
Conductor cross-section:	0.5 mm
Product name:	COB connector Ø 50 mm for LED array 20 x 24 mm

Suitable for the following LED models:

LED Manufacturer	LED Type	More Information
Sharp	Tiger Zenigata	http://www.sharpleds.com
Luminus	CTM-14 / CTM-18	http://www.luminus.com