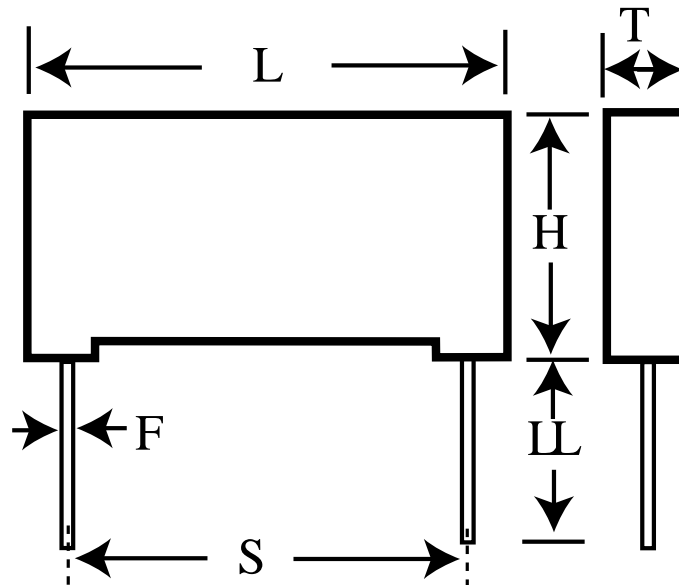


R46KI315000P0K

aka 46KI315000P0K

Capacitor, film, 0.15 uF, +/-10% Tol, -40/+110C, Safety: X2, 275VAC,
Lead Spacing=15 mm



Dimensions (mm)

Specifications

| ID | Dimension | Tolerance | Manufacturer: | KEMET |
|----|-----------|-----------|-----------------------------|-------------|
| L | 18 | +0.3 | Brand: | Arcotronics |
| H | 11 | +0.1 | Capacitance: | 0.15 uF |
| T | 5 | +0.2 | Temperature Range: | -40/+110C |
| S | 15 | | Rated Temperature: | 105C |
| LL | 4 | +2 | Voltage @ rated temp: | 560V |
| F | 0.6 | +/-0.05 | Voltage AC: | 275VAC |
| | | | Tolerance: | +/-10% |
| | | | Body Type: | Radial Box |
| | | | Construction: | Wound |
| | | | Application: | Safety: X2 |
| | | | Dissipation Factor @ 1 kHz: | 0.1% |
| | | | Insulation Resistance: | 100 GOhm |
| | | | Maximum dVdT: | 400v/us |
| | | | UL_1414: | 250V |
| | | | UL_1283: | 310V |
| | | | IEC_60384-14: | 275V |
| | | | CSA_384-14: | 275V |
| | | | CQC_GB/T 14472: | 275V |
| | | | Package Kind: | Bulk |
| | | | Package Type: | Bag |
| | | | Package Quantity: | 2000 |