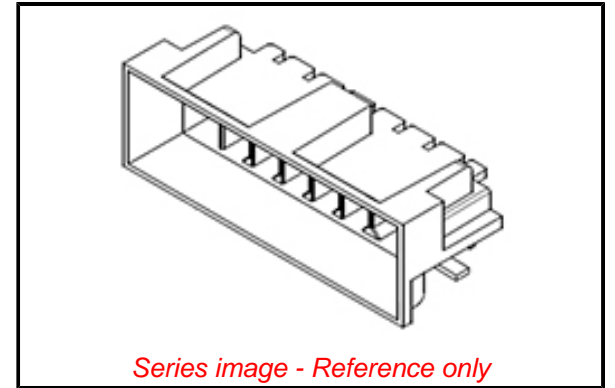


PLEASE CHECK WWW.MOLEX.COM FOR LATEST PART INFORMATION

Part Number: [0466220501](#)
Status: **Active**
Overview: Micro-Fit Connector System
Description: Micro-Fit BMI Header, Surface Mount, Single Row, Right-Angle, with Solder Tab, 0.38µm Gold (Au) Selective Plating, 5 Circuits

Documents:

3D Model	Packaging Specification PK-46622-001 (PDF)
3D Model (PDF)	Symbol Footprint Data SYM-46622-0500 (PDF)
Drawing (PDF)	RoHS Certificate of Compliance (PDF)
Product Specification PS-44300-001-001 (PDF)	Product Literature (PDF)



Agency Certification

CSA LR19980

General

Product Family	PCB Headers
Series	46622
Application	Power, Wire-to-Board
Overview	Micro-Fit Connector System
Product Name	Micro-Fit BMI
UPC	191128233071

Physical

Breakaway	No
Circuits (Loaded)	5
Circuits (maximum)	5
Color - Resin	Black
Durability (mating cycles max)	30
First Mate / Last Break	No
Flammability	94V-0
Glow-Wire Capable	No
Guide to Mating Part	No
Keying to Mating Part	None
Lock to Mating Part	Yes
Material - Metal	Brass
Material - Plating Mating	Gold
Material - Plating Termination	Tin
Material - Resin	Liquid Crystal Polymer
Net Weight	1.456/g
Number of Rows	1
Orientation	Right Angle
PCB Locator	Yes
PCB Retention	Yes
Packaging Type	Embossed Tape on Reel
Pitch - Mating Interface	3.00mm
Plating min - Mating	0.381µm
Plating min - Termination	2.540µm
Polarized to Mating Part	Yes
Polarized to PCB	Yes
Shrouded	Fully
Stackable	No
Temperature Range - Operating	-40° to +105°C
Termination Interface: Style	Surface Mount

Electrical

Current - Maximum per Contact 8.5A

EU ELV

Not Relevant

EU RoHS

Compliant

REACH SVHC

Contained Per -
D(2020)4578-DC (25
June 2020)
decamethylcyclopentasiloxane
benzene-1,2,4-
tricarboxylic acid 1,2-
anhydride
decamethylcyclopentasiloxane
dodecamethylcyclohexasiloxane
benzene-1,2,4-
tricarboxylic acid 1,2-
anhydride
octamethylcyclotetrasiloxane
disodium 3,3'-[[1,1'-
biphenyl]-4,4'-
diylbis(azo)
dodecamethylcyclohexasiloxane
heptacosafuorotetradecanoic
acid
tricosafuorododecanoic
acid
di-n-pentyl phthalate
(DPP)
6-methoxy-m-toluidine
diisopentylphthalate
methoxyacetic acid
dibutyltin dichloride
4,4'-methylenedi-o-
toluidine
1-vinylimidazole
1,3-propanesultone
chromium trioxide
disodium 4-
amino-3-[[4'-[(2,4-
diaminophenyl)azo]
henicosafuoroundecanoic
acid

China RoHS

Voltage - Maximum	600V
Solder Process Data	
Duration at Max. Process Temperature (seconds)	030
Lead-free Process Capability	REFLOW
Max. Cycles at Max. Process Temperature	003
Process Temperature max. C	260
Material Info	
Reference - Drawing Numbers	
Packaging Specification	PK-46622-001
Product Specification	PS-44300-001-001
Sales Drawing	SD-46622-0000
Symbol/Footprint Data	SYM-46622-0500

Silicic acid (H₂Si₂O₅),
 barium salt (1:1),
 lead-
 [phthalato(2-)]dioxotrilead
 Fatty acids, C16-18,
 lead salts
 4-aminoazobenzene
 diethyl sulphate
 dimethyl sulphate
 N-methylacetamide
 dicyclohexyl phthalate
 dihexyl phthalate
 (DnHP)
 dinoseb (ISO)
 butyl 4-
 hydroxybenzoate
 o-toluidine
 4-methyl-m-
 phenylenediamine
 ethylene thiourea
 4-o-tolylazo-o-
 toluidine
 nitrobenzene
 1-bromopropane
 furan
 Zirconia
 Aluminosilicate
 Refractory Ceramic
 Fibr
 Trixylyl phosphate
 4-(1,1,3,3-
 tetramethylbutyl)phenol,
 ethoxylated
 2,3,3,3-tetrafluoro-2-
 (heptafluoropropoxy)propio
 Tris(4-nonylphenyl,
 branched and linear)
 phosphi
 Pyrene
 Cadmium nitrate
 Chrysene
 Dodecachloropentacyclo[12.2.1.16,9.02,13.05,10]o
 Reaction
 products of 1,3,4-
 thiadiazolidine-2,5-d
 Perfluorononan-1-
 oic acid
 (2,2,3,3,4,4,5,5,6,6,7
 4-(1,1,3,3-
 tetramethylbutyl)phenol,
 ethoxylated
 hexahydro-2-
 benzofuran-1,3-dione
 Sodium perborate;
 perboric acid, sodium
 salt
 Cadmium sulphate
 1,2-
 benzenedicarboxylic
 acid, di-C6-10-alkyl
 est
 5-sec-butyl-2-(2,4-
 dimethylcyclohex-3-
 en-1-yl)-5

Perfluorohexane-1-sulphonic acid and its salts
ammoniumpentadecafluorooctanoate
sodium
peroxometaborate
disodium octaborate
2-ethylhexyl 10-ethyl-4,4-dioctyl-7-oxo-8-oxa-3,
dibutylbis(pentane-2,4-dionato-O,O')tin
2-(2H-benzotriazol-2-yl)-4,6-ditertpentylphenol
2-(2H-benzotriazol-2-yl)-4-(tert-butyl)-6-(sec-b
Terphenyl,
hydrogenated
1,2-Benzenedicarboxylic acid, dihexyl ester,
bra
pentacosafuorotridecanoic acid
1,2-benzenedicarboxylic acid, dipentylester,
bra
3-ethyl-2-methyl-2-(3-methylbutyl)-1,3-oxazolidi
n-pentyl-
isopentylphthalate
1,3-BENZENEDIOL, TRINITRO-, LEAD SALT
Hydrazine
Disodium tetraborate
Boric acid
Aluminosilicate
Refractory Ceramic Fibres
tetraboron disodium heptaoxide, hydrate
cobalt carbonate
cobalt di(acetate)
cobalt sulphate
2-ethoxyethyl acetate
1,2-benzenedicarboxylic acid; di-C7-11-branched
N-methyl-2-pyrrolidone
1,2-benzenedicarboxylic acid; di-C6-8-branched a
calcium arsenate
bis(2-methoxyethyl) ether
potassium
hydroxyoctaoxodizincatedichromate(1-)

lead dipicrate
N,N-
dimethylacetamide
arsenic acid
2-methoxyaniline
trilead diarsenate
1,2-dichloroethane
pentazinc chromate
octahydroxide
triethyl arsenate
4,4'-
diaminodiphenylmethane
dibutyl phthalate
(DBP)
bis(2-ethylhexyl)
phthalate (DEHP)
lead hydrogen
arsenate
Butylbenzylphthalate
(BBP)
Anthracene oil,
anthracene paste;
Anthracene Oil
Anthracene oil,
anthracene paste,
anthracene fra
Anthracene oil,
anthracene paste,
distn. lights;
Anthracene oil,
anthracene-low;
Anthracene Oil F
lead chromate
Lead chromate
molybdate sulfate red
Lead sulfochromate
yellow
tris(2-chloroethyl)
phosphate
ammonium
dichromate
potassium chromate
potassium dichromate
sodium chromate
[4-[[4-anilino-1-
naphthyl]]4-
(dimethylamino)phen
 α,α #Bis[4-
(dimethylamino)phenyl]-4
(phenylamino)
lead
cadmium
cadmium fluoride
pyrochlore, antimony
lead yellow
lead dinitrate
cadmium chloride
Silicic acid, lead salt
lead oxide sulfate
pentalead tetraoxide
sulphate
trilead dioxide
phosphonate
tetralead trioxide
sulphate

dioxobis(stearato)trilead
Lead titanium
zirconium oxide
cadmium hydroxide
Acetic acid, lead salt,
basic
Sulfurous acid, lead
salt, dibasic
Formaldehyde,
polymer with
benzenamine
bis(2-methoxyethyl)
phthalate
lead diazide
phenolphthalein
dichromium
tris(chromate)
4,4'-
bis(dimethylamino)benzophenone
1,2-dimethoxyethane
cadmium carbonate
[4-[4,4'-
bis(dimethylamino)
benzhydrylidene]cycl
4,4'-
bis(dimethylamino)-4''-
(methylamino)trityl
bis(pentabromophenyl)
ether
diboron trioxide
cadmium oxide (non-
pyrophoric)
cadmium sulphide
orange lead
trilead bis(carbonate)
dihydroxide
Lead oxide
1,3,5-
tris(oxiranylmethyl)-1,3,5-
triazine-2,4,6(

Halogen-Free

Status

Low-Halogen

For more information, please visit [Contact US](#)

China ROHS	Green Image
ELV	Not Relevant
RoHS Phthalates	Not Contained

Search Parts in this Series

[46622](#) Series

Mates With

[46623](#) Micro-Fit BMI Panel Mount
Receptacle Housing

This document was generated on 10/14/2020

PLEASE CHECK WWW.MOLEX.COM FOR LATEST PART INFORMATION