

465629-1 ✓ ACTIVE

CGS TL

TE Internal #: 465629-1

TE Internal Description: UNIV INSERTION TL (W/O TIPS)

[View on TE.com >](#)



Product Compliance

[For compliance documentation, visit the product page on TE.com>](#)

EU RoHS Directive 2011/65/EU	Compliant
EU ELV Directive 2000/53/EC	Out of Scope
China RoHS 2 Directive MIIT Order No 32, 2016	No Restricted Materials Above Threshold
EU REACH Regulation (EC) No. 1907/2006	Current ECHA Candidate List: JAN 2024 (240) Candidate List Declared Against: JAN 2024 (240) Does not contain REACH SVHC
Halogen Content	Low Halogen - Br, Cl, F, I < 900 ppm per homogenous material. Also BFR/CFR/PVC Free
Solder Process Capability	Not reviewed for solder process capability

Product Compliance Disclaimer

This information is provided based on reasonable inquiry of our suppliers and represents our current actual knowledge based on the information they provided. This information is subject to change. The part numbers that TE has identified as EU RoHS compliant have a maximum concentration of 0.1% by weight in homogenous materials for lead, hexavalent chromium, mercury, PBB, PBDE, DBP, BBP, DEHP, DIBP, and 0.01% for cadmium, or qualify for an exemption to these limits as defined in the Annexes of Directive 2011/65/EU (RoHS2). Finished electrical and electronic equipment products will be CE marked as required by Directive 2011/65/EU. Components may not be CE marked. Additionally, the part numbers that TE has identified as EU ELV compliant have a maximum concentration of 0.1% by weight in homogenous materials for lead, hexavalent chromium, and mercury, and 0.01% for cadmium, or qualify for an exemption to these limits as defined in the Annexes of Directive 2000/53/EC (ELV). Regarding the REACH Regulation, the information TE provides on SVHC in articles for this part number is based on the latest European Chemicals Agency (ECHA) 'Guidance on requirements for substances in articles' posted at this URL: <https://echa.europa.eu/guidance-documents/guidance-on-reach>

Also in the Series | [CGS TL](#)

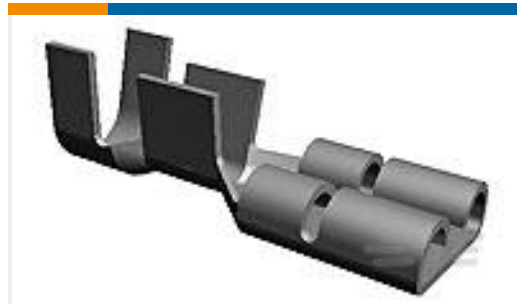


Hand Crimping Tools(4)

Customers Also Bought



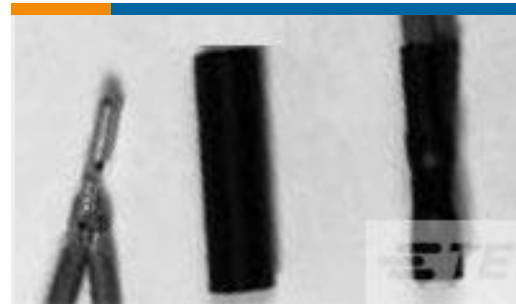
TE Part #61810-2
FASTON .250 (6.3 MM) RECEPTACLE
TPBR



TE Part #63475-1
187 FASTON REC 20-16 AWG BR



TE Part #41449
250 FASTON REC 14-10 AWG BR



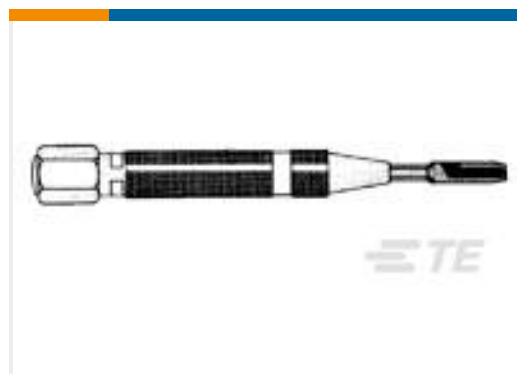
TE Part #520197P044
RT-3-NO.2-0-1.125IN



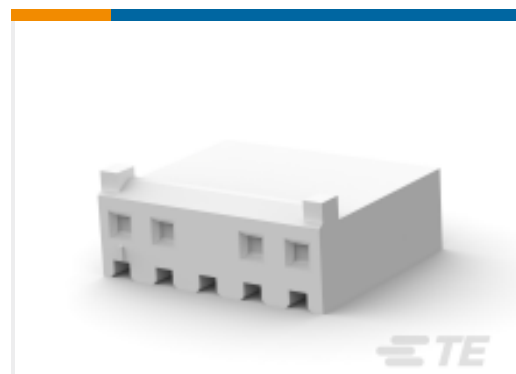
TE Part #465468-1
INSERTION TOOL TIP



TE Part #1878645-7
MOC205GR



TE Part #465665-1
TIP



TE Part #647344-3
03P SL156 HSG W/RP TB BLK #3



TE Part #1878646-7
MOC205YL

Documents

Instruction Sheets

[Instruction Sheet \(U.S.\)](#)

English