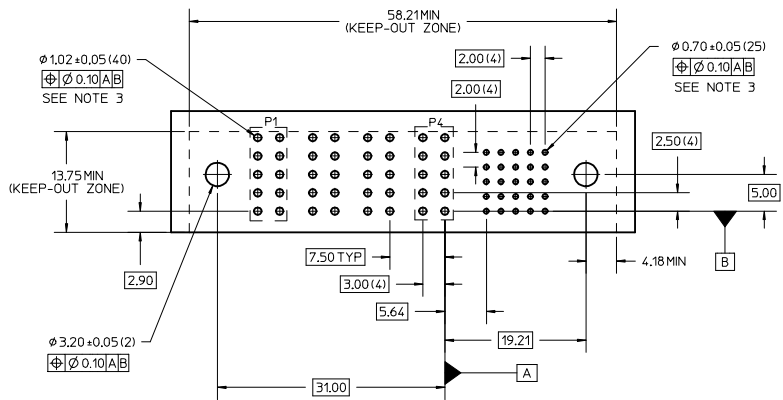


MATED PROFILE

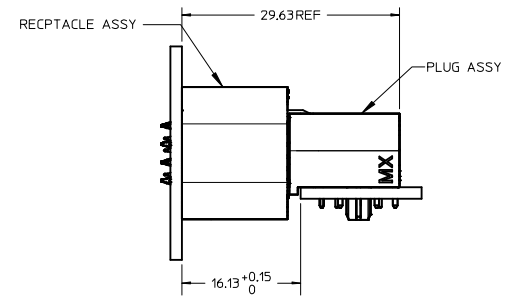
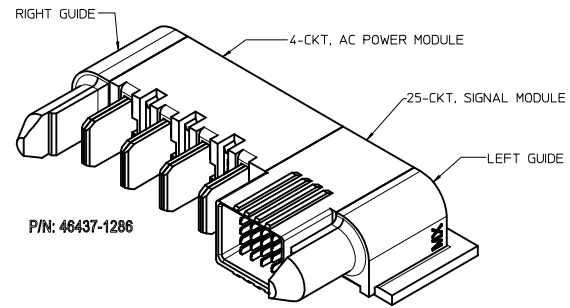
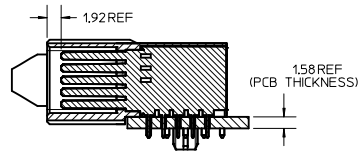
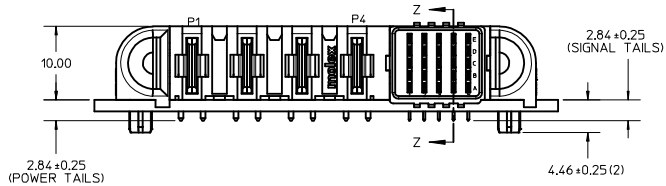
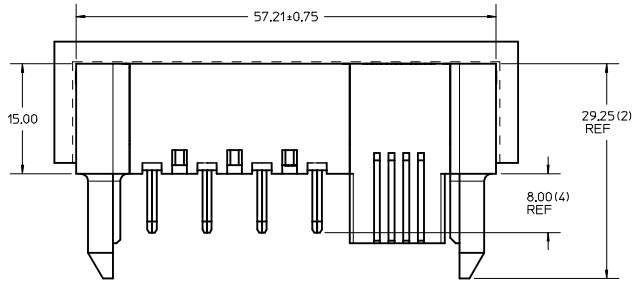


RECOMMENDED PCB LAYOUT AND KEEP-OUT ZONE

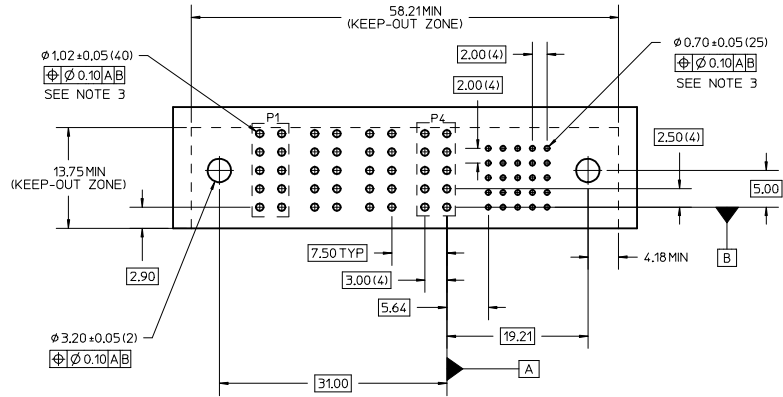
NOTES:

- MATERIAL:
 - HOUSINGS: LCP UL94 V-0, COLOR: BLACK.
 - TERMINALS: COPPER ALLOY.
 - PLATING: 0.000127 NICKEL OVERALL WITH 0.00254 SELECTIVE MATTE TIN ON TAILS. AND 0.000762 SELECTIVE GOLD ON CONTACT AREA.
- PACKAGING ASSEMBLIES TO BE TRAY PACKED, STD. QUANTITY: TBD.
- PC BOARD REQUIRES SOLDER THRU HOLES, REFER TO PS-46436-100 FOR DETAILS.
- PRODUCT SPEC: PS-46436-100.
- APPLICATION SPEC: AS-46436-100.
- SEE PRODUCT SPEC. FOR RoHS REQUIREMENTS.
- ASSEMBLY MATES WITH MOLEX RECEPTACLE ASSEMBLY, P/N 46562-1286 OR 46436-1286.

PRIMARY RELEASE IEC NO: LCP2012-0714 DRAWN: TMPATIL 2011/09/02 CHECKED: CHYOKLEE 2011/09/08 APPR: RNELSON 2011/10/03	QUALITY SYMBOLS	GENERAL TOLERANCES (UNLESS SPECIFIED)	DIMENSION STYLE	SCALE	DESIGN UNITS	THIRD ANGLE PROJECTION	
	$\nabla=0$ $\nabla=0$ $\nabla=0$	mm INCH 4 PLACES ± --- ± --- 3 PLACES ± --- ± --- 2 PLACES ± 0.25 ± --- 1 PLACE ± 0.25 ± --- ANGULAR ±1/2°	MM ONLY	3:1	METRIC		
	DRAFT WHERE APPLICABLE MUST REMAIN WITHIN DIMENSIONS	DRAWN BY DATE TMPATIL 2011/09/02 CHECKED BY DATE KLEE 2011/09/08 APPROVED BY DATE RNELSON 2011/10/03	MATERIAL NO. 46437-1286	TITLE RA PLUG ASSY 4AC-25S TEN60 POWER FAMILY	MOLEX INCORPORATED	DOCUMENT NO. SD-46437-1286	SHEET NO. 1 OF 1
	SIZE D	THIS DRAWING CONTAINS INFORMATION THAT IS PROPRIETARY TO MOLEX INCORPORATED AND SHOULD NOT BE USED WITHOUT WRITTEN PERMISSION					



MATED PROFILE

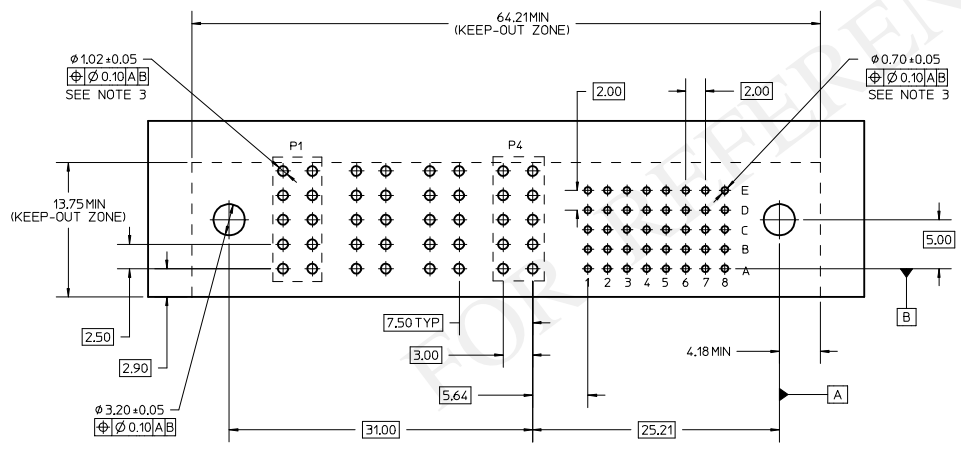
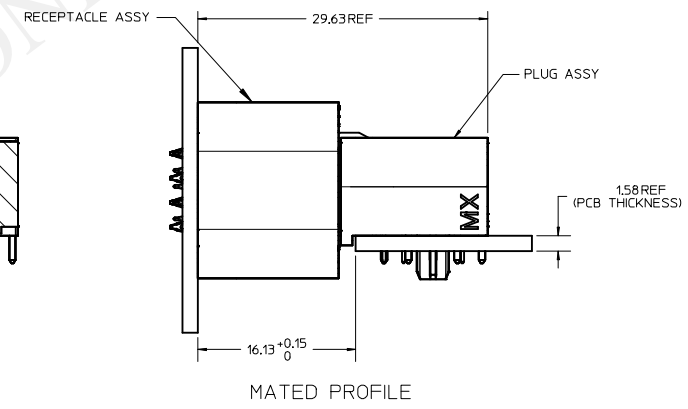
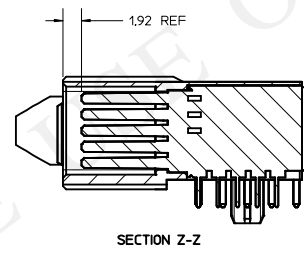
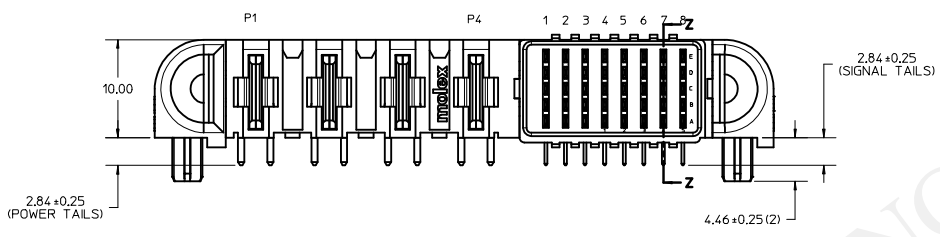
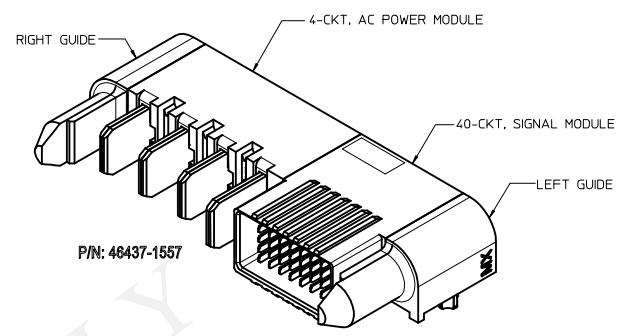
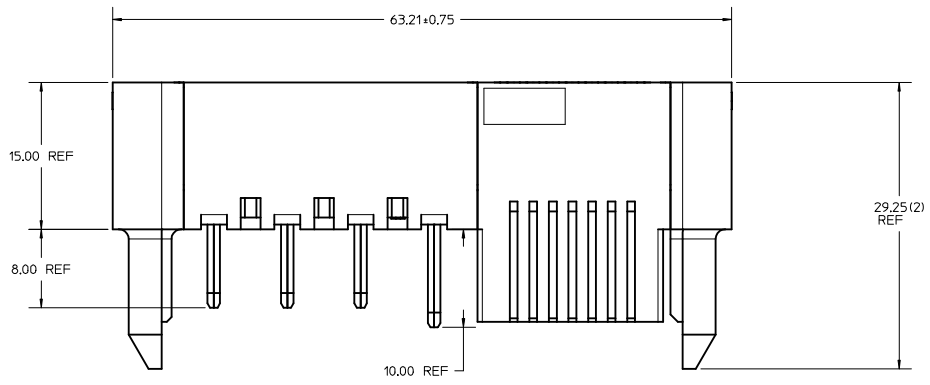


RECOMMENDED PCB LAYOUT AND KEEP-OUT ZONE

NOTES:

- MATERIAL:
 - HOUSINGS: LCP UL94 V-0, COLOR: BLACK.
 - TERMINALS: COPPER ALLOY.
 - PLATING: 0.000127 NICKEL OVERALL WITH 0.00254 SELECTIVE MATTE TIN ON TAILS. AND 0.000762 SELECTIVE GOLD ON CONTACT AREA.
- PACKAGING ASSEMBLIES TO BE TRAY PACKED, STD. QUANTITY: TBD.
- PC BOARD REQUIRES SOLDER THRU HOLES, REFER TO PS-46436-100 FOR DETAILS.
- PRODUCT SPEC: PS-46436-100.
- APPLICATION SPEC: AS-46436-100.
- SEE PRODUCT SPEC. FOR RoHS REQUIREMENTS.
- ASSEMBLY MATES WITH MOLEX RECEPTACLE ASSEMBLY, P/N 46562-1286 OR 46436-1286.

PRIMARY RELEASE IEC NO: LCP2012-0714 DRAWN: TMPATIL 2011/09/02 CHECKED: CHYOKLEE 2011/09/08 APPR: RNELSON 2011/10/03	QUALITY SYMBOLS	GENERAL TOLERANCES (UNLESS SPECIFIED)	DIMENSION STYLE	SCALE	DESIGN UNITS	THIRD ANGLE PROJECTION	
	$\nabla=0$ $\nabla=0$ $\nabla=0$	mm INCH 4 PLACES ± --- ± --- 3 PLACES ± --- ± --- 2 PLACES ± 0.25 ± --- 1 PLACE ± 0.25 ± --- ANGULAR ±1/2°	MM ONLY DRAWN BY DATE TMPATIL 2011/09/02 CHECKED BY DATE KLEE 2011/09/08 APPROVED BY DATE RNELSON 2011/10/03	3:1	METRIC		
	DRAFT WHERE APPLICABLE MUST REMAIN WITHIN DIMENSIONS	MATERIAL NO. 46437-1286	DOCUMENT NO. SD-46437-1286	RA PLUG ASSY 4AC-25S TEN60 POWER FAMILY		MOLEX INCORPORATED	SHEET NO. 1 OF 1
	SIZE D	THIS DRAWING CONTAINS INFORMATION THAT IS PROPRIETARY TO MOLEX INCORPORATED AND SHOULD NOT BE USED WITHOUT WRITTEN PERMISSION					



- NOTES:
- MATERIAL:
 - HOUSINGS: LCP UL94, V-0, COLOR : BLACK
 - TERMINALS: HIGH CONDUCTIVITY COPPER ALLOY
 - PLATING: 127 MICROMETER (50 MICROINCH) NICKEL OVERALL WITH 2.54 MICROMETER (100 MICROINCH) SELECTIVE TIN ON TAILS AND 0.762 MICROMETER (30 MICROINCH) SELECTIVE GOLD ON CONTACT AREA
 - PACKAGING: ASSEMBLIES TO BE TRAY PACKED PER PACKAGING SPEC: TBD
 - PLATED THRU HOLE SIZE, REFER TO PS-46436-100 FOR DETAILS
 - PRODUCT SPEC: PS-46436-100
 - PRODUCT TO MEET RoHS REQUIREMENTS
 - ASSEMBLY MATES TO MOLEX RECEPTACLE ASSEMBLY P/N 46562-1557
 - TAIL DESIGN: SOLDER TAIL
 - SIGNAL CONTACTS ARE LUBRICATED.

RECOMMENDED PCB LAYOUT AND KEEP-OUT ZONE

PRIMARY RELEASE IEC NO: LCP2013-4892 DRAWNSKANG 2013/05/17 CHKD: APPR:SKANG	QUALITY SYMBOLS	GENERAL TOLERANCES (UNLESS SPECIFIED)	DIMENSION STYLE	SCALE	DESIGN UNITS	THIRD ANGLE PROJECTION
	▽=0	mm INCH	MM ONLY	3:1	METRIC	⊕
	▽=0	4 PLACES ± --- ± ---	DRAWN BY DATE	SKANG 2013/04/25	TITLE	RA PLUG ASSY
	▽=0	3 PLACES ± --- ± ---	CHECKED BY DATE	SKANG 2013/05/07	MOLEX INCORPORATED	G-4AC-40S-G
		2 PLACES ± 0.25 ± ---	APPROVED BY DATE			
		1 PLACE ± 0.25 ± ---	SKANG 2013/05/07			
		ANGULAR ±1/2°	MATERIAL NO.	DOCUMENT NO.		
		DRAFT WHERE APPLICABLE MUST REMAIN WITHIN DIMENSIONS	46437-1557	SD-46437-1557		
			SIZE D			