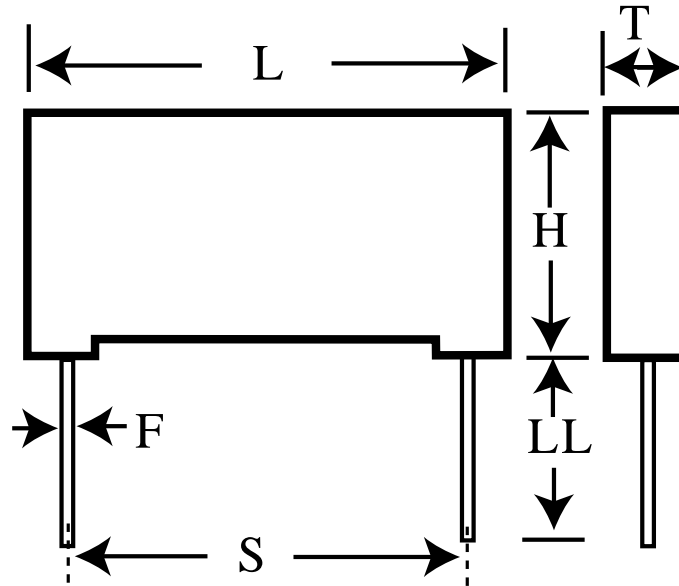


# R463W433050M1K

aka 463W433050M1K

Capacitor, film, 3.3 uF, +/-10% Tol, -40/+110C, Safety: X2, 300VAC,  
Lead Spacing=37.5 mm



## Dimensions (mm)

## Specifications

ID	Dimension	Tolerance
L	41.5	+0.3
H	28.5	+0.1
T	16	+0.3
S	37.5	+/-0.4
LL	25	+2/-1
F	1	+/-0.05

<b>Manufacturer:</b>	KEMET
<b>Brand:</b>	Arcotronics
<b>Capacitance:</b>	3.3 uF
<b>Temperature Range:</b>	-40/+110C
<b>Rated Temperature:</b>	105C
<b>Voltage @ rated temp:</b>	630V
<b>Voltage AC:</b>	300VAC
<b>Tolerance:</b>	+/-10%
<b>Body Type:</b>	Radial Box
<b>Construction:</b>	Wound
<b>Application:</b>	Safety: X2
<b>Dissipation Factor @ 1 kHz:</b>	0.1%
<b>Insulation Resistance:</b>	9.09 GOhm
<b>Maximum dVdT:</b>	100v/us
<b>UL_1283:</b>	310V
<b>IEC_60384-14:</b>	275V
<b>CSA_384-14:</b>	275V
<b>CQC_GB/T 14472:</b>	275V
<b>Package Kind:</b>	Bulk
<b>Package Type:</b>	Bag
<b>Package Quantity:</b>	108