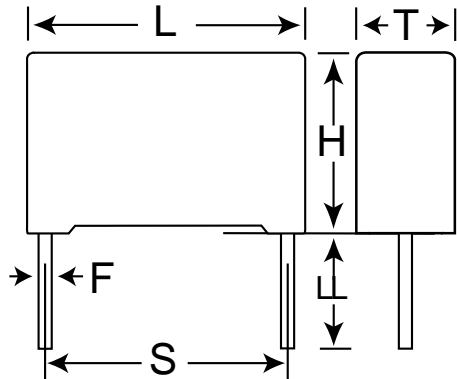


KEMET Part Number: R463F2470CKM1M
(463F2470CKM1M)

Capacitor, film, 0.047 uF, +/-20% Tol, -40/+110C, Safety: X2, 300VAC, Lead Spacing=10 mm



Dimensions (mm)		
Symbol	Dimension	Tolerance
L	13	+0.2
H	12	+0.1
T	6	+0.2
S	10	+/-0.4
LL	18.5	+/-0.5
F	0.6	+/-0.05

Packaging Specifications	
Package Kind:	T&R
Package Size:	500mm
Package Quantity:	1000

General Information	
Manufacturer:	KEMET
Brand:	Arcotronics
Miscellaneous Electrical:	Note: Not for New Design 06.18.2012

Electrical Specifications	
Capacitance:	0.047 uF
Rated Temperature:	105C
Voltage @ rated temp:	630V
Voltage AC:	300VAC
Tolerance:	+/-20%
Body Type:	Radial Box
Construction:	Wound
Application:	Safety: X2
Temperature Range:	-40/+110C
Dissipation Factor @ 1 kHz:	0.1%
Insulation Resistance:	100 GOhm
Maximum dVdT:	500v/us

Agency Approvals	
UL_1414:	250V
UL_1283:	310V
IEC_60384-14:	275V
CSA_384-14:	275V
CQC_GB/T 14472:	275V