

Primary Power Receptacles

UL and CSA Approved, International Standard CCE-22

Shell: Black glass reinforced thermoplastic polyester. UL flammability rating 94 V-0, yellow card #E45575. **Pins:** Silver-plated brass. **Terminals:** Electroplated brass except EAC-333, silver-plated brass.

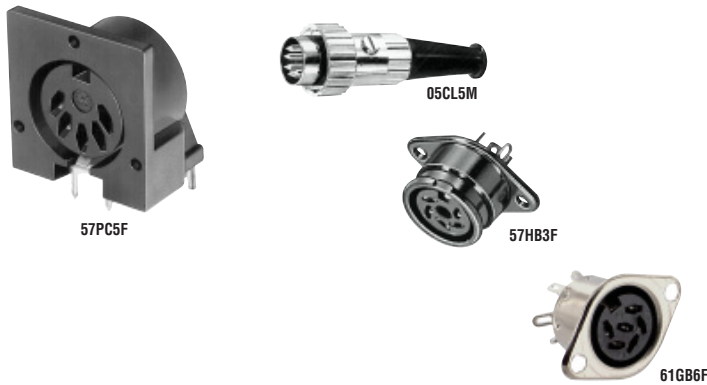
EAC-333. 3-pin male receptacle with right angle housing for PC board mount. Rear of panel mounting. PC terminals project 0.125" to extend through PC board. Ground pin is integral with the ground solder lug on rear of receptacle. Two additional 0.136" holes for fastening to panel or chassis. **EAC-309.** 3-pin male receptacle with standard lug terminals. Mounts from front or rear of panel with two #5 screws or 0.125" rivets (not supplied). **EAC-311.** 3-pin male receptacle with FASTON terminals. Mounts from front or rear of panel with two #5 screws or 0.125" diameter rivets (not supplied). **EAC-305.** 3-contact female receptacle front mount with two #4 screws or 0.094" rivets (not supplied). **EAC-405.** 3-contact female receptacle with standard solder lug terminals. Snap-in panel mounting. **EAC-409.** 3-pin male receptacle with standard solder lug terminals. Snap-in panel mounting. **EAC-411.** 3-pin male receptacle with FASTON terminals. Snap-in panel mounting.

Stock No.	Mfr.'s Type	Rating	Mating Power Cord	EACH	
				1-49	50-99
932-0093	EAC-333	10 A, 250 VAC	523, 535, 545, 537	2.66	2.34
932-0099	EAC-309	10 A, 250 VAC	523, 535, 545, 537	1.97	1.73
932-0101	EAC-311	10 A, 250 VAC	545, 537	1.81	1.59
932-0097	EAC-305	10 A, 250 VAC	551, 552	2.10	1.87
932-0108	EAC-405040*	10 A, 250 VAC	551, 552	2.87	2.54
932-0110	EAC-409040*	10 A, 250 VAC	523, 535, 545, 537	2.66	2.34
932-0112	EAC-411040*	10 A, 250 VAC	545, 537	3.75	3.22

*Panel mounts are for 0.040 panel thickness. Snap-in for other panel thickness also available.



DIN Plugs and Sockets



DIN is the name given to this high-quality family of versatile miniature audio connectors. Features include solder lug or PC terminations, as well as bright nickel-plated or colorful plastic snap-on shells. Designed for audio circuitry, they are also ideal for test equipment, computers and other types of low level circuits. Precision manufactured. The parts listed are a small representation of a large and growing family. Call the closest sales office for parts not shown.

Right Angle Receptacles for PC Mounting

Shielded

Stock No.	Mfr.'s Type	Description	EACH	
			1-49	50-99
932-0183	57PC5FS	Mates with 3 or 5 pins, 5 contacts at 180°	3.85	3.36
932-0198	62PC8FS	Mates with 8 pins, 8 contacts at 270°	4.09	3.73

Unshielded

932-0200	57PC5F	Mates with 3 or 5 pins, 5 contacts at 180°	2.13	2.01
932-0201	61PC5F	Mates with 5 pins, 5 contacts at 240°	2.67	2.43
932-0202	62PC8F	Mates with 8 pins, 8 contacts at 270°	4.91	4.49

Straight Cord Plugs

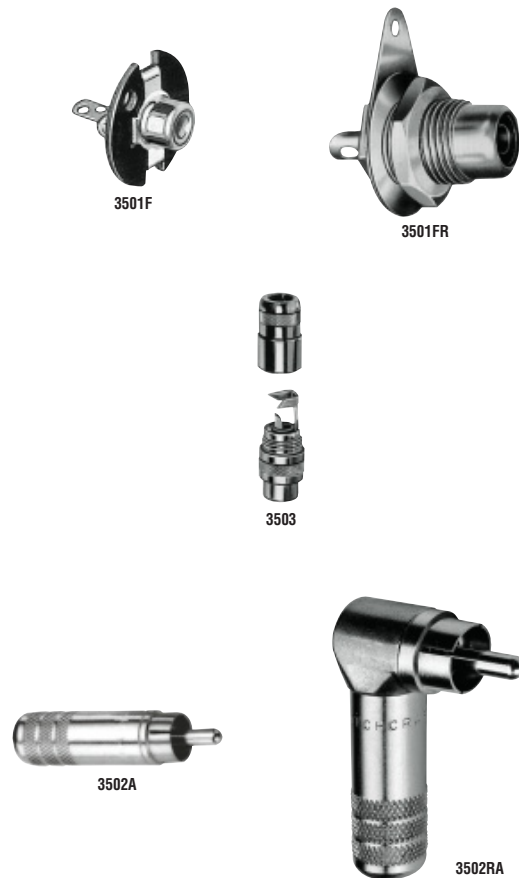
932-0153	05CL3M	With 30° locking ring, 3 pins at 180°	7.49	6.81
932-0154	05CL5M	With 30° locking ring, 5 pins at 180°	8.32	7.61
932-0166	12CL5M	With 30° locking ring, 5 pins at 240°	6.85	6.27
932-0156	05GM3M	Shielded barrel, 3 pins at 180°	3.60	3.27
932-0157	05GM5M	Shielded barrel, 5 pins at 180°	5.33	4.71
932-0165	12GM5M	Shielded barrel, 5 pins at 240°	5.43	4.99
932-0167	12GM6M	Shielded barrel, 6 pins at 240°	5.34	4.93
932-0168	15GM7M	Shielded barrel, 7 pins at 270°	5.57	5.07
932-0178	15GM8M	Shielded barrel, 8 pins at 270°	5.67	5.18
932-0162	05BL3M	Extended barrel, 3 pins at 180°	4.20	3.86
932-0155	05BL5M	Extended barrel, 5 pins at 180°	5.41	4.92
932-0164	12BL5M	Extended barrel, 5 pins at 240°	5.34	4.86
932-0163	12BL6M	Extended barrel, 6 pins at 240°	5.67	5.16
932-0169	15BL8M	Extended barrel, 8 pins at 270°	4.26	3.94

Straight Receptacles

932-8860	57HB3F	For locking ring plugs, 3 contacts at 180°	2.93	2.69
932-0186	57HB5F*	For locking ring plugs, 5 contacts at 180°	3.83	3.49
932-0188	61HA5F	For locking ring plugs, 5 contacts at 240°	4.14	3.77
932-0187	57GB3F	For shielded and extended barrel plugs, 3 contacts at 180°	2.58	2.37
932-0181	57GB5F	For shielded and extended barrel plugs, 5 contacts at 180°	2.77	2.53
932-0196	61GB6F	For shielded and extended barrel plugs, 6 contacts at 240°	3.46	3.15
932-0197	62GB7F	For shielded and extended barrel plugs, 7 contacts at 270°	3.33	3.03
932-0199	62GB8F	For shielded and extended barrel plugs, 8 contacts at 270°	4.31	3.93

*Flared solder terminals.

Phone Jacks and Plugs



Type 3501FP for front panel mount in 0.25" (6.35 mm) holes in panels up to 0.125" thick. Type 3501FR for rear panel mount in 0.375" hole in panels up to 0.203" thick. Type 3502 has unique cable clamp with 0.406" O.D. shielded removable handle. Type 3503 extension jack has shielded removable handle 0.406" O.D. with cable clamp. Series 3558 are phone plugs with cable clamp and "snap-on" color-coded plastic handles in red, black, and white.

Stock No.	Mfr.'s Type	No. of Conductors	Description	EACH		
				1-49	50-99	100-249
932-1011	3501F	2	Phono jack	2.32	2.11	1.98
932-3502	3501FP	2	Front of panel jack	1.54	1.34	1.28
932-3503	3501FR	2	Rear mount jack	2.12	1.88	1.79
932-1025	3502	2	Shielded plug	1.96	1.73	1.65
932-1012	3503	2	Extension plug	3.60	3.18	3.03
932-1098	35581	2	Red plug	1.77	1.57	1.50
932-1099	35582	2	Black plug	1.99	1.74	1.65
932-1097	35585	2	White plug	2.28	2.01	1.92
932-1026	3502A	2	Shielded plug	2.48	2.15	2.04
932-0005	3502RA	2	Shielded plug	5.50	4.99	4.69
932-0006	3502RABAU	2	—	6.47	5.87	5.51
932-0007	3502RAAU	2	—	5.66	5.14	4.82