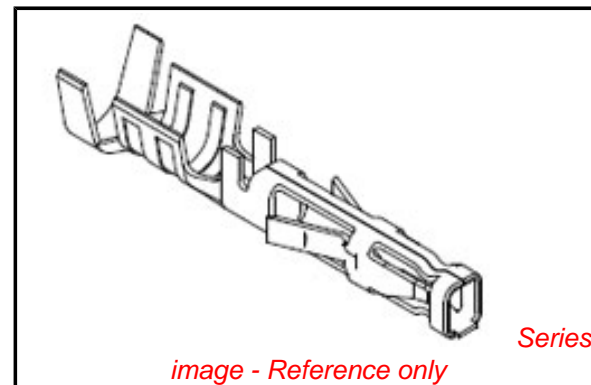


PLEASE CHECK WWW.MOLEX.COM FOR LATEST PART INFORMATION

Part Number: [46235-5003](#)
Status: **Active**
Overview: Micro-Fit 3.0™ Connectors
Description: Micro-Fit 3.0™ High Mating Cycle, Reduced Mating Force, Crimp Terminal, Female, with 0.38µm Selective Gold (Au) over Nickel (Ni), 26-30 AWG, with Lubricant

Documents:

Drawing (PDF)	Test Summary TS-46235-501 (PDF)
Product Specification PS-46235-001 (PDF)	RoHS Certificate of Compliance (PDF)
Test Summary TS-46235-001 (PDF)	Product Literature (PDF)



General

Product Family	Crimp Terminals
Series	46235
Application	Power
Comments	90% increase in mating cycles (250 cycles) and up to 50% reduction in mating force
Crimp Quality Equipment	Yes
Overview	Micro-Fit 3.0™ Connectors
Product Literature Order No	987650-5984
Product Name	Micro-Fit 3.0™
UPC	883906382391

Physical

Durability (mating cycles max)	250
Gender	Female
Material - Metal	Copper-Zinc-Tin
Material - Plating Mating	Gold
Material - Plating Termination	Nickel
Net Weight	0.046/g
Packaging Type	Reel
Plating min - Mating	0.381µm
Plating min - Termination	1.270µm
Termination Interface: Style	Crimp or Compression
Wire Insulation Diameter	1.27mm max.
Wire Size AWG	26, 28, 30
Wire Size mm²	N/A

Electrical

Voltage - Maximum	600V
-------------------	------

Material Info

Reference - Drawing Numbers

Product Specification	PS-46235-001
Sales Drawing	SD-46235-001
Test Summary	TS-46235-001, TS-46235-501

EU RoHS ELV and RoHS Compliant REACH SVHC Contains SVHC: No Low-Halogen Status Low-Halogen	China RoHS
---	-----------------------

Need more information on product environmental compliance?

Email productcompliance@molex.com
 For a multiple part number RoHS Certificate of Compliance, [click here](#)

Please visit the [Contact Us](#) section for any non-product compliance questions.

Search Parts in this Series

[46235Series](#)

Use With

Micro-Fit 3.0™ Receptacle Housing [43025](#) , [43645](#) , [44133](#)

Application Tooling | FAQ

Tooling specifications and manuals are found by selecting the products below. Crimp Height Specifications are then contained in the Application Tooling Specification document.

Global

Description	Product #
Hand Crimp Tool for Low Force Crimp Terminals	0638192900
FineAdjust™ for Low Force Crimp Terminal, 26-30 AWG Wire	0639001300
Extraction Tool	0011030043
T2 Terminator	0639101300
Tooling Die for Crimp	

This document was generated on 06/24/2013

PLEASE CHECK WWW.MOLEX.COM FOR LATEST PART INFORMATION