

PLEASE CHECK WWW.MOLEX.COM FOR LATEST PART INFORMATION

Part Number: [46235-0004](#)
Status: **Active**
Overview: Micro-Fit 3.0™ Connectors
Description: Micro-Fit 3.0™ Reduced Mating Force, Crimp Terminal, Female, with .0.76µm Selective Gold (Au) over Nickel (Ni), 26-30 AWG, without Lubricant

Documents:

[Drawing \(PDF\)](#) [RoHS Certificate of Compliance \(PDF\)](#)
[Product Specification PS-46235-001 \(PDF\)](#) [Product Literature \(PDF\)](#)
[Test Summary TS-46235-001 \(PDF\)](#)

General

| | |
|-----------------------------|-------------------------------------|
| Product Family | Crimp Terminals |
| Series | 46235 |
| Application | Power |
| Comments | Up to 50% reduction in mating force |
| Crimp Quality Equipment | Yes |
| Overview | <u>Micro-Fit 3.0™ Connectors</u> |
| Product Literature Order No | 987650-5984 |
| Product Name | Micro-Fit 3.0™ |
| UPC | 800756683614 |

Physical

| | |
|--------------------------------|----------------------|
| Durability (mating cycles max) | 40 |
| Gender | Female |
| Material - Metal | Copper-Zinc-Tin |
| Material - Plating Mating | Gold |
| Material - Plating Termination | Nickel |
| Net Weight | 0.046/g |
| Packaging Type | Reel |
| Plating min - Mating | 0.762µm |
| Plating min - Termination | 1.270µm |
| Termination Interface: Style | Crimp or Compression |
| Wire Insulation Diameter | 1.27mm max. |
| Wire Size AWG | 26, 28, 30 |
| Wire Size mm² | N/A |

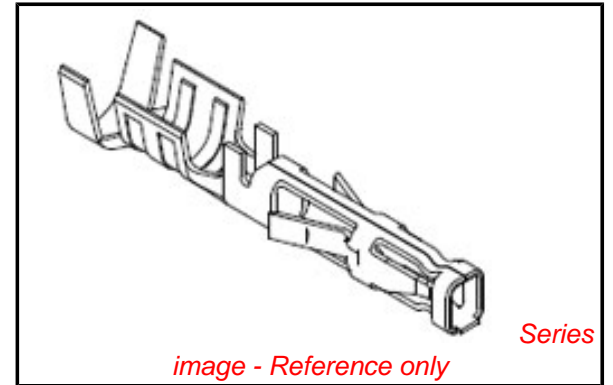
Electrical

| | |
|-------------------|------|
| Voltage - Maximum | 600V |
|-------------------|------|

Material Info

Reference - Drawing Numbers

| | |
|-----------------------|--------------|
| Product Specification | PS-46235-001 |
| Sales Drawing | SD-46235-001 |
| Test Summary | TS-46235-001 |



EU RoHS

ELV and RoHS Compliant
REACH SVHC Contains SVHC: No
Low-Halogen Status Low-Halogen

China RoHS



Need more information on product environmental compliance?

Email productcompliance@molex.com
 For a multiple part number RoHS Certificate of Compliance, [click here](#)

Please visit the [Contact Us](#) section for any non-product compliance questions.

Search Parts in this Series

[46235Series](#)

Use With

Micro-Fit 3.0™ Receptacle Housing [43025](#) , [43645](#) , [44133](#)

Application Tooling | FAQ

Tooling specifications and manuals are found by selecting the products below. Crimp Height Specifications are then contained in the Application Tooling Specification document.

Global

| Description | Product # |
|--|----------------------------|
| Extraction Tool | 0011030043 |
| T2 Terminator | 0639101300 |
| Tooling Die for Crimp Terminal, 26-30 AWG Wire | |
| FineAdjust™ for Low Force Crimp Terminal, 26-30 AWG Wire | 0639001300 |

Hand Crimp Tool for [0638192900](#)
Low Force Crimp
Terminals

This document was generated on 02/11/2013

PLEASE CHECK WWW.MOLEX.COM FOR LATEST PART INFORMATION