

# HONEYWELL

## 4602CH1-3

*See full Datasheet below...*

**onlinecomponents.com**

THE ONLINE DISTRIBUTOR OF ELECTRONIC COMPONENTS

**BUY NOW**



**MASTER**<sup>TM</sup>  
ELECTRONICS

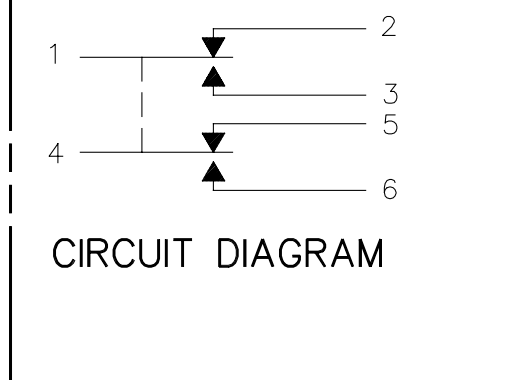
**BUY NOW**

masterelectronics.com & onlinecomponents.com  
are **authorized** e-commerce distributors  
of electronic components.

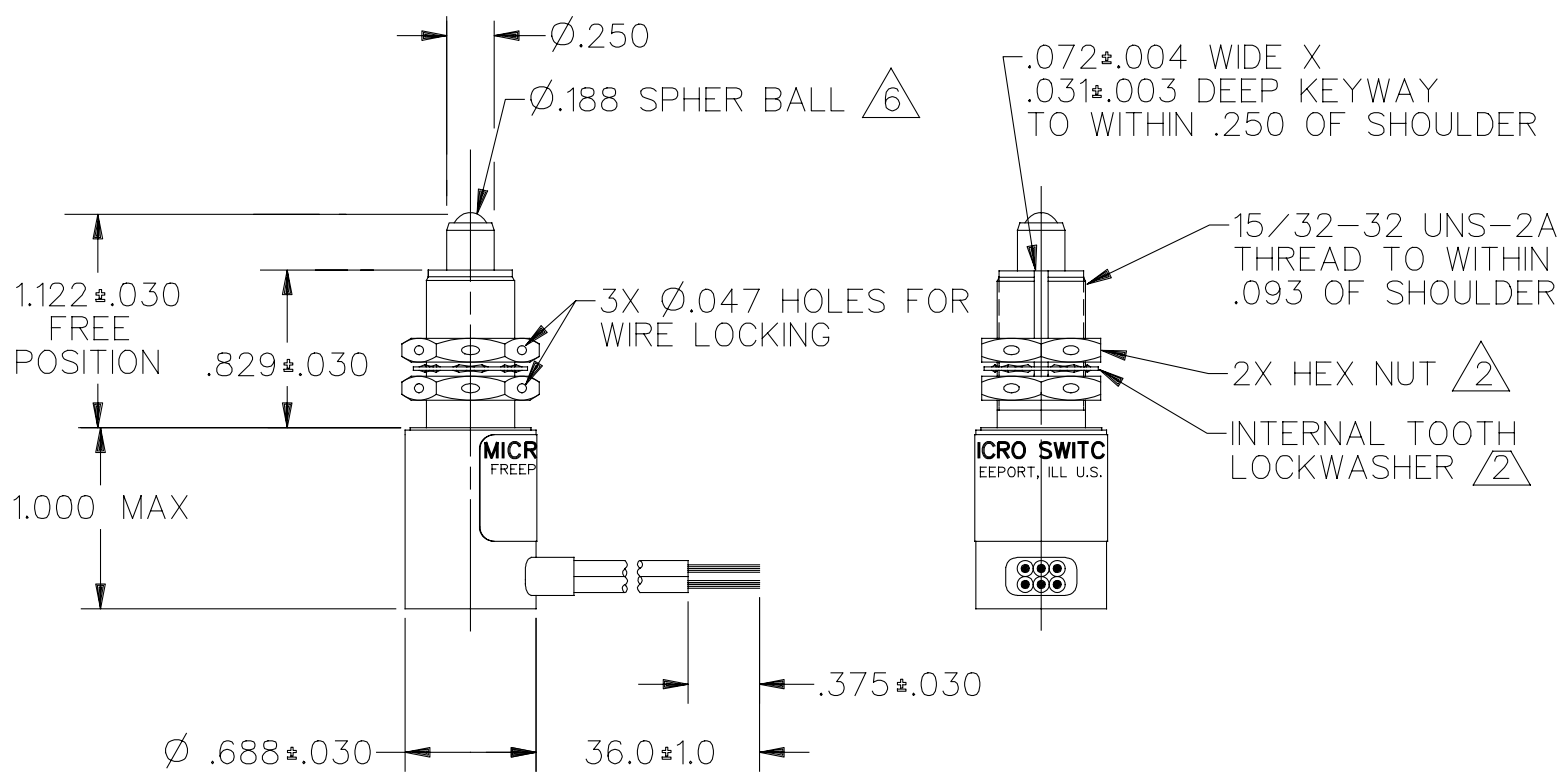
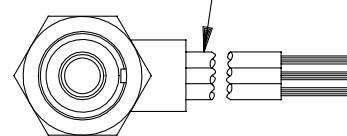
**M** 4602CH1-3

**SPECIFICATION DETAILS:**

STANDARD:	CONFORMS TO MS27240-3 (MIL-S-8805/43), EXCEPT AS NOTED			
CONSTRUCTION:	WATERTIGHT SEAL PER MIL-S-8805, SYMBOL 3			
ENCLOSURE DESIGN	SMOOTH SILVER CONTACTS WITH GOLD PLATE			
CONTACT MATERIAL & CONFIGURATION	2 SPDT			
CIRCUIT CONFIGURATION	LEADWIRE PER MIL-W-81044/12			
TERMINATION	4.0 OZS MAX			
WEIGHT	CORROSION RESISTANT STAINLESS STEEL			
EXPOSED METALS				
ELECTRICAL CHARACTERISTICS:				
ELECTRICAL RATINGS	VOLTAGE	RESISTIVE	LOAD INDUCTIVE	MOTOR
-SEA LEVEL	28VDC	7A	4A	4A
-50,000 FEET	28VDC	7A	2.5A	
DIELECTRIC STRENGTH & INSULATION RESISTANCE	DIELECTRIC STRENGTH ( $\approx$ 60 Hz, FOR 5 SECONDS)		INSULATION RESISTANCE (500 VDC $\pm$ 10%)	
-BETWEEN TERMINALS AND EXPOSED NON-CURRENT CARRYING METAL	1000 V Rms, 500 $\mu$ A (MAX LEAKAGE)		1000 Megohm MIN	
-BETWEEN TERMINALS OF MUTUALLY INSULATED CIRCUITS	1000 V Rms, 500 $\mu$ A (MAX LEAKAGE)		1000 Megohm MIN	
-BETWEEN ALL UNCONNECTED TERMINALS OF THE SAME POLE	1000 V Rms, 500 $\mu$ A (MAX LEAKAGE)		1000 Megohm MIN	
SWITCH RESISTANCE	$\triangle$ 5			
RECOMMENDATION OR USE IN APPLICATIONS LESS THAN .5 AMPS AND/OR 12 VOLTS	NO $\triangle$ 3			
MECHANICAL CHARACTERISTICS:				
CHARACTERISTICS:				
COINCIDENCE OF OPERATING AND RELEASING POINTS	.010 OF PLUNGER TRAVEL			
OPERATING FORCE	3-6 LBS			
FULL OVERTRAVEL FORCE	17 LB MAX			
RELEASE FORCE	2 LB MIN			
PRETRAVEL	.040 MAX			
DIFFERENTIAL TRAVEL	.020 MAX			
OVERTRAVEL	.125 MIN			
MOUNTING STRENGTH	15 IN-LBS			
ACTUATOR STRENGTH	30 LBS APPLIED IN A DIRECTION TO CAUSE SWITCH ACTUATION			
LIFE:				
MECHANICAL LIFE	PER MIL-S-8805/43 $\triangle$ 4			
ELECTRICAL LIFE AT FULL RATED LOAD	PER MIL-S-8805/43 $\triangle$ 4			
ENVIRONMENTAL:				
TEMPERATURE RANGE	-55°C TO +85°C			
ALTITUDE RANGE	SEA LEVEL TO 50,000 FEET			
SHOCK	PER MIL-S-8805 SYMBOL M - 100 g			
VIBRATION	PER MIL-S-8805 SYMBOL 2 - 10-2000 Hz & 15 g PEAK			
MOISTURE RESISTANCE	PER MIL-S-8805			
THERMAL SHOCK	PER MIL-S-8805			
SALT SPRAY	PER MIL-S-8805			



6X NO. 20 WIRE LEADS PER MIL-W-81044/12 MARKED WITH CIRCUIT IDENTIFICATION AND WIRE GAGE (1-20, 2-20, ETC) PER MIL-W-5088



**NOTES**

- 1 - CIRCUIT DIAGRAM AND CATALOG LISTING SHOWN ON NAMEPLATE
- $\triangle$ 2 - HARDWARE MAY BE PACKAGED UNASSEMBLED PER MIL-S-8805. 2X NUT: .62 ACROSS FLATS X .125 THICK (MS 21340-04), INTERNAL TOOTH:  $\phi$ .60 X (.018) (MS 35333-136)
- $\triangle$ 3 - CONTACT HONEYWELL-MICRO SWITCH IF ADDITIONAL INFORMATION ON LOW ENERGY LOADS IS REQUIRED OR FOR HELP WITH SPECIFIC APPLICATIONS
- $\triangle$ 4 - LIFE RATINGS ARE PER MIL-S-8805 REQUIREMENTS. ACTUAL LIFE EXCEEDS RATED LIFE. CONTACT HONEYWELL-MICRO SWITCH FOR ADDITIONAL DATA
- $\triangle$ 5 - SWITCH RESISTANCE EQUALS SWITCH CONTACT RESISTANCE PLUS WIRE LEAD LENGTH (OHMS/FT). SWITCH CONTACT RESISTANCE SHALL NOT EXCEED .025 OHMS INITIALLY AND .040 OHMS AFTER MECHANICAL ENDURANCE TEST. AFTER ELECTRICAL ENDURANCE, THE SWITCH CONTACT RESISTANCE SHALL NOT EXCEED 1% OF THE LOAD IMPEDANCE USING THE ELECTRICAL PARAMETERS OF THE ELECTRICAL ENDURANCE TEST LOAD. WIRE LEAD RESISTANCE EQUALS 9.88 OHMS/1000 FT MAX AT 20° C
- $\triangle$ 6 - ROLLER BALL BEARING PLUNGER FOR USE WITH 20° MAX RISE ON CAM OR SLIDE ACTUATION

DRAWING NUMBER 4602CH1-3

ISSUE 5

REVISIONS  
A PR22143  
MAM  
10 SEP 96  
B C083869  
TSM  
31 OCT 96

CHECK  
RELEASE NO. PR-22143-T REPLACES  
PAGE 1 OF 1  
CHECK  
TSM  
16 SEP 96  
CHECK  
MAM  
10 SEP 96  
DRAWN  
D.D.M./CAD

MASTER REDUCED  
ANSI Y14.5M-1982 APPLIES

LIFE RATINGS BEYOND MIL-S-8805 REQUIREMENTS PER MICRO SWITCH TEST PLAN		THIRD ANGLE PROJECTION 	
MECHANICAL LIFE	100,000	SCALE FULL	
		DO NOT SCALE PRINT	
		<b>UNLESS OTHERWISE SPECIFIED TOLERANCES ARE</b>	
		ONE PLACE (.0)	$\pm$ .030
		TWO PLACES (.00)	$\pm$ .015
		THREE PLACES (.000)	$\pm$ .005
		ANGLES	$\pm$
		WEIGHT	

	SWITCH-ENCLOSED	CATALOG LISTING	4602CH1-3