

**PLEASE CHECK WWW.MOLEX.COM FOR LATEST PART INFORMATION**

**Part Number:** **0460181542**  
**Status:** **Active**  
**Description:** Mini-Fit® High Cycle Female Crimp Terminal, 18-20 AWG, Bag, Gold (Au) Flash Over Palladium Nickel (PdNi) Contact Plating

**Documents:**

<a href="#">Drawing (PDF)</a>	<a href="#">Product Specification PS-46018-003 (PDF)</a>
<a href="#">Product Specification PS-46018-001 (PDF)</a>	<a href="#">Packaging Specification PK-46018-001 (PDF)</a>
<a href="#">Product Specification PS-46018-002 (PDF)</a>	<a href="#">RoHS Certificate of Compliance (PDF)</a>

**General**

Product Family	Crimp Terminals
Series	46018
Application	Power
Comments	Current Rating = 9A Max. Using 18 AWG Wire and 7A Max. Using 20 AWG Wire
Crimp Quality Equipment	Yes
Product Name	Mini-Fit®

**Physical**

Durability (mating cycles max)	1,000
Gender	Female
Material - Metal	Copper-Nickel-Silicon
Material - Plating Mating	Gold
Material - Plating Termination	Tin
Packaging Type	Bag
Plating min - Mating	0.051µm (2µ")
Plating min - Termination	2.540µm (100µ")
Termination Interface: Style	Crimp or Compression
Wire Insulation Diameter	1.65-2.95mm (.065-.116")
Wire Size AWG	18, 20
Wire Size mm²	N/A

**Electrical**

Current - Maximum per Contact	13A
Voltage - Maximum	600V

**Material Info**

**Reference - Drawing Numbers**

Packaging Specification	PK-46018-001
Product Specification	PS-46018-001, PS-46018-002, PS-46018-003
Sales Drawing	SD-46018-001

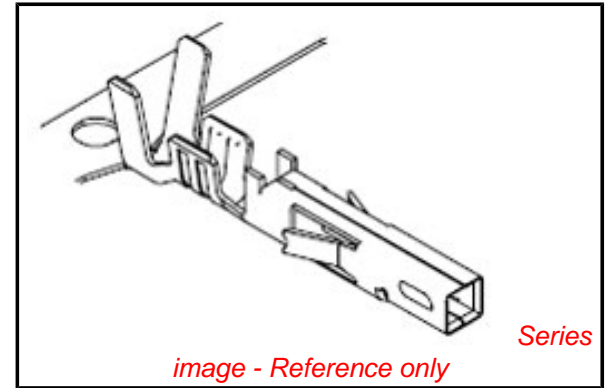


image - Reference only

**EU RoHS**

**ELV and RoHS Compliant**  
**REACH SVHC Contains SVHC: No**  
**Low-Halogen Status Low-Halogen**

**China RoHS**



**Need more information on product environmental compliance?**

Email [productcompliance@molex.com](mailto:productcompliance@molex.com)  
 For a multiple part number RoHS Certificate of Compliance, [click here](#)

Please visit the [Contact Us](#) section for any non-product compliance questions.

**Search Parts in this Series**

46018Series

**Use With**

5557 Mini-Fit Jr.™ Receptacles, 30067 Mini-Fit® TPA Receptacles, 42474 Mini-Fit® MBI Panel Mount Receptacles, 44516 Mini-Fit® BMI Panel Mount Slide-N-Lock Receptacles

**Application Tooling | FAQ**

*Tooling specifications and manuals are found by selecting the products below. Crimp Height Specifications are then contained in the Application Tooling Specification document.*

**Global**

Description	Product #
Hand Crimp Tool for Mini-Fit™ Jr. Male and Female Crimp Terminals, 16-24 AWG	0638190900
Extraction Tool	0011030044

This document was generated on 10/18/2011

**PLEASE CHECK [WWW.MOLEX.COM](http://WWW.MOLEX.COM) FOR LATEST PART INFORMATION**