

**PLEASE CHECK WWW.MOLEX.COM FOR LATEST PART INFORMATION**

**Part Number:** [46018-1541](#)  
**Status:** **Active**  
**Description:** Mini-Fit® Plus HMC (High Mating Cycle) Female Crimp Terminal, 18-20 AWG, Reel, Select Gold (Au) Plating with Proprietary Molex Advanced Contact Surface Finish (CSF) in Contact Area

**Documents:**

[Drawing \(PDF\)](#) [Test Summary TS-46018-001 \(PDF\)](#)  
[Packaging Specification PK-46018-001 \(PDF\)](#) [RoHS Certificate of Compliance \(PDF\)](#)

**General**

Product Family	Crimp Terminals
Series	<a href="#">46018</a>
Application	Power
Comments	Current Rating = 9A Max. Using 18 AWG Wire and 7A Max. Using 20 AWG Wire
Crimp Quality Equipment	Yes
Packaging Alternative	<a href="#">46018-1542 (Loose)</a>
Product Name	Mini-Fit® Plus HMC
UPC	822350560474

**Physical**

Gender	Female
Material - Metal	Copper Alloy
Material - Plating Mating	Gold
Material - Plating Termination	Tin
Net Weight	0.150/g
Packaging Type	Reel
Plating min - Mating	0.051µm
Plating min - Termination	2.540µm
Termination Interface: Style	Crimp or Compression
Wire Insulation Diameter	1.65-2.95mm
Wire Size AWG	18, 20
Wire Size mm²	N/A

**Electrical**

Current - Maximum per Contact	13A
Voltage - Maximum	600V

**Material Info**

**Reference - Drawing Numbers**

Packaging Specification	PK-46018-001
Sales Drawing	SD-46018-001
Test Summary	TS-46018-001

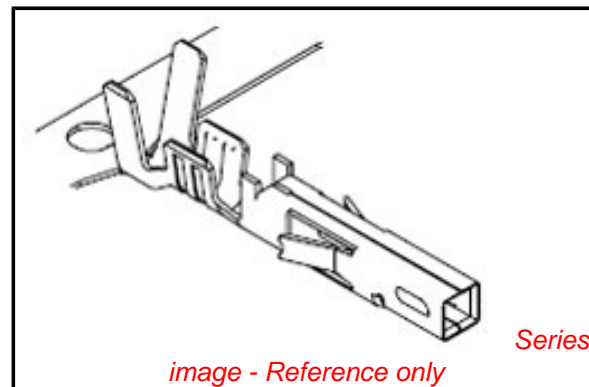


image - Reference only

**EU RoHS**

**ELV and RoHS Compliant**  
**REACH SVHC Contains SVHC: No**  
**Low-Halogen Status Low-Halogen**

**China RoHS**



**Need more information on product environmental compliance?**

Email [productcompliance@molex.com](mailto:productcompliance@molex.com)  
 For a multiple part number RoHS Certificate of Compliance, [click here](#)

Please visit the [Contact Us](#) section for any non-product compliance questions.

**Search Parts in this Series**

[46018Series](#)

**Use With**

5557 Mini-Fit Jr.™ Receptacles, 30067 Mini-Fit® TPA Receptacles, 42474 Mini-Fit® BMI Panel Mount Receptacles, 44516 Mini-Fit® BMI Panel Mount Slide-N-Lock Receptacles

**Application Tooling | FAQ**

*Tooling specifications and manuals are found by selecting the products below. Crimp Height Specifications are then contained in the Application Tooling Specification document.*

**Global**

Description	Product #
FineAdjust™ Applicator for Insulation OD 2.50-2.95mm - 18-24 AWG	<a href="#">0639002600</a>
FineAdjust™ Applicator for Insulation OD	<a href="#">0639002900</a>

1.65-2.05mm - 18-24  
 AWG  
 FineAdjust™ 0639015600  
 Applicator for  
 Insulation OD  
 1.90-2.30mm - 18-24  
 AWG  
 FineAdjust™ 0639023900  
 Applicator for  
 Insulation OD  
 1.40-1.70mm - 18-24  
 AWG  
 FineAdjust™ 0639024800  
 Applicator for  
 Insulation OD  
 2.50-2.95mm  
 Optimized for 18  
 AWG Only  
 FineAdjust™ 0639024900  
 Applicator for  
 Insulation OD  
 2.30-2.60mm - 18-24  
 AWG  
 Extraction Tool 0011030044  
 T2 Terminator™ 0639115600  
 for insulation OD  
 1.90-2.30mm - 18-24  
 AWG  
 T2 Terminator™ 0639124900  
 for insulation OD  
 2.30-2.60mm - 18-24  
 AWG  
 T2 Terminator™ 0639102600  
 for insulation OD  
 2.50-2.95mm - 18-24  
 AWG  
 T2 Terminator™ for 0639102900  
 insulation OD 1.65  
 – 2.05mm – 18 – 24  
 AWG  
 T2 Terminator™ 0639123900  
 for insulation OD  
 1.40-1.70mm - 18-24  
 AWG  
 T2 Terminator™ 0639124800  
 for insulation OD  
 2.50-2.95mm  
 optimized for 18  
 AWG only  
 Hand Crimp Tool for 0638190900  
 Male and Female  
 Crimp Terminals,  
 16-24 AWG Wire

This document was generated on 02/11/2013

**PLEASE CHECK [WWW.MOLEX.COM](http://WWW.MOLEX.COM) FOR LATEST PART INFORMATION**