

**PLEASE CHECK WWW.MOLEX.COM FOR LATEST PART INFORMATION**

**Part Number:** [46015-1607](#)

**Status:** **Active**

**Overview:** [Mini-Fit® Plus HCS](#)

**Description:** 4.20mm Pitch Mini-Fit® Plus HCS Header, Dual Row, Vertical, 16 Circuits, with Snap-in Plastic Peg PCB Lock, without Drain Holes, PA Polyamide Nylon 6/6, UL 94V-2, Tin (Sn) 1.27µm Over Nickel (Ni) Plating

**Documents:**

[3D Model](#)

[Drawing \(PDF\)](#)

[Product Specification PS-45750-001 \(PDF\)](#)

[RoHS Certificate of Compliance \(PDF\)](#)

**Agency Certification**

CSA	LR19980
UL	E29179

**General**

Product Family	PCB Headers
Series	<a href="#">46015</a>
Application	Power, Wire-to-Board
Comments	Current = 13A max. per circuit when header is mated to a receptacle loaded with <a href="#">45750</a> Mini-Fit® Plus HCS Crimp Terminal Crimped to 16 AWG wire., See Molex product specification PS-45750-001 for additional current de-rating information.

Overview	<a href="#">Mini-Fit® Plus HCS</a>
Product Name	Mini-Fit® Plus HCS
UPC	822350737630

**Physical**

Breakaway	No
Circuits (Loaded)	16
Circuits (maximum)	16
Color - Resin	Natural
Durability (mating cycles max)	75
First Mate / Last Break	No
Flammability	94V-2
Glow-Wire Compliant	No
Guide to Mating Part	No
Keying to Mating Part	None
Lock to Mating Part	Yes
Material - Metal	Copper Alloy
Material - Plating Mating	Tin
Material - Plating Termination	Tin
Material - Resin	Nylon
Net Weight	3.495/g
Number of Rows	2
Orientation	Vertical
PC Tail Length	1.80mm
PCB Locator	Yes
PCB Retention	Yes
PCB Thickness - Recommended	1.78mm
Packaging Type	Tray
Pitch - Mating Interface	4.20mm
Plating min - Mating	2.540µm
Plating min - Termination	1.270µm
Polarized to Mating Part	Yes

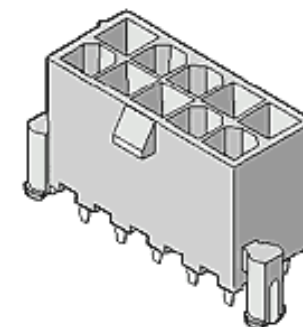


image - Reference only

Series

**EU RoHS**

**ELV and RoHS Compliant**

**REACH SVHC**

**Contains SVHC: No**

**Low-Halogen Status**

**Low-Halogen**

**China RoHS**



**Need more information on product environmental compliance?**

Email [productcompliance@molex.com](mailto:productcompliance@molex.com)  
For a multiple part number RoHS Certificate of Compliance, [click here](#)

Please visit the [Contact Us](#) section for any non-product compliance questions.

**Search Parts in this Series**

[46015Series](#)

**Mates With**

[5557 Mini-Fit Jr.™ Receptacle Housing](#)

Polarized to PCB	Yes
Shrouded	Fully
Stackable	No
Surface Mount Compatible (SMC)	No
Temperature Range - Operating	-40°C to +105°C
Termination Interface: Style	Through Hole

#### **Electrical**

Current - Maximum per Contact	13A
Voltage - Maximum	600V

#### **Solder Process Data**

Duration at Max. Process Temperature (seconds)	5
Lead-free Process Capability	Wave Capable (TH only)
Max. Cycles at Max. Process Temperature	1
Process Temperature max. C	240

#### **Material Info**

#### **Reference - Drawing Numbers**

Product Specification	PS-45750-001
Sales Drawing	SD-46015-001

This document was generated on 06/03/2013

**PLEASE CHECK [WWW.MOLEX.COM](http://WWW.MOLEX.COM) FOR LATEST PART INFORMATION**