

PLEASE CHECK WWW.MOLEX.COM FOR LATEST PART INFORMATION

Part Number: [46014-3001](#)
Status: **Active**
Description: 4.20mm Pitch Mini-Fit® Plus HCS Header, Single Row, Vertical, 3 Circuits -2 Circuits Voided, with Snap-in Plastic Peg PCB Lock, PA Polyamide Nylon 6/6, UL 94V-2, Gold (Au) 0.76µm Over Nickel (Ni) Plating

Documents:

[3D Model](#) [Product Specification PS-45750-001 \(PDF\)](#)
[Drawing \(PDF\)](#) [RoHS Certificate of Compliance \(PDF\)](#)

Agency Certification

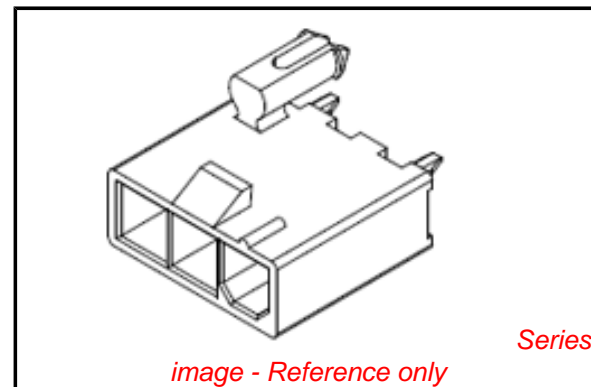
CSA LR19980
 UL E29179

General

Product Family PCB Headers
 Series [46014](#)
 Application Board-to-Board, Power, Wire-to-Board
 Comments 11.5A When using as Board-to-Board Applications|
 12.5A When Using as Wire-to-Board
 Product Name Mini-Fit® Plus HCS
 UPC 884982067721

Physical

Breakaway No
 Circuits (Loaded) 3
 Circuits (maximum) 3
 Color - Resin Natural
 Durability (mating cycles max) 100
 First Mate / Last Break No
 Flammability 94V-0
 Glow-Wire Compliant No
 Guide to Mating Part No
 Keying to Mating Part None
 Lock to Mating Part Yes
 Material - Metal Copper Alloy
 Material - Plating Mating Gold
 Material - Plating Termination Nickel
 Material - Resin Nylon
 Net Weight 0.771/g
 Number of Rows 1
 Orientation Vertical
 PC Tail Length 1.80mm
 PCB Locator Yes
 PCB Retention Yes
 PCB Thickness - Recommended 1.78mm
 Packaging Type Tray
 Pitch - Mating Interface 4.20mm
 Polarized to Mating Part Yes
 Polarized to PCB Yes
 Shrouded Fully
 Stackable No
 Surface Mount Compatible (SMC) No
 Temperature Range - Operating -40°C to +105°C
 Termination Interface: Style Through Hole



EU RoHS

ELV and RoHS Compliant
REACH SVHC Contains SVHC: No
Low-Halogen Status Low-Halogen

China RoHS



Need more information on product environmental compliance?

Email productcompliance@molex.com
 For a multiple part number RoHS Certificate of Compliance, [click here](#)

Please visit the [Contact Us](#) section for any non-product compliance questions.

Search Parts in this Series

[46014Series](#)

Mates With

[5557 Mini-Fit Jr.™ Receptacle Housing](#)

Electrical

Current - Maximum per Contact 11.5A, 12.5A
Voltage - Maximum 600V

Solder Process Data

Duration at Max. Process Temperature (seconds) 5
Lead-free Process Capability Wave Capable (TH only)
Max. Cycles at Max. Process Temperature 1
Process Temperature max. C 240

Material Info**Reference - Drawing Numbers**

Product Specification PS-45750-001
Sales Drawing SD-46014-004

This document was generated on 06/03/2013

PLEASE CHECK WWW.MOLEX.COM FOR LATEST PART INFORMATION