

**PLEASE CHECK WWW.MOLEX.COM FOR LATEST PART INFORMATION**

**Part Number:** [46014-0503](#)  
**Status:** **Active**  
**Description:** 4.20mm Pitch Mini-Fit® Plus HCS Header, Single Row, Vertical, 5 Circuits, with Snap-in Plastic Peg PCB Lock, PA Polyamide Nylon 6/6, UL 94V-0, Tin (Sn) Over Nickel (Ni) Plating

**Documents:**

[3D Model](#) [Product Specification PS-45750-001 \(PDF\)](#)  
[Drawing \(PDF\)](#) [RoHS Certificate of Compliance \(PDF\)](#)

**Agency Certification**

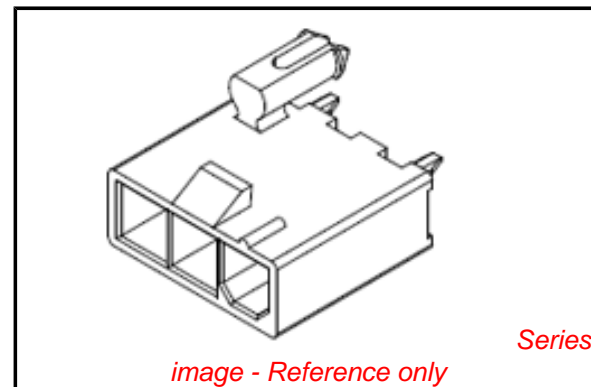
CSA LR19980  
 UL E29179

**General**

Product Family PCB Headers  
 Series [46014](#)  
 Application Board-to-Board, Power, Wire-to-Board  
 Comments 11.5A When using as Board-to-Board Applications|12A When Using as Wire-to-Board  
 Product Name Mini-Fit® Plus HCS  
 UPC 884982067783

**Physical**

Breakaway No  
 Circuits (Loaded) 5  
 Circuits (maximum) 5  
 Color - Resin Natural  
 Durability (mating cycles max) 100  
 First Mate / Last Break No  
 Flammability 94V-0  
 Glow-Wire Compliant No  
 Guide to Mating Part No  
 Keying to Mating Part None  
 Lock to Mating Part Yes  
 Material - Metal Copper Alloy  
 Material - Plating Mating Tin  
 Material - Plating Termination Nickel  
 Material - Resin Nylon  
 Net Weight 1.336/g  
 Number of Rows 1  
 Orientation Vertical  
 PC Tail Length 1.80mm  
 PCB Locator Yes  
 PCB Retention Yes  
 PCB Thickness - Recommended 1.78mm  
 Packaging Type Tray  
 Pitch - Mating Interface 4.20mm  
 Polarized to Mating Part Yes  
 Polarized to PCB Yes  
 Shrouded Fully  
 Stackable No  
 Surface Mount Compatible (SMC) No  
 Temperature Range - Operating -40°C to +105°C  
 Termination Interface: Style Through Hole



**EU RoHS**

**ELV and RoHS Compliant**  
**REACH SVHC Contains SVHC: No**  
**Low-Halogen Status Low-Halogen**

**China RoHS**



**Need more information on product environmental compliance?**

Email [productcompliance@molex.com](mailto:productcompliance@molex.com)  
 For a multiple part number RoHS Certificate of Compliance, [click here](#)

Please visit the [Contact Us](#) section for any non-product compliance questions.

**Search Parts in this Series**

[46014Series](#)

**Mates With**

[5557 Mini-Fit Jr.™ Receptacle Housing](#)

**Electrical**

Current - Maximum per Contact 11.5A, 12A  
Voltage - Maximum 600V

**Solder Process Data**

Duration at Max. Process Temperature (seconds) 5  
Lead-free Process Capability Wave Capable (TH only)  
Max. Cycles at Max. Process Temperature 1  
Process Temperature max. C 240

**Material Info****Reference - Drawing Numbers**

Product Specification PS-45750-001  
Sales Drawing SD-46014-001

This document was generated on 06/03/2013

**PLEASE CHECK [WWW.MOLEX.COM](http://WWW.MOLEX.COM) FOR LATEST PART INFORMATION**