

PLEASE CHECK WWW.MOLEX.COM FOR LATEST PART INFORMATION

Part Number: [46014-0406](#)

Status: **Active**

Description: 4.20mm Pitch Mini-Fit® Plus HCS Header, Single Row, Vertical, 4 Circuits, with Snap-in Plastic Peg PCB Lock, PA Polyamide Nylon 6/6, UL 94V-0, Gold (Au) 0.76µm Over Nickel (Ni) Plating

Documents:

[3D Model](#)

[Drawing \(PDF\)](#)

[Product Specification PS-45750-001 \(PDF\)](#)

[RoHS Certificate of Compliance \(PDF\)](#)

Agency Certification

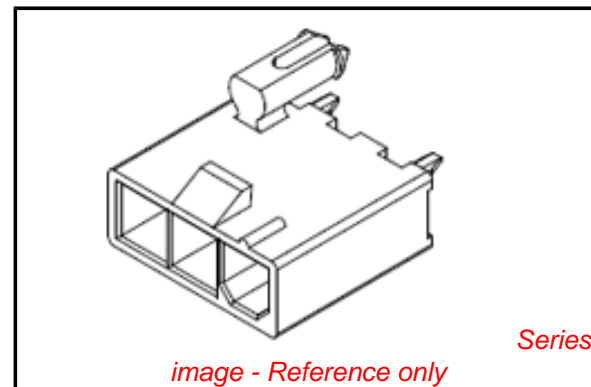
CSA LR19980
UL E29179

General

Product Family PCB Headers
Series [46014](#)
Application Board-to-Board, Power, Wire-to-Board
Comments 11.5A When using as Board-to-Board Applications|12A When Using as Wire-to-Board
Product Name Mini-Fit® Plus HCS
UPC 884982067769

Physical

Breakaway No
Circuits (Loaded) 4
Circuits (maximum) 4
Color - Resin Natural
Durability (mating cycles max) 250
First Mate / Last Break No
Flammability 94V-0
Glow-Wire Compliant No
Guide to Mating Part No
Keying to Mating Part None
Lock to Mating Part Yes
Material - Metal Copper Alloy
Material - Plating Mating Gold
Material - Plating Termination Nickel
Material - Resin Nylon
Net Weight 1.095/g
Number of Rows 1
Orientation Vertical
PC Tail Length 1.80mm
PCB Locator Yes
PCB Retention Yes
PCB Thickness - Recommended 1.78mm
Packaging Type Tray
Pitch - Mating Interface 4.20mm
Polarized to Mating Part Yes
Polarized to PCB Yes
Shrouded Fully
Stackable No
Surface Mount Compatible (SMC) No
Temperature Range - Operating -40°C to +105°C
Termination Interface: Style Through Hole



EU RoHS

ELV and RoHS Compliant

REACH SVHC

Contains SVHC: No

Low-Halogen Status

Low-Halogen

China RoHS



Need more information on product environmental compliance?

Email productcompliance@molex.com
For a multiple part number RoHS Certificate of Compliance, [click here](#)

Please visit the [Contact Us](#) section for any non-product compliance questions.

Search Parts in this Series

[46014Series](#)

Mates With

[5557 Mini-Fit Jr.™ Receptacle Housing](#)

Electrical

Current - Maximum per Contact 11.5A, 12A
Voltage - Maximum 600V

Solder Process Data

Duration at Max. Process Temperature (seconds) 5
Lead-free Process Capability Wave Capable (TH only)
Max. Cycles at Max. Process Temperature 1
Process Temperature max. C 240

Material Info**Reference - Drawing Numbers**

Product Specification PS-45750-001
Sales Drawing SD-46014-001

This document was generated on 06/03/2013

PLEASE CHECK WWW.MOLEX.COM FOR LATEST PART INFORMATION