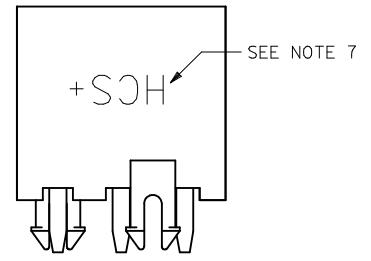
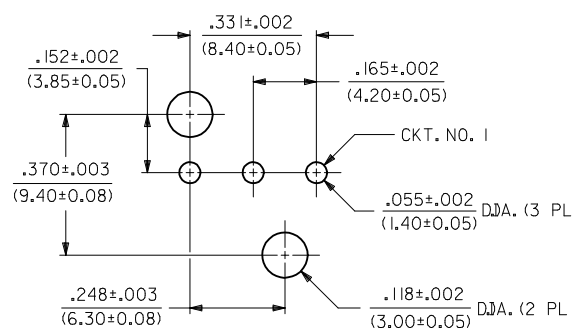
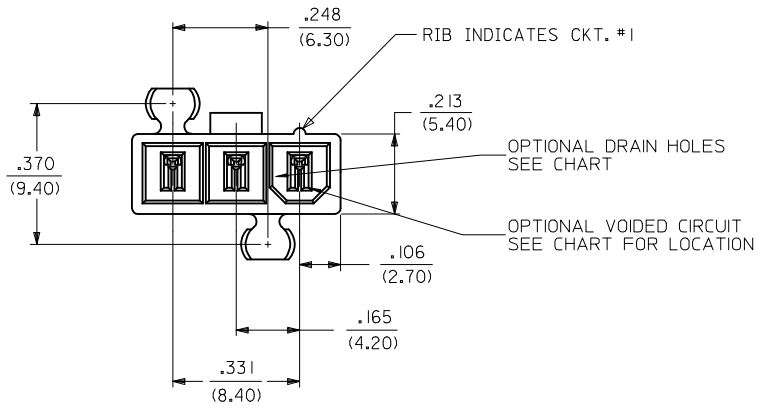
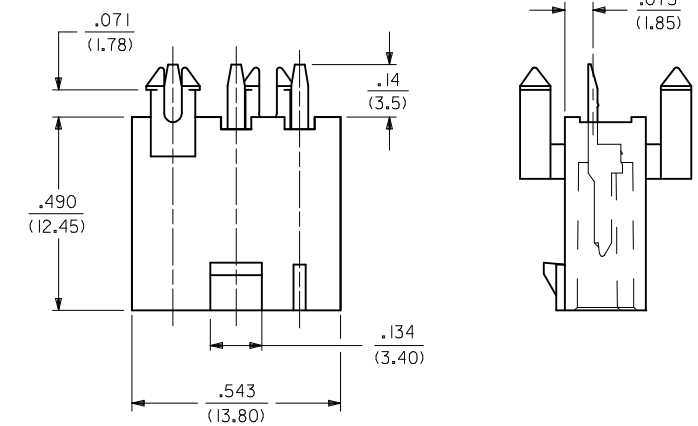


NOTES:

- 1) MATERIALS:
 HOUSING: 1 - NYLON 6/6, UL 94V-2, COLOR: NATURAL
 2 - NYLON 6/6, UL 94V-0, COLOR: NATURAL
 TERMINALS: COPPER ALLOY
- 2) TERMINAL PLATING:
 1 - .000100/(.00254) MIN. BRIGHT TIN OVER
 .000050/(.00127) MIN. NICKEL OVERALL
 2 - .000030/(.00076) MIN. SELECT GOLD AND
 .000100/(.00254) MIN. SELECT MATTE TIN OVER
 .000050/(.00127) MIN. NICKEL OVERALL
- 3) PRODUCT SPECIFICATION: PS-45750-001
- 4) PACKAGING: TRAY PACK PER PK-5566-002
- 5) PART MATES WITH WITH MINI-FIT JR. RECEPTACLE #5557.
- 6) PART IS NOT DESIGNED FOR CURRENT SHARING.
- 7) PARTS TO HAVE "HCS+" MARKING.
- 8) PART CONFORMS TO CLASS "B" REQUIREMENTS OF COSMETIC SPECIFICATION PS-45499-002.



ITEM NO.	HOUSING MATERIAL	PLATING	VOID CIRCUIT	DRAIN HOLE
46014-0300	V-0		NONE	YES
46014-0301	V-2	TIN		
46014-0302	V-0	GOLD		
46014-0303	V-2		NONE	NO
46014-0304	V-0	TIN		
46014-0305	V-2			
46014-0306	V-0	GOLD		
46014-0307	V-2			

PART NUMBERS WITH VOIDED CIRCUITS

ITEM NO.	HOUSING MATERIAL	PLATING	VOID CIRCUIT	DRAIN HOLE
46014-3001	V-0	GOLD	2	NO

RECOMMENDED HOLE LAYOUT FOR
 .070/(1.78) MAX. THICK P. C. BOARD

ADD -3001 EC NO: UCP2010-0593 DRWN: JAGUILAR 2009/09/15 CHKD: J BELL 2009/09/24 APPR: F SMITH 2009/09/24 A2	QUALITY SYMBOLS ▽=0 ▽=0	GENERAL TOLERANCES (UNLESS SPECIFIED)		DIMENSION STYLE IN/MM		SCALE 1:1	DESIGN UNITS METRIC	THIRD ANGLE PROJECTION			
		4 PLACES ± --- ± ---	3 PLACES ± --- ± .010	DRAWN BY TGREGORI	DATE 2006/04/27	TITLE VERTICAL HEADER ASSEMBLY SINGLE ROW, 3 CKT MINI-FIT PLUS HCS SERIES					
		2 PLACES ± 0.25 ± .015	1 PLACE ± 0.38 ± ---	CHECKED BY JCOMERC I	DATE 2006/04/27	MOLEX INCORPORATED					
		ANGULAR ± 1/2°		APPROVED BY JCOMERC I	DATE 2006/04/27	MATERIAL NO. SEE CHART		DOCUMENT NO. SD-46014-003	SHEET NO. 1 OF 1		
DRAFT WHERE APPLICABLE MUST REMAIN WITHIN DIMENSIONS				THIS DRAWING CONTAINS INFORMATION THAT IS PROPRIETARY TO MOLEX INCORPORATED AND SHOULD NOT BE USED WITHOUT WRITTEN PERMISSION							