

# 45AYT6C ✓ ACTIVE

Corcom | Corcom AYT

TE Internal #: 6609073-3

3-Phase Filters, 45A Current Rating, Stud Input, Stud Output, WYE (4 wire + ground), Operating Voltage 440 VAC, Chassis, Corcom AYT

[View on TE.com >](#)



EMI & EMC Solutions > EMI Filters > Power Line Filters > 3-Phase Filters > 3 Phase Filters, Corcom AYT Series



Current Rating: **45 A**

Input Termination Type: **Stud**

Output Termination Type: **Stud**

Wiring Configuration: **WYE (4 wire + ground)**

Operating Voltage: **440 VAC**

[All 3 Phase Filters, Corcom AYT Series \(4\)](#)

## Features

### Product Type Features

|                         |          |
|-------------------------|----------|
| Filtering Requirements  | Filtered |
| Input Termination Type  | Stud     |
| Output Termination Type | Stud     |

### Configuration Features

|                      |                       |
|----------------------|-----------------------|
| Wiring Configuration | WYE (4 wire + ground) |
|----------------------|-----------------------|

### Electrical Characteristics

|                                      |         |
|--------------------------------------|---------|
| Leakage Current (Max) (250VAC, 50Hz) | 3.4 mA  |
| Current Rating                       | 45 A    |
| Operating Voltage                    | 440 VAC |

### Mechanical Attachment

|                    |         |
|--------------------|---------|
| Product Mount Type | Chassis |
|--------------------|---------|

### Usage Conditions

|                             |             |
|-----------------------------|-------------|
| Operating Temperature Range | -10 – 40 °C |
|-----------------------------|-------------|

## Product Compliance

[For compliance documentation, visit the product page on TE.com>](#)



|   |   |
|---|---|
| EU RoHS Directive 2011/65/EU                  | Compliant   |
| EU ELV Directive 2000/53/EC                   | Compliant   |
| China RoHS 2 Directive MIIT Order No 32, 2016 | No Restricted Materials Above Threshold   |
| EU REACH Regulation (EC) No. 1907/2006        | Current ECHA Candidate List: JUNE 2024 (241)<br>Candidate List Declared Against: JUNE 2023 (235)<br>Does not contain REACH SVHC |
| Halogen Content                               | Not Low Halogen - contains Br or Cl > 900 ppm.  |
| Solder Process Capability                     | Not applicable for solder process capability  |

Product Compliance Disclaimer

This information is provided based on reasonable inquiry of our suppliers and represents our current actual knowledge based on the information they provided. This information is subject to change. The part numbers that TE has identified as EU RoHS compliant have a maximum concentration of 0.1% by weight in homogenous materials for lead, hexavalent chromium, mercury, PBB, PBDE, DBP, BBP, DEHP, DIBP, and 0.01% for cadmium, or qualify for an exemption to these limits as defined in the Annexes of Directive 2011/65/EU (RoHS2). Finished electrical and electronic equipment products will be CE marked as required by Directive 2011/65/EU. Components may not be CE marked. Additionally, the part numbers that TE has identified as EU ELV compliant have a maximum concentration of 0.1% by weight in homogenous materials for lead, hexavalent chromium, and mercury, and 0.01% for cadmium, or qualify for an exemption to these limits as defined in the Annexes of Directive 2000/53/EC (ELV). Regarding the REACH Regulation, the information TE provides on SVHC in articles for this part number is based on the latest European Chemicals Agency (ECHA) 'Guidance on requirements for substances in articles' posted at this URL: <https://echa.europa.eu/guidance-documents/guidance-on-reach>

### Compatible Parts



TE Part # CAT-C8114-AY61  
3 Phase Filters, Corcom AYO Series



TE Part # CAT-C8114-A11  
EMI Filter Accessories, Corcom A Series

### Also in the Series | Corcom AYT



3-Phase Filters(4)

## Customers Also Bought



TE Part #2-1630012-8  
HSC150 22R 5%



TE Part #843473-1  
EXTRACTION TOOL



TE Part #2-1761711-3  
IDC LOW PRO HDR 10P VERT LG LA



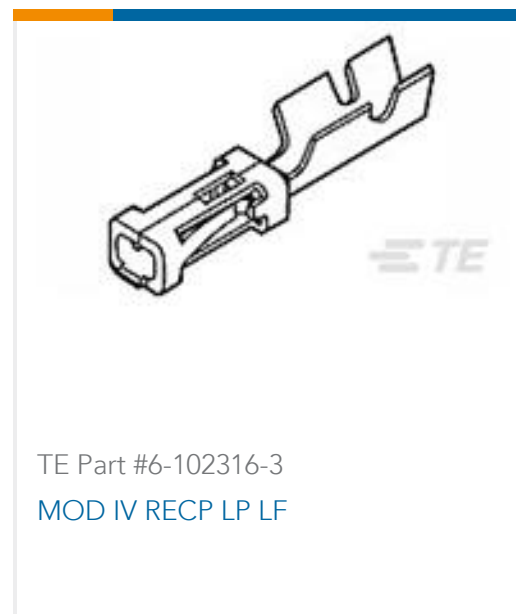
TE Part #6116522-1  
INV MJ,1X2,PNL GRD,SHLD



TE Part #557313-1  
MOUNTING ADAPTR,AMPINERGY  
WTW



TE Part #794615-8  
PANEL MT DBL ROW HSG 8 POS



TE Part #6-102316-3  
MOD IV RECP LP LF



TE Part #1-1437558-4  
MTA106F=(MSTA) SW TOG SPDT



TE Part #556136-2  
CONT,AMPINERGY WTW,LS PC,10-12



TE Part #556137-2  
HSG,AMPINERGY WTW,1 POS,  
BLACK

## Documents

### Product Drawings

45AYT6C J0=F7476

English

### CAD Files

Customer View Model

[ENG\\_CVM\\_CVM\\_6609073-3\\_A.2d\\_dxf.zip](#)

English

Customer View Model

[ENG\\_CVM\\_CVM\\_6609073-3\\_A.3d\\_igs.zip](#)

English

Customer View Model

[ENG\\_CVM\\_CVM\\_6609073-3\\_A.3d\\_stp.zip](#)

English

### 3D PDF

3D

Customer View Model



[ENG\\_CVM\\_6609073-3\\_D.3d\\_igs.zip](#)

English

**Customer View Model**

[ENG\\_CVM\\_6609073-3\\_D.3d\\_stp.zip](#)

English

**Customer View Model**

[ENG\\_CVM\\_6609073-3\\_D.2d\\_dxf.zip](#)

English

**3D PDF**

3D

By downloading the CAD file I accept and agree to the [Terms and Conditions](#) of use.

### Datasheets & Catalog Pages

[1654001\\_CORCOM\\_PRODUCT\\_GUIDE](#)

English

[1654001\\_Corcom\\_Product\\_Guide\\_A\\_Series](#)

English

[Corcom Combined Selector Charts](#)

English

[1-1654250-1\\_CORCOM\\_EMI\\_RFI\\_QRG](#)

English

[1773449-2\\_CORCOM\\_HIGH\\_CURRENT](#)

English