

PLEASE CHECK WWW.MOLEX.COM FOR LATEST PART INFORMATION

Part Number: [0457763004](#)
Status: **Active**
Description: Mini-Fit Jr. Plug Housing, Dual Row, 4 Circuits, UL 94V-0, Natural

Documents:

3D Model	Product Specification PS-5556-001-001 (PDF)
Drawing (PDF)	Packaging Specification PK-45776-001-000 (PDF)
3D Model (PDF)	RoHS Certificate of Compliance (PDF)

Agency Certification

UL E29179

General

Product Family	Crimp Housings
Series	45776
Application	Power, Wire-to-Board, Wire-to-Wire
Product Name	Mini-Fit Jr.
UPC	889056685542

Physical

Circuits (maximum)	4
Color - Resin	Natural
Flammability	94V-0
Gender	Plug
Glow-Wire Capable	No
Lock to Mating Part	Yes
Material - Resin	Nylon
Net Weight	3.800/g
Number of Rows	2
Packaging Type	Bag
Panel Mount	Yes
Pitch - Mating Interface	4.20mm
Polarized to Mating Part	Yes
Stackable	No
Temperature Range - Operating	-40° to +105°C

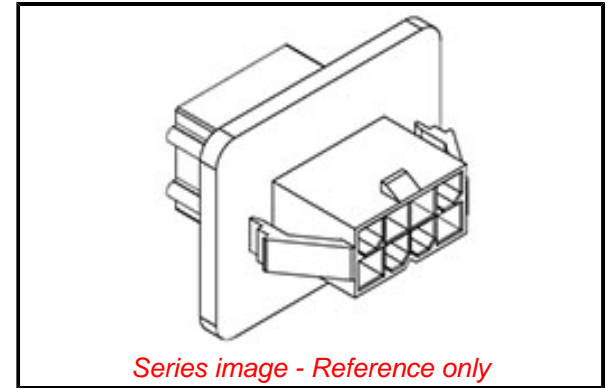
Solder Process Data

Lead-freeProcess Capability N/A

Material Info

Reference - Drawing Numbers

Packaging Specification	PK-45776-001-000
Product Specification	PS-5556-001-001
Sales Drawing	SD-45776-001-000



EU ELV

Not Relevant

EU RoHS

Compliant

REACH SVHC

Not Contained Per -
D(2020)4578-DC (25
June 2020)

Halogen-Free

Status

Low-Halogen

For more information, please visit [Contact US](#)

China ROHS

ELV

RoHS Phthalates

China RoHS

Green Image

Not Relevant

Not Contained

Search Parts in this Series

[45776 Series](#)

Mates With

Mini-Fit Receptacle Housing [5557](#) , [46992](#)

Use With

Mini-Fit Male Crimp Terminal [5558](#)