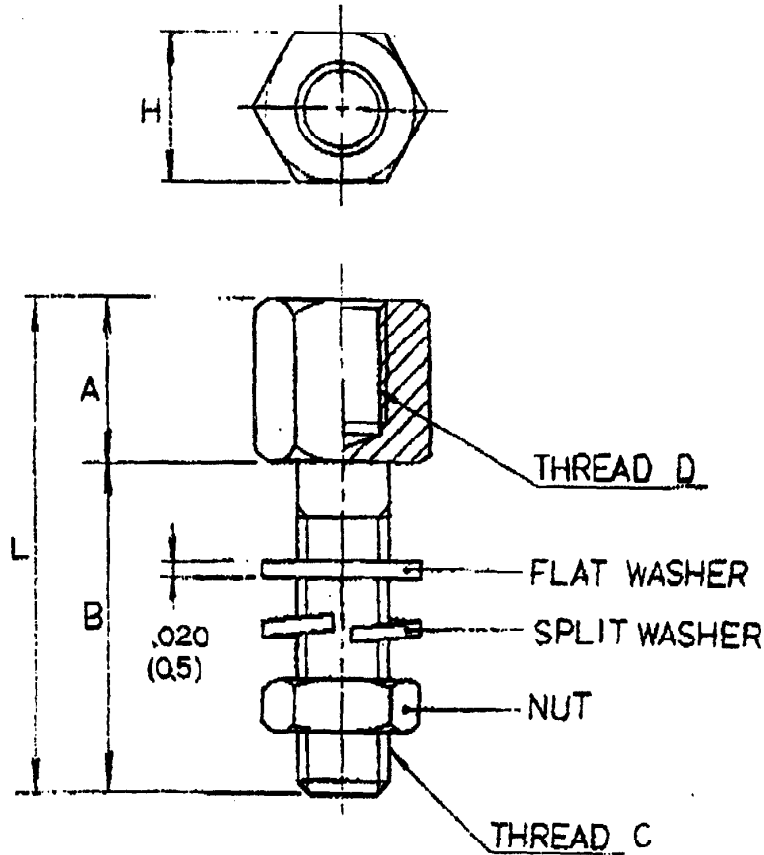




Technical Library



L ±.020 (±0.5)	A ±.020 (±0.5)	B ±.020 (±0.5)	H	THREAD C	THREAD D
.50 (12.7)	.189 (4.8) ²⁵	.311 (7.9)	.189 (4.8)	#4-40UNC-2A	#4-40UNC-2B
.70 (17.8)	.189 (4.8) ²⁵	.512 (13.0)	.189 (4.8)	#4-40UNC-2A	#4-40UNC-2B

RS Components shall not be liable for any liability or loss of any nature (howsoever caused and whether or not due to RS components' negligence) which may result from the use of any information provided in RS literature.