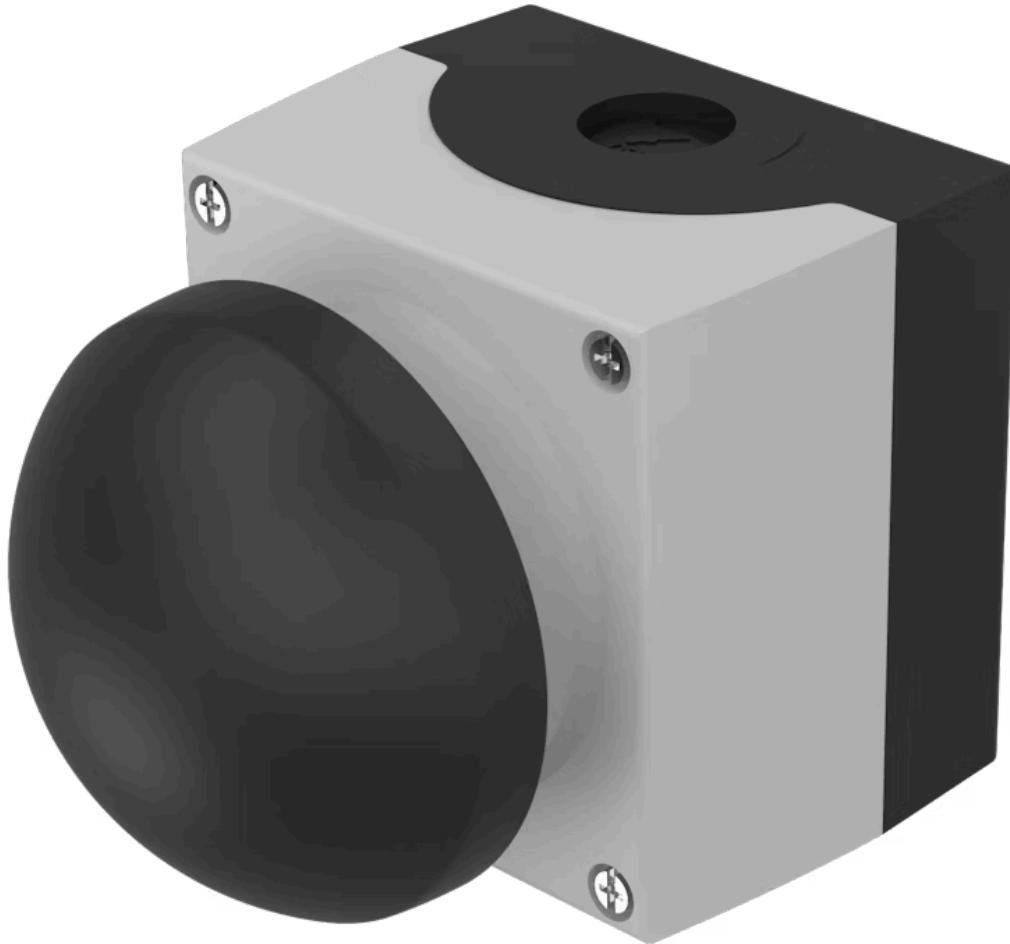


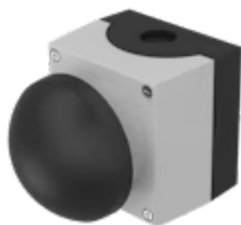
Actuator

45-
481.1810



<https://eao.com/p/45-481.1810>

Your product:



45-481.1810 Actuator

FRONT

Front dimension: 85 mm x 85 mm

MOUNTING

Design: raised

Component mounting type: Base mounting

OPERATING-/INDICATION PART

Lens illumination: non illuminative

Lens colour: Black

Lens material: Plastic

Lens optics: opaque

ELECTRICAL CHARACTERISTICS

Rated Operational Voltage Ue: At AC: rated value 5 ... 500 V
At DC: rated value 5 ... 500 V

MECHANICAL CHARACTERISTIC

Weight: 0.39 kg

Switching action: Momentary

Switching system: Slow-make switching element

Release type: Pull unlock

AMBIENT CONDITION

IP front protection:	IP66, IP67, IP69K
Storage temperature:	- 40 °C ... + 80 °C
Climate resistance:	During operation according to IEC 60721: 3K6, 3C3, 3S2, 3M6, 3B2
Shock resistance:	According to IEC 60068-2-27: Sinusoidal half-wave 50 g / 11 ms
Vibration resistance:	According to IEC 60068-2-6: 10 ... 500 Hz: 5 g

OTHER

Short Description: Actuator, 85 mm x 85 mm, non illuminative, Black, Plastic, opaque, Momentary, IP66, IP67, IP69K, Pull unlock

Housing colour: Grey

Housing material: Plastic

Dimension drawings:

