

Actuator

45-
2C36.2920.000



<https://eao.com/p/45-2C36.2920.000>

Your product:



45-2C36.2920.000 Actuator

FRONT

Front dimension:	Ø 40 mm
Front bezel colour:	Silver
Front bezel material:	Metal

OPERATING-/INDICATION PART

Lens illumination:	non illuminative
Lens colour:	Red
Lens shape:	mushroom-head
Lens material:	Plastic
Lens optics:	opaque

MECHANICAL CHARACTERISTIC

Weight:	0.097 kg
Switching action:	Maintained
Release type:	Twist to unlock
Mechanical lifetime:	300 000 cycles of operation
Operating frequency:	Max. 600/h

AMBIENT CONDITION

Vibration resistance:	According to IEC 60068-2-6: 2 ... 500 Hz: 5 g
Shock resistance:	According to IEC 60068-2-27: Sinusoidal half-wave 50 g / 11 ms
Climate resistance:	During operation according to IEC 60721: 3K6, 3C3, 3S2, 3M6

Operating temperature: - 25 °C ... + 70 °C

Storage temperature: - 40 °C ... + 80 °C

OTHER

Hints: Application as per DIN EN ISO 13850 and EN 60204-1

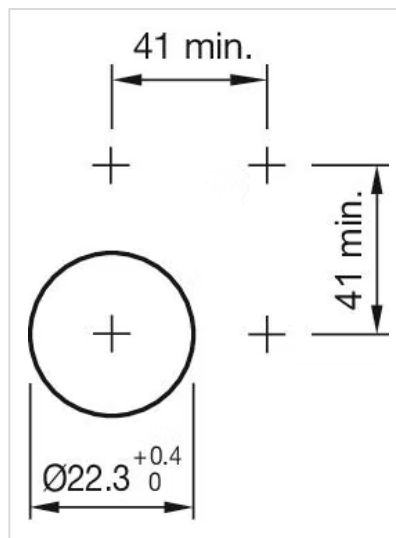
Dimension: Ø 40 mm

Housing colour: Silver

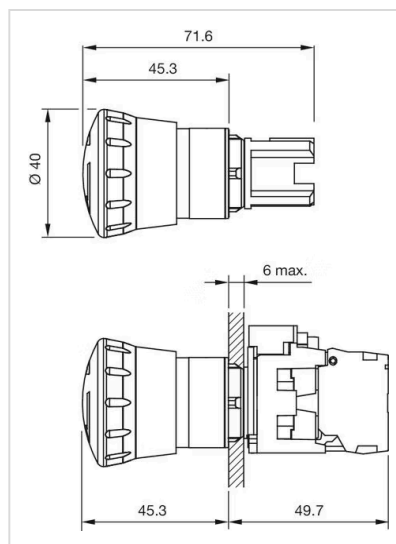
Housing material: Metal

Short Description: Actuator, Ø 40 mm, mushroom-head, non illuminative, Red, Plastic, opaque, Silver, Metal, Maintained, Twist to unlock

Mounting cut-outs:



Dimension drawings:



Wiring diagrams:

