

# Actuator

45-  
2C36.1920.000



<https://eao.com/p/45-2C36.1920.000>

Your product:

---



## 45-2C36.1920.000 Actuator

### FRONT

<b>Front dimension:</b>	Ø 40 mm
<b>Front bezel colour:</b>	Black
<b>Front bezel material:</b>	Plastic

### OPERATING-/INDICATION PART

<b>Lens illumination:</b>	non illuminative
<b>Lens colour:</b>	Red
<b>Lens shape:</b>	mushroom-head
<b>Lens material:</b>	Plastic
<b>Lens optics:</b>	opaque

### MECHANICAL CHARACTERISTIC

<b>Weight:</b>	0.045 kg
<b>Switching action:</b>	Maintained
<b>Release type:</b>	Twist to unlock
<b>Mechanical lifetime:</b>	300 000 cycles of operation
<b>Operating frequency:</b>	Max. 600/h

### AMBIENT CONDITION

<b>Shock resistance:</b>	According to IEC 60068-2-27: Sinusoidal half-wave 50 g / 11 ms
<b>Vibration resistance:</b>	According to IEC 60068-2-6: 2 ... 500 Hz: 5 g
<b>Climate resistance:</b>	During operation according to IEC 60721: 3K6, 3C3, 3S2, 3M6

**Operating temperature:** - 25 °C ... + 70 °C

**Storage temperature:** - 40 °C ... + 80 °C

## OTHER

**Hints:** Application as per DIN EN ISO 13850 and EN 60204-1

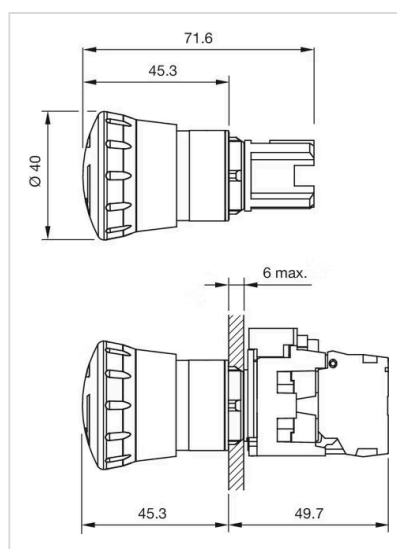
**Dimension:** Ø 40 mm

**Housing colour:** Yellow

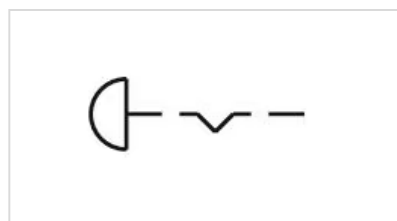
**Housing material:** Plastic

**Short Description:** Actuator, Ø 40 mm, mushroom-head, non illuminative, Red, Plastic, opaque, Black, Plastic, Maintained, Twist to unlock

**Dimension drawings:**



**Wiring diagrams:**



**Mounting cut-outs:**

