



RAYCHEM

TE Internal #: 8993593002

Spec 44, Operating Voltage 600 V, Tin-Plated Copper, 12 AWG

Wire Size, 3.31 mm² Wire Size, Operating Temperature Range -65 – 120 °C, Hook Up Wire

[View on TE.com >](#)

Wire & Cable > Hook Up Wire



Cable Type: **Spec 44**

Operating Voltage: **600 V**

Wire & Cable Insulation Material: **Radiation-Crosslinked, Extruded Polyalkene**

Conductor Material: **Tin-Plated Copper**

Wire Size: **12 AWG**

Features

Product Type Features

Cable Style	Special Construction
-------------	----------------------

Configuration Features

Number of Conductors	7
----------------------	---

Electrical Characteristics

Operating Voltage	600 V
-------------------	-------

Body Features

Wire & Cable Insulation Material	Radiation-Crosslinked, Extruded Polyalkene
Conductor Material	Tin-Plated Copper
Wire Color (Base)	Yellow
Wire Color (Stripe)	Green

Dimensions

Outside Cable Diameter	2.64 mm[.104 in]
Conductor Diameter Range	2.1 mm[.083 in]
Wire Size	3.31 mm ²

Usage Conditions

Cable Type	Spec 44
Operating Temperature Range	-65 – 120 °C



Other

Product Source	UK
----------------	----

Product Compliance

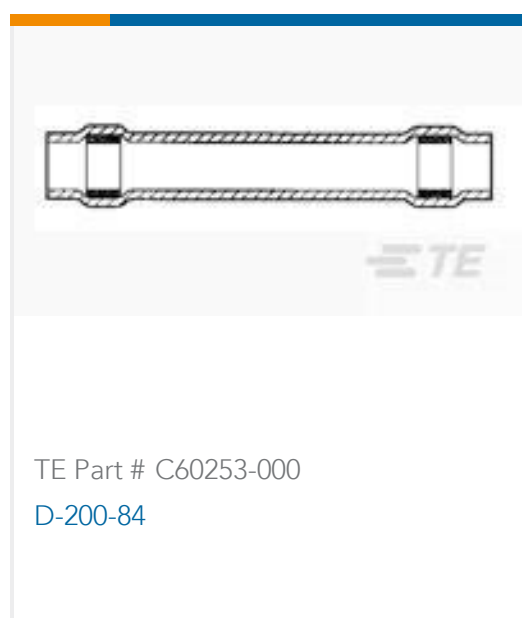
[For compliance documentation, visit the product page on TE.com>](#)

EU RoHS Directive 2011/65/EU	Compliant
EU ELV Directive 2000/53/EC	Compliant
China RoHS 2 Directive MIIT Order No 32, 2016	No Restricted Materials Above Threshold
EU REACH Regulation (EC) No. 1907/2006	Current ECHA Candidate List: JUNE 2024 (241) Candidate List Declared Against: JUNE 2024 (241) Does not contain REACH SVHC
Halogen Content	Out of Scope - excluded from Halogen requirements
Solder Process Capability	Not applicable for solder process capability

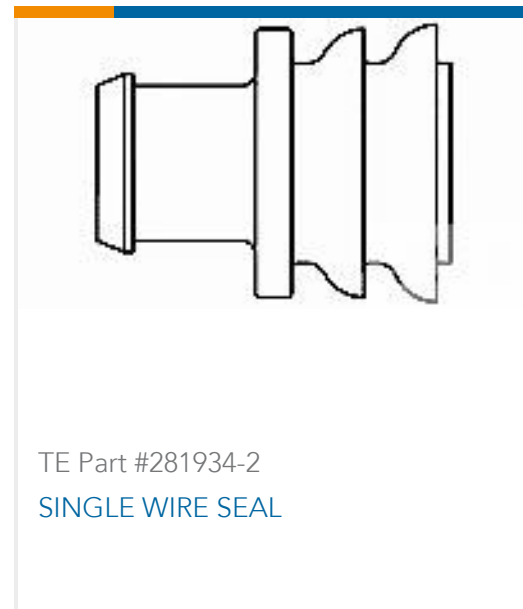
Product Compliance Disclaimer

This information is provided based on reasonable inquiry of our suppliers and represents our current actual knowledge based on the information they provided. This information is subject to change. The part numbers that TE has identified as EU RoHS compliant have a maximum concentration of 0.1% by weight in homogenous materials for lead, hexavalent chromium, mercury, PBB, PBDE, DBP, BBP, DEHP, DIBP, and 0.01% for cadmium, or qualify for an exemption to these limits as defined in the Annexes of Directive 2011/65/EU (RoHS2). Finished electrical and electronic equipment products will be CE marked as required by Directive 2011/65/EU. Components may not be CE marked. Additionally, the part numbers that TE has identified as EU ELV compliant have a maximum concentration of 0.1% by weight in homogenous materials for lead, hexavalent chromium, and mercury, and 0.01% for cadmium, or qualify for an exemption to these limits as defined in the Annexes of Directive 2000/53/EC (ELV). Regarding the REACH Regulation, the information TE provides on SVHC in articles for this part number is based on the latest European Chemicals Agency (ECHA) 'Guidance on requirements for substances in articles' posted at this URL: <https://echa.europa.eu/guidance-documents/guidance-on-reach>

Compatible Parts



Customers Also Bought



Documents

Product Drawings

44M9976-12-45

English

Datasheets & Catalog Pages

1654025_Sec9_SPEC44

English